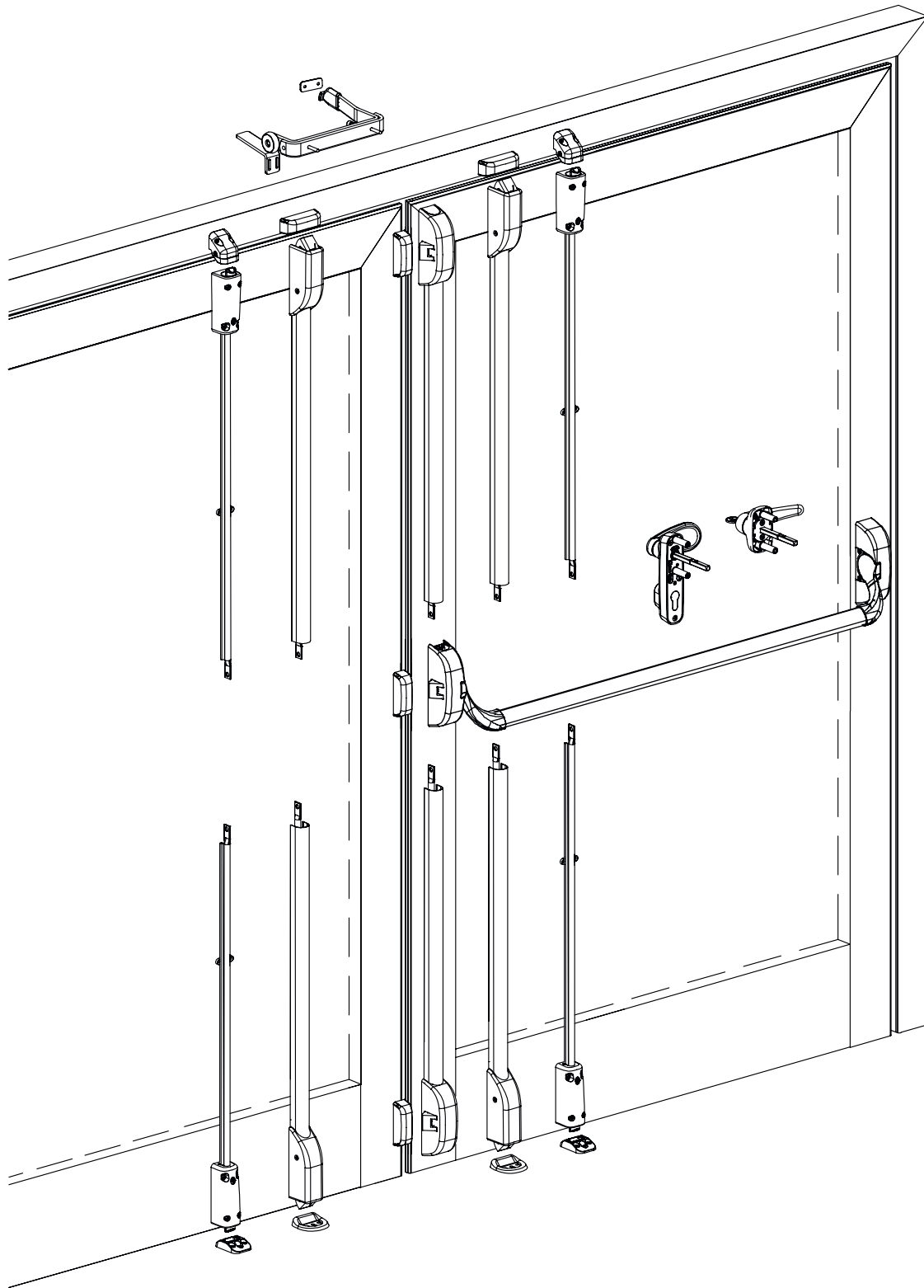
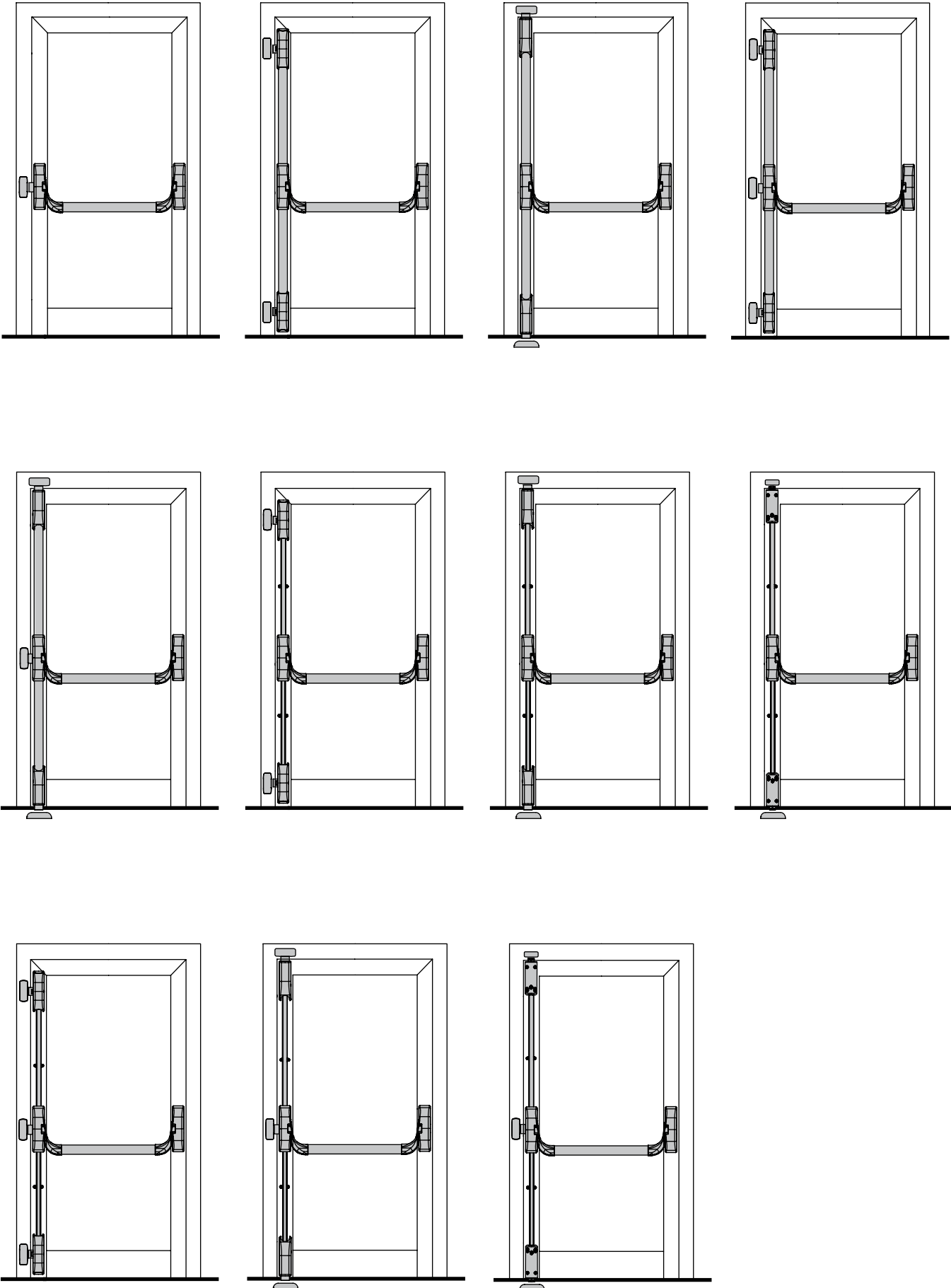


PANAMA BAR









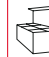
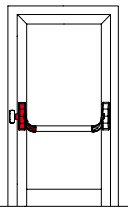
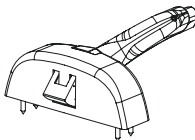
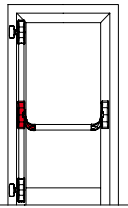
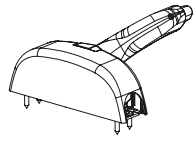
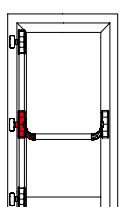
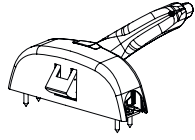
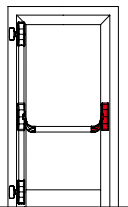
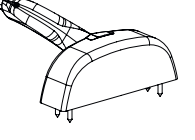
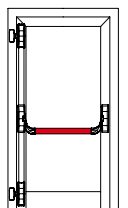
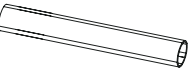
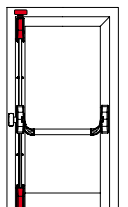
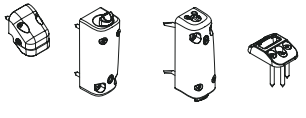
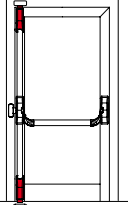
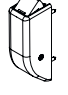
MANIGLIONE ANTIPANICO REVERSIBILE MODULARE PANAMA - MODULAR AND REVERSIBLE PANIC EXIT DEVICE PANAMA
ANTIPANIQUE RÉVERSIBLE MODULAIRE PANAMA - ANTIPANICO REVERSIBLE MODULAR PANAMA
PUXADOR ANTIPÁNICO REVERSÍVEL MODULAR PANAMA - REVERSÍBEL MODULIËREN PANIKTÚR VERSCHLUSS PANAMA
PANIEKSLUITING, OMKEERBAAR EN MODULAIR PANAMA - UNIWERSALNY SYSTEM ANTYPANICZNY PANAMA
ΜΗΧΑΝΙΣΜΟΣ ΕΞΟΔΟΥ ΠΑΝΙΚΟΥ PANAMA - ΜΟΔΥΛΪΟΝ ΟΥΣΤΡΟΙΩΜΑΤΟ ΑΝΤΙΠΑΝΙΚΟΥ ΡΥΣΚΑ PANAMA
REVERZIBILNA MODULARNA ANTIPANIK RUCSKA PANAMA
PANAMA 系列逃生门配件










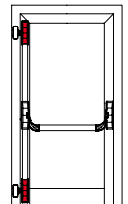
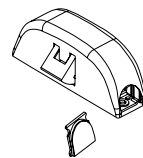
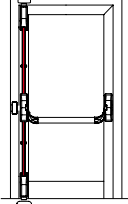
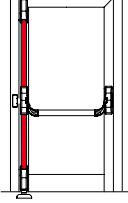
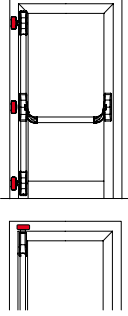

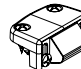


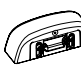



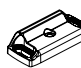
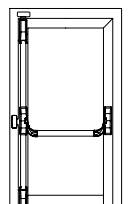






PANAMA BAR

MANIGLIONE ANTIPANICO REVERSIBILE MODULARE PANAMA - MODULAR AND REVERSIBLE PANIC EXIT DEVICE PANAMA
 ANTIPANIQUE RÉVERSIBLE MODULAIRE PANAMA - ANTIPANICO REVERSIBLE MODULAR PANAMA
 PUXADOR ANTIPÁNICO REVERSÍVEL MODULAR PANAMA - REVERSÍBEL MODULIËREN PANIKTÚR VERSCHLUSS PANAMA
 PANIEKSLUITING, OMKEERBAAR EN MODULAIR PANAMA - UNIWERSALNY SYSTEM ANTYPANICZNY PANAMA
 ΜΗΧΑΝΙΣΜΟΣ ΕΞΟΔΟΥ ΠΑΝΙΚΟΥ PANAMA - ΜΟΔΥΛΙΑΙΟ ΣΥΣΤΗΜΑ ΑΝΤΥΠΑΝΙΚΟΥ ΠΑΝAMA
 REVERZIBILNA MODULARNA ANTIPANIK RUSKA PANAMA
 PANAMA 系列逃生门配件

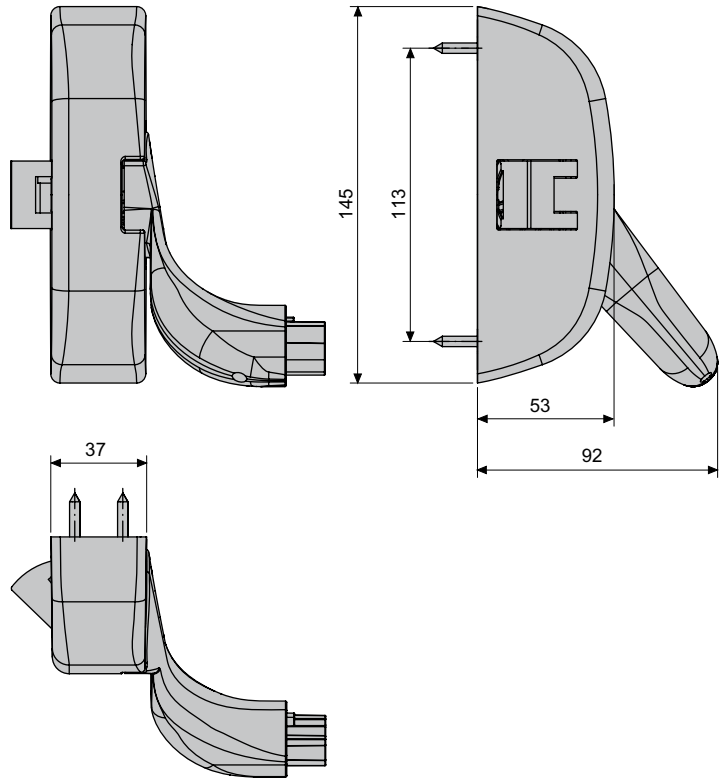
											
		8012									5
		8012i	●						●		25
		8015					●		●	●	5
		8020		●					●	●	5
		8020i							●	●	25
		8022	●						●	●	5
		8022i							●	●	25
		8032							●		5
		8032i	●						●		25
		8035					●		●	●	5
		8039							●	●	5
		8040							●	●	5
		8040i							●	●	25
		8050			●				●		5
		8100							●		5
		8100i							●		25
		8105							●	●	5
		8105i							●	●	25
		8105X							●		5
		8110							●		5
		8110X							●		5
		8401							●		5
		8401i							●		25
		8410							●		5
		8410i							●		25
		8415					●		●	●	5

										
		8430								5
		8430i					●			25
		8435				●		●	●	5
		8440i								25
		8442i					●	●		25
		8444								5
		8450								5
		8450i								25
		8452					●	●		5
		8452i								25
		8454								5
		8500								5
		8500i					●			25
		8503								5
		8503i					●			25
		8504F								5
		8504Fi					●	●		25
		8504X								5
		8505								5
		8505i					●			25
		8520								
		8520A								
		8521					●	●		1
		8521A								
		8525								5
	8525i						●		25	
	8526								5	
	8527								5	
	8527i						●		25	
	8529								5	
	8529i						●		25	
		8540X								5
		8540Xi						●	●	25
		8542X								5
		8542Xi						●	●	25

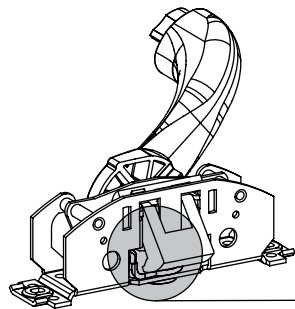
PANAMA BAR

MANIGLIONE ANTIPANICO REVERSIBILE MODULARE PANAMA - MODULAR AND REVERSIBLE PANIC EXIT DEVICE PANAMA
 ANTIPANIQUE RÉVERSIBLE MODULAIRE PANAMA - ANTIPANICO REVERSIBLE MODULAR PANAMA
 PUXADOR ANTIPÁNICO REVERSÍVEL MODULAR PANAMA - REVERSÍBEL MODULIEREN PANIKTÜR VERSCHLUSS PANAMA
 PANIEKSLUITING, OMKEERBAAR EN MODULAIR PANAMA - UNIWERSALNY SYSTEM ANTYPANICZNY PANAMA
 ΜΗΧΑΝΙΣΜΟΣ ΕΞΟΔΟΥ ΠΑΝΙΚΟΥ PANAMA - ΜΟΔΥΛΪΟ ΕΡΓΑΣΤΗΡΙΟ ΑΝΤΙΠΑΝΙΚΟΥ PANAMA
 REVERZIBILNA MODULARNA ANTIPIANIK RUCSKA PANAMA
 PANAMA 系列逃生门配件

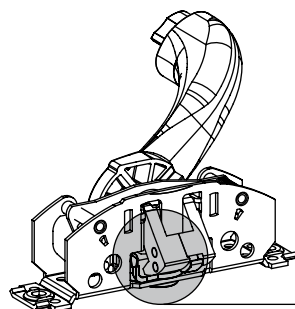
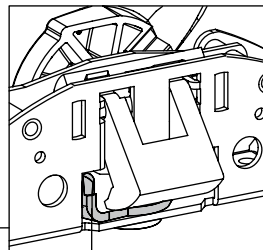
8012
8012i
8015



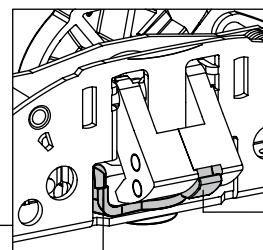
8012		5	
8012i		25	
8015	 	5	

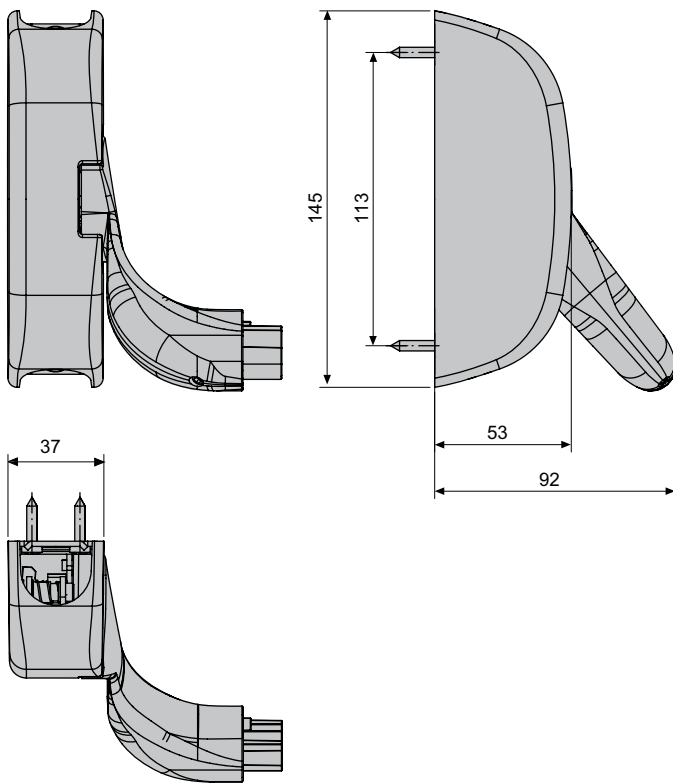


Art. 8012



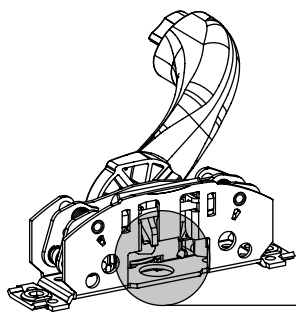
Art. 8015



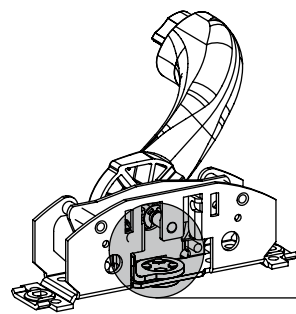
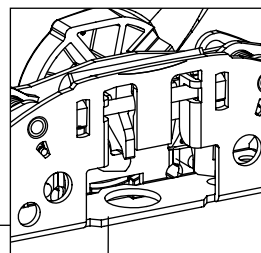


8020
8020i
8022
8022i

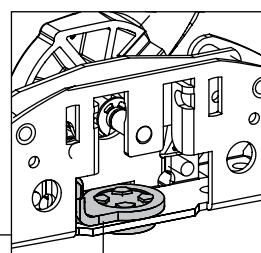
8020		5
8020i		25
8022		5
8022i		25



Art. 8020/8020i



Art. 8022/8022i

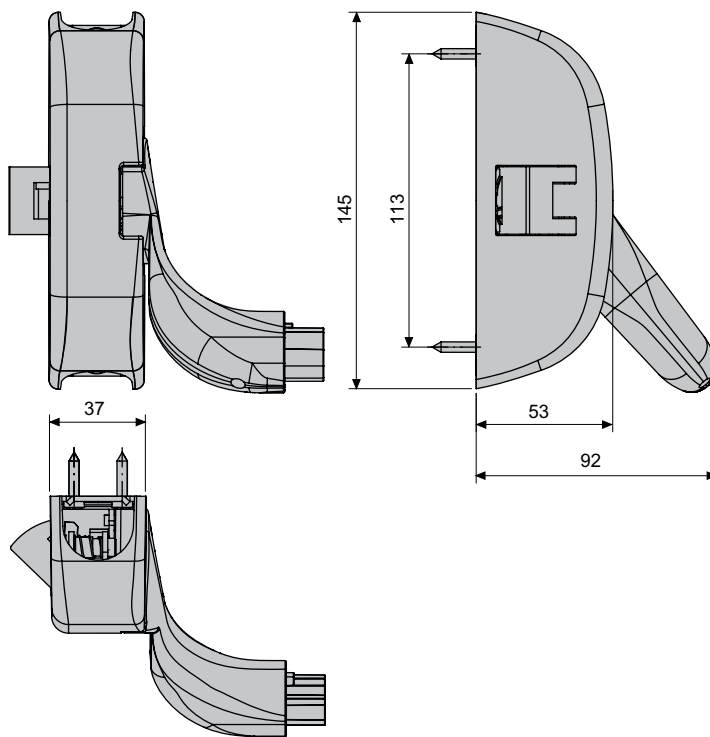


PANAMA BAR

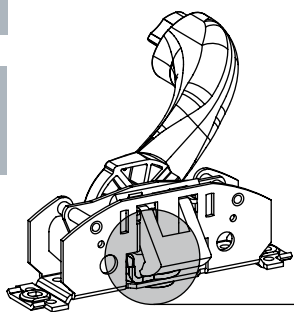
MANIGLIONE ANTIPANICO REVERSIBILE MODULARE PANAMA - MODULAR AND REVERSIBLE PANIC EXIT DEVICE PANAMA
 ANTIPANIQUE RÉVERSIBLE MODULAIRE PANAMA - ANTIPANICO REVERSIBLE MODULAR PANAMA
 PUXADOR ANTIPÁNICO REVERSÍVEL MODULAR PANAMA - REVERSÍBEL MODULIEREN PANIKTÜR VERSCHLUSS PANAMA
 PANIEKSLUITING, OMKEERBAAR EN MODULAIR PANAMA - UNIWERSALNY SYSTEM ANTYPANICZNY PANAMA
 ΜΗΧΑΝΙΣΜΟΣ ΕΞΟΔΟΥ ΠΑΝΙΚΟΥ PANAMA - ΜΟΔΥΛΗΟΕ ΥΣΤΡΟΙΣΤΕΩ ΟΤΚΡΥΒΑΝΗΙΑ Β ΧΕΡΕΖΒΥΧΑΙΝΗΥΧ ΣΗΤΡΑΚΗΙΑ PANAMA
 REVERZIBILNA MODULARNA ANTIPANIK RUSKA PANAMA

PANAMA 系列逃生门配件

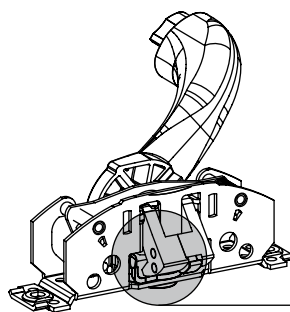
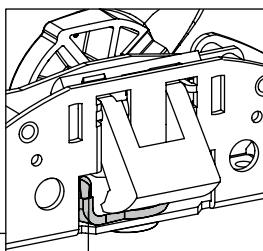
8032
8032i
8035



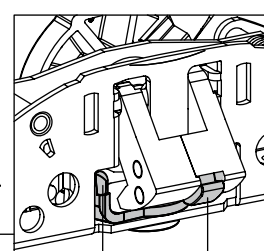
8032		5
8032i		25
8035		5



Art. 8032



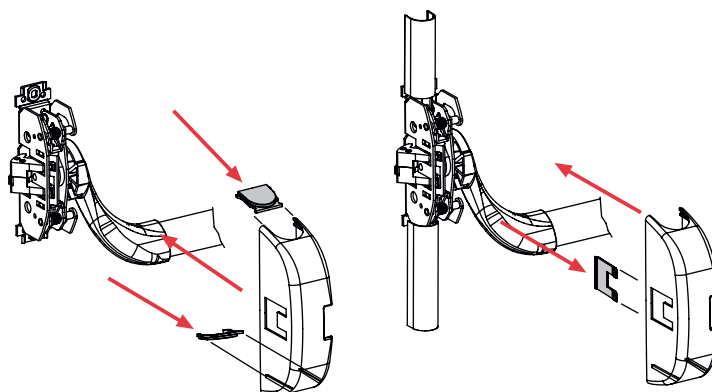
Atr. 8035

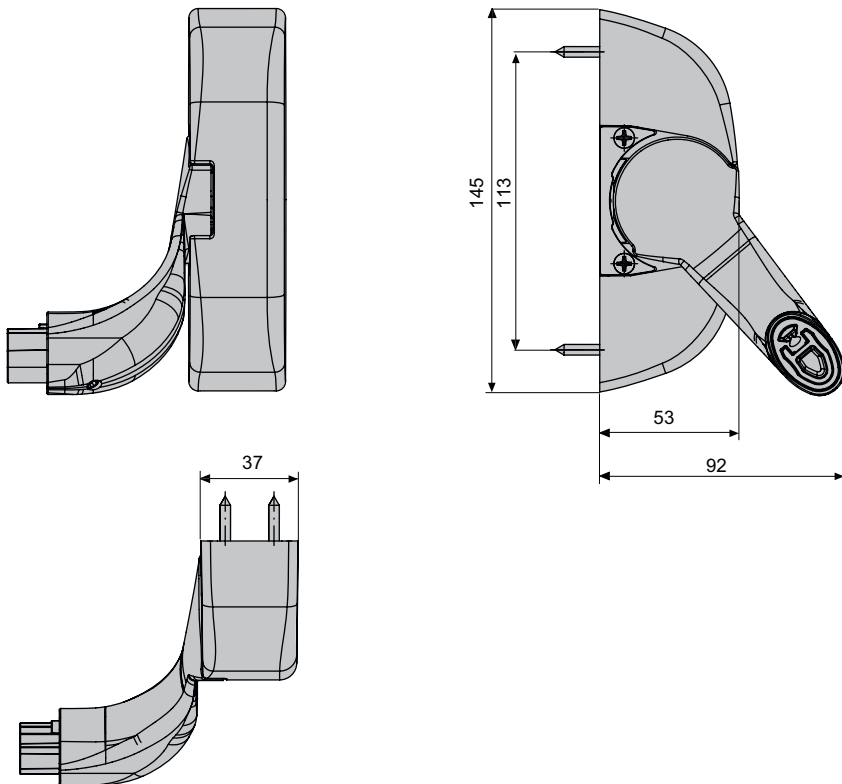


8039



8039		5

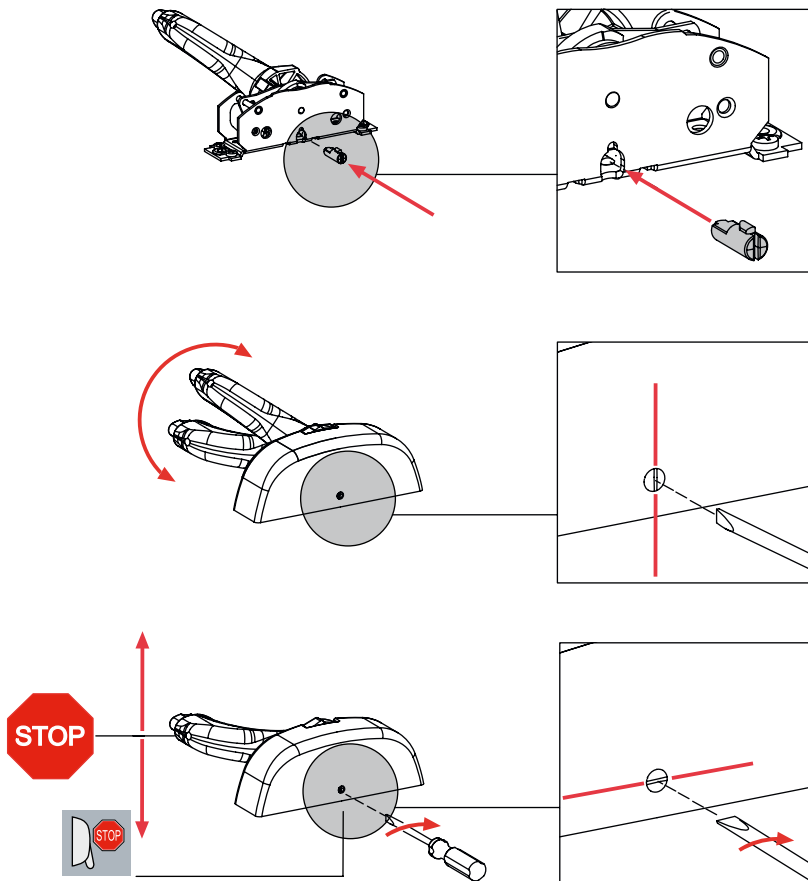




8040
8040i
8050

8040			5
8040i			25
8050			5

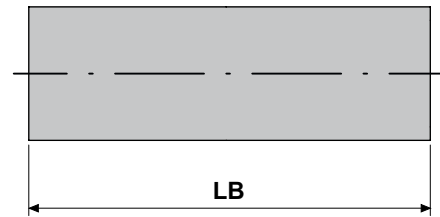
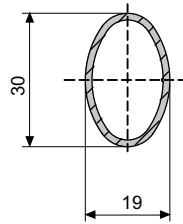
Atrt. 8050



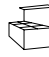




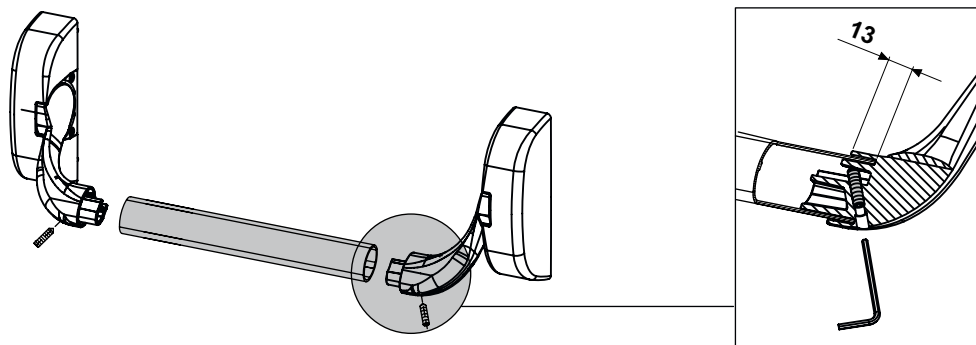
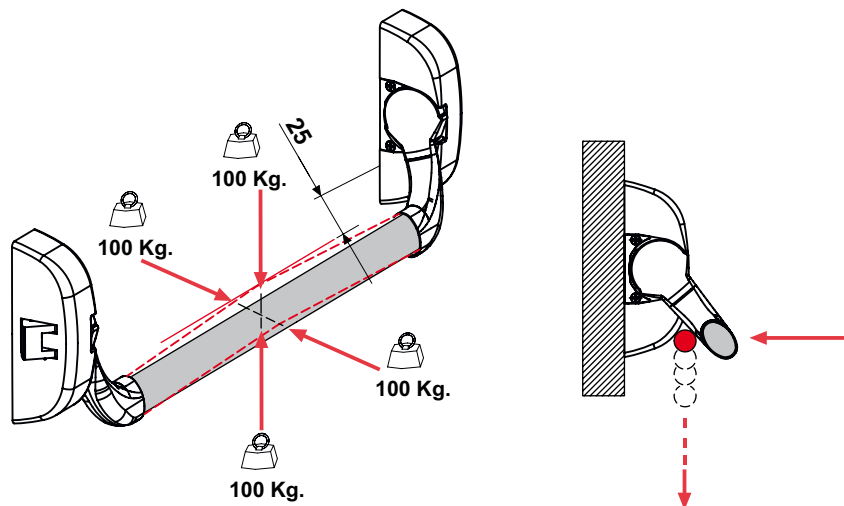
PANAMA BAR

MANIGLIONE ANTIPANICO REVERSIBILE MODULARE PANAMA - MODULAR AND REVERSIBLE PANIC EXIT DEVICE PANAMA
 ANTIPANIQUE RÉVERSIBLE MODULAIRE PANAMA - ANTIPANICO REVERSIBLE MODULAR PANAMA
 PUXADOR ANTIPÁNICO REVERSÍVEL MODULAR PANAMA - REVERSÍBEL MODULIEREN PANIKTÜR VERSCHLUSS PANAMA
 PANIEKSLUITING, OMKEERBAAR EN MODULAIR PANAMA - UNIWERSALNY SYSTEM ANTYPANICZNY PANAMA
 ΜΗΧΑΝΙΣΜΟΣ ΕΞΟΔΟΥ ΠΑΝΙΚΟΥ PANAMA - ΜΟΔΥΛΪΟ ΕΥΡΕΤΟ ΟΡΓΑΝΟ ΑΝΕΜΕΤΩΣΤΗΣ ΚΑΤΑΣΤΑΣΗΣ ΠΑΝΙΚΟΥ PANAMA
 REVERZIBILNA MODULARNA ANTIPANIK RUSKA PANAMA
 PANAMA 系列逃生门配件

- 8100
- 8100i
- 8105
- 8105i
- 8105X
- 8110
- 8110X

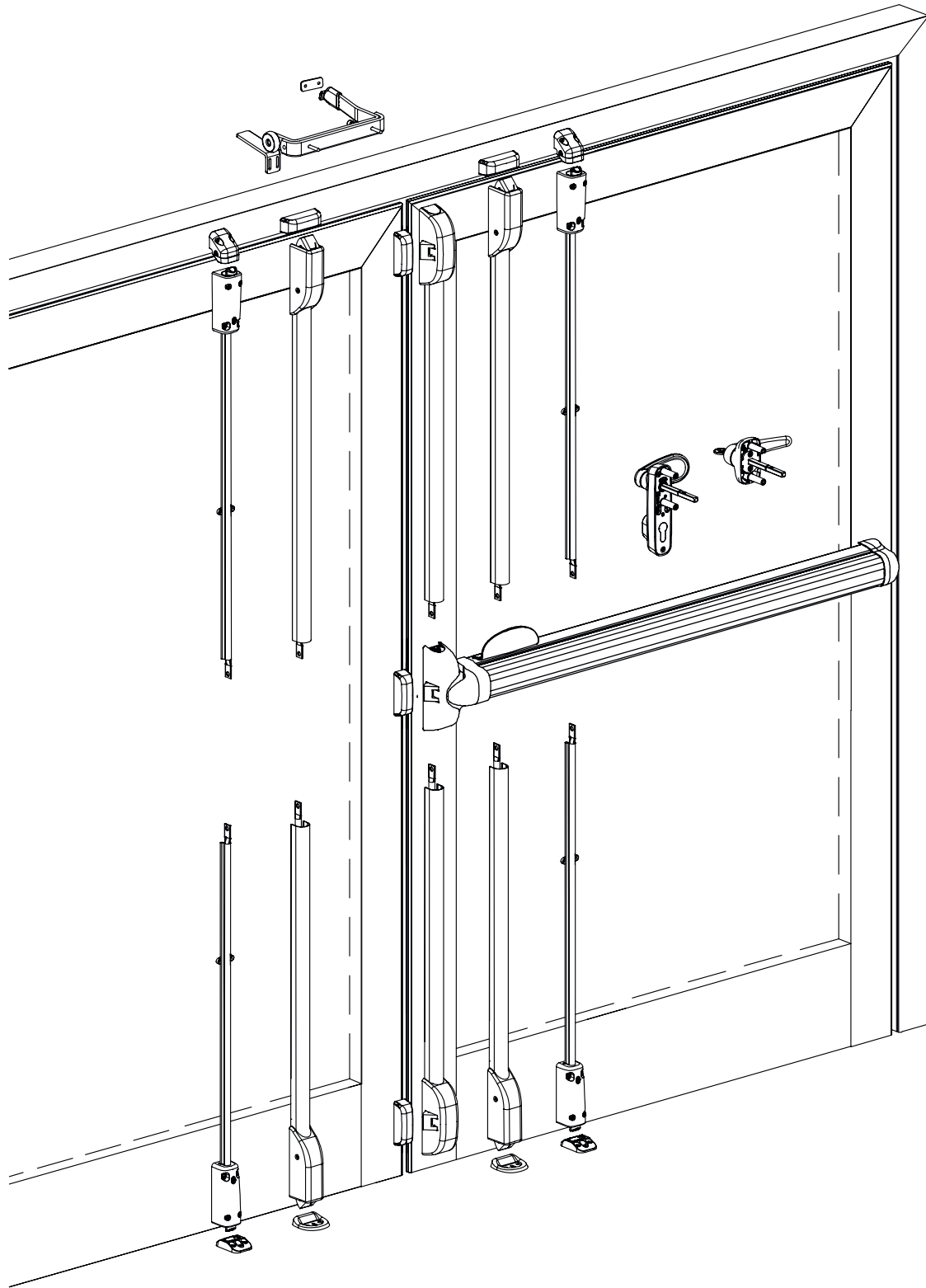


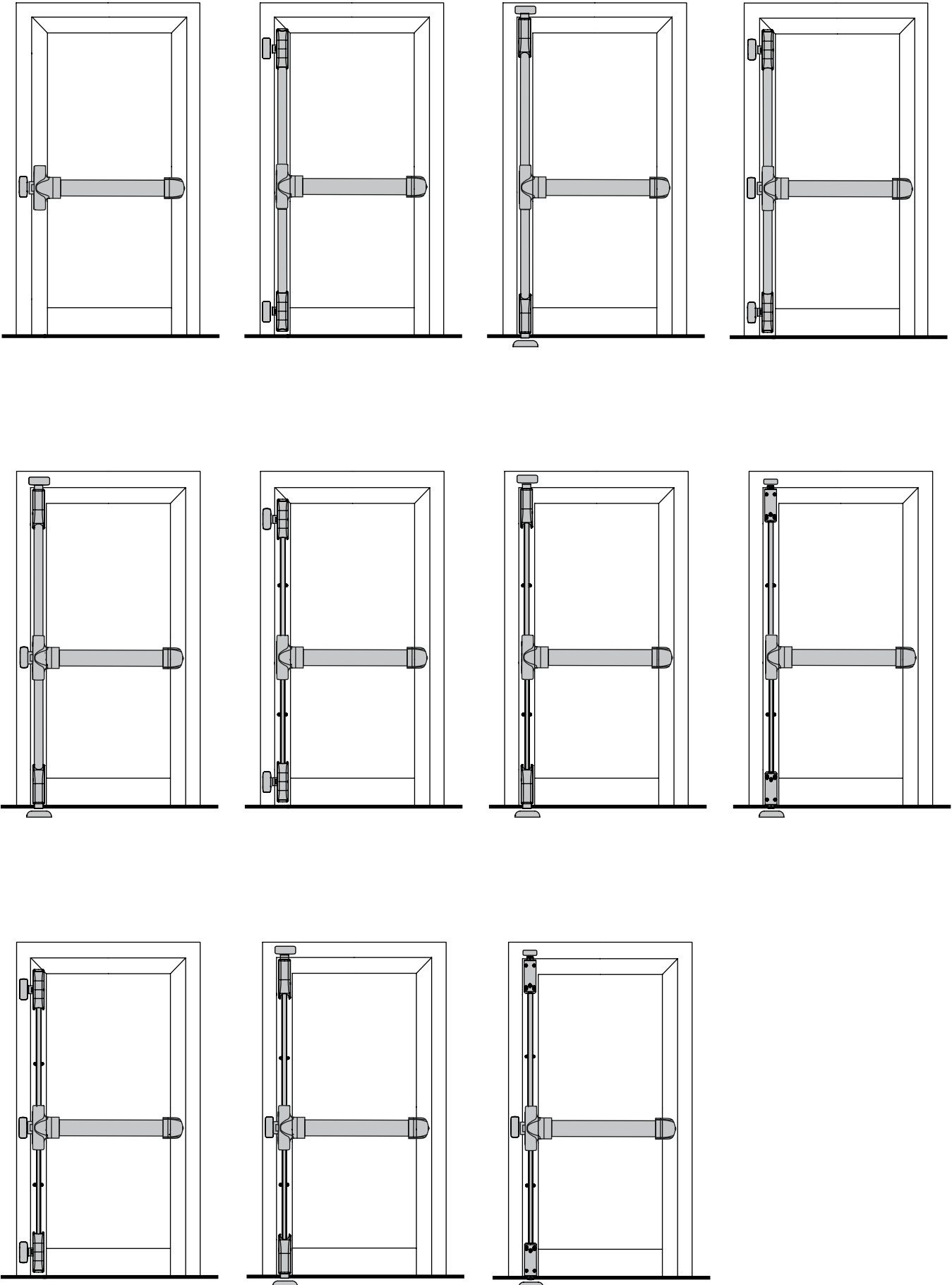
				
		L	LB	
8100		1000	830	5
8100i				25
8105				5
8105i		1300	1130	25
8105X	 AISI 304			5
8110		1500	1330	
8110X	 AISI 304			5



PANAMA PUSH

MANIGLIONE ANTIPANICO REVERSIBILE MODULARE PANAMA - MODULAR AND REVERSIBLE PANIC EXIT DEVICE PANAMA
ANTIPANIQUE RÉVERSIBLE MODULAIRE PANAMA - ANTIPANICO REVERSIBLE MODULAR PANAMA
PUXADOR ANTIPÁNICO REVERSÍVEL MODULAR PANAMA - REVERSÍBEL MODULIEREN PANIKTÜR VERSCHLUSS PANAMA
PANIEKSLUITING, OMKEERBAAR EN MODULAIR PANAMA - UNIWERSALNY SYSTEM ANTYPANICZNY PANAMA
ΜΗΧΑΝΙΣΜΟΣ ΕΞΟΔΟΥ ΠΑΝΙΚΟΥ PANAMA - ΜΟΔΥΛΪΟ ΕΓΚΑΤΑΣΤΑΣΗΣ ΑΝΤΙΠΑΝΙΚΟΥ PANAMA
REVERZIBILNA MODULARNA ANTIPANIK RUCSKA PANAMA
PANAMA 系列逃生门配件









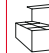
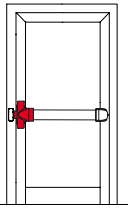
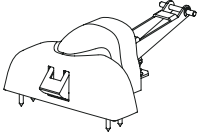
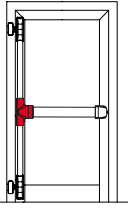
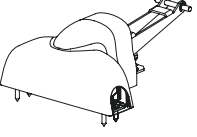
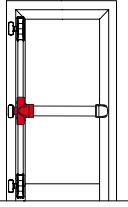
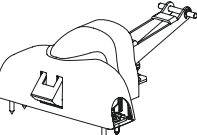
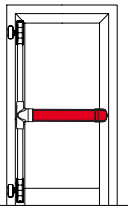
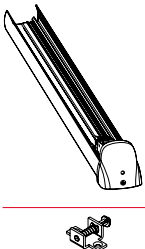
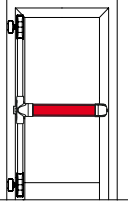
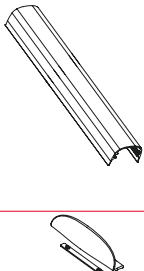
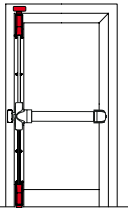
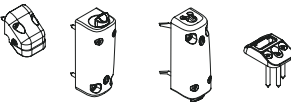
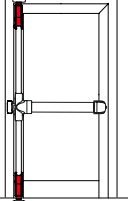
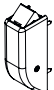











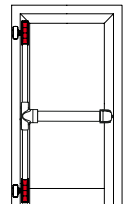
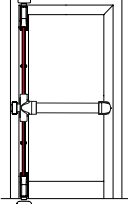
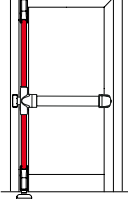
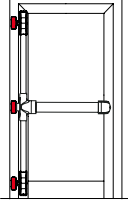
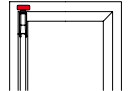






PANAMA PUSH

MANIGLIONE ANTIPANICO REVERSIBILE MODULARE PANAMA - MODULAR AND REVERSIBLE PANIC EXIT DEVICE PANAMA
 ANTIPANIQUE RÉVERSIBLE MODULAIRE PANAMA - ANTIPANICO REVERSIBLE MODULAR PANAMA
 PUXADOR ANTIPÁNICO REVERSÍVEL MODULAR PANAMA - REVERSÍBEL MODULIËREN PANIKTÚR VERSCHLUSS PANAMA
 PANIEKSLUITING, OMKEERBAAR EN MODULAIR PANAMA - UNIWERSALNY SYSTEM ANTYPANICZNY PANAMA
 ΜΗΧΑΝΙΣΜΟΣ ΕΞΟΔΟΥ ΠΑΝΙΚΟΥ PANAMA - ΜΟΔΥΛΪΟ ΕΥΣΤΡΩΒΟ ΟΤΚΡΥΒΑΝΗΡΙΑ Β ΧΕΡΕΖΒΥΧΑΙΝΗΡΧ ΣΗΤΡΑΛΛΩΡΙΑ PANAMA
 REVERZIBILNA MODULARNA ANTIPANIK RUSKA PANAMA

PANAMA 系列逃生门配件

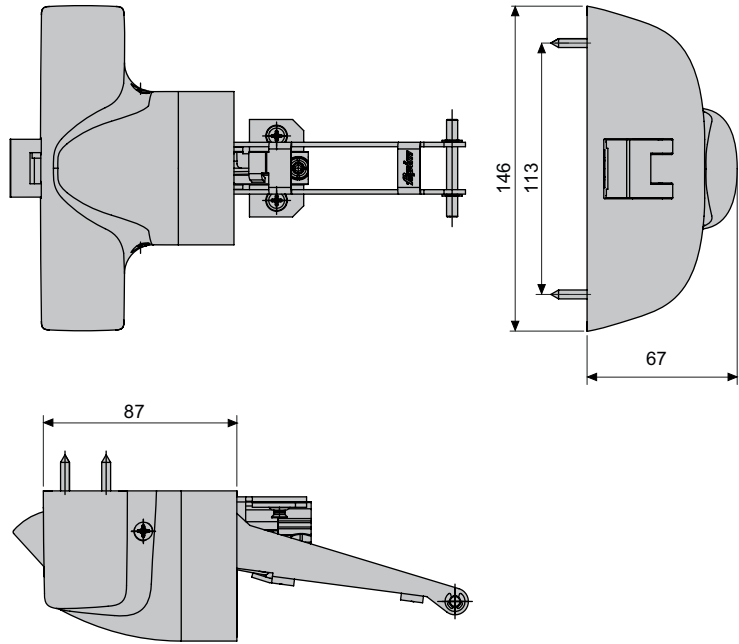
												
		8212	•								5	
		8212i									25	
		8222	•								5	
		8222i									25	
		8232									5	
		8232i	•								25	
		8535					•					5
		8039										5
		8240									1	
		8240i									5	
		8242									1	
		8242i									5	
		8245									1	
		8250				•						5
		8260									1	
		8260i									5	
		8262									1	
		8262i									5	
		8265									1	
		8280										25
		8401									5	
		8401i									25	
		8410									5	
		8410i									25	
		8415					•					5

										
	8430									5
	8430i							●		25
	8435					●		●	●	5
	8440i									25
	8442i							●	●	25
	8444									5
	8450									5
	8450i									25
	8452							●	●	5
	8452i									25
	8454									5
	8500							●		5
	8500i									25
	8503							●		5
	8503i									25
	8504F									5
	8504Fi							●	●	25
	8504X									5
	8505							●		5
	8505i									25
	8520									
	8520A						●	●		1
	8521									
	8521A									
		8525							●	
8525i										25
	8526							●		5
	8527							●		5
	8527i									25
	8529							●		5
	8529i									25
	8540X							●	●	5
	8540Xi									25
	8542X							●	●	5
	8542Xi									25

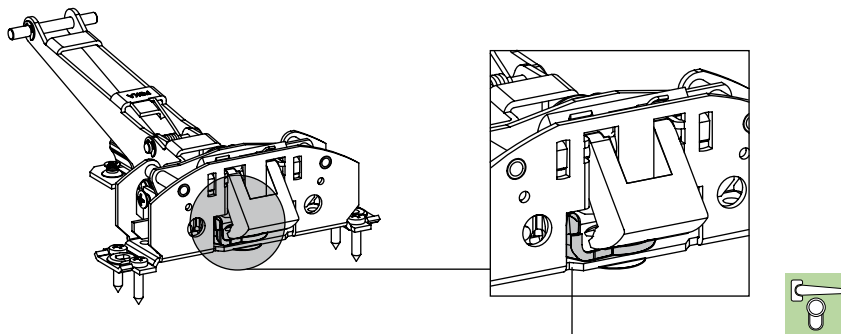
PANAMA PUSH

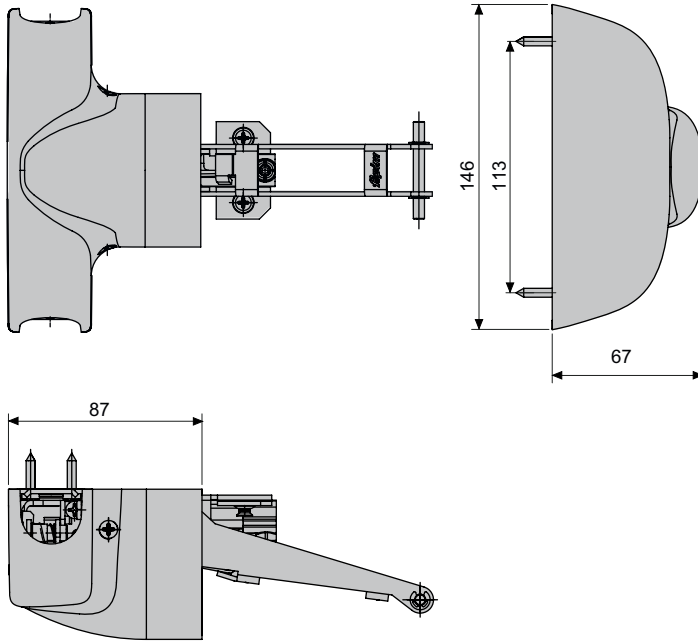
MANIGLIONE ANTIPANICO REVERSIBILE MODULARE PANAMA - MODULAR AND REVERSIBLE PANIC EXIT DEVICE PANAMA
 ANTIPANIQUE RÉVERSIBLE MODULAIRE PANAMA - ANTIPANICO REVERSIBLE MODULAR PANAMA
 PUXADOR ANTIPÁNICO REVERSÍVEL MODULAR PANAMA - REVERSÍBEL MODULIEREN PANIKTÜR VERSCHLUSS PANAMA
 PANIEKSLUITING, OMKEERBAAR EN MODULAIR PANAMA - UNIWEERSALNY SYSTEM ANTYPANICZNY PANAMA
 ΜΗΧΑΝΙΣΜΟΣ ΕΞΟΔΟΥ ΠΑΝΙΚΟΥ PANAMA - ΜΟΔΥΛΪΟ ΕΡΓΑΣΤΗΡΙΟ ΑΝΤΙΠΑΝΙΚΟΥ PANAMA
 REVERZIBILNA MODULARNA ANTIPANIK RUSKA PANAMA
 PANAMA 系列逃生门配件

8212
8212i



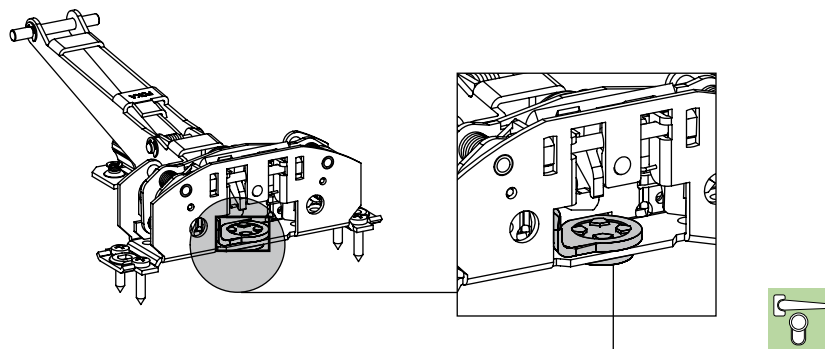
8212		5
8212i		25





8222
8222i

8222		5
8222i		25

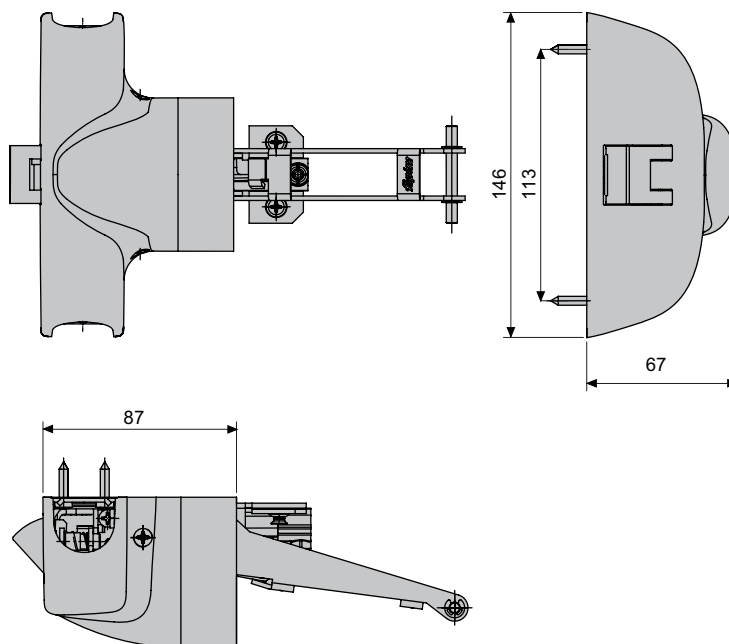


PANAMA PUSH

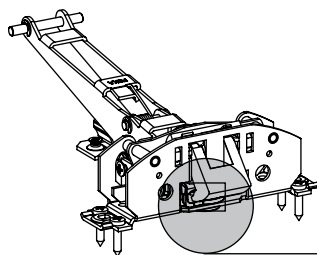
MANIGLIONE ANTIPANICO REVERSIBILE MODULARE PANAMA - MODULAR AND REVERSIBLE PANIC EXIT DEVICE PANAMA
 ANTIPANIQUE RÉVERSIBLE MODULAIRE PANAMA - ANTIPANICO REVERSIBLE MODULAR PANAMA
 PUXADOR ANTIPÁNICO REVERSÍVEL MODULAR PANAMA - REVERSÍBEL MODULIEREN PANIKTÜR VERSCHLUSS PANAMA
 PANIEKSLUITING, OMKEERBAAR EN MODULAIR PANAMA - UNIWERSALNY SYSTEM ANTYPANICZNY PANAMA
 ΜΗΧΑΝΙΣΜΟΣ ΕΞΟΔΟΥ ΠΑΝΙΚΟΥ PANAMA - МОДУЛЬНОЕ УСТРОЙСТВО ОТКРЫВАНИЯ В ЧЕРЕЗВЫЧАЙНЫХ СИТУАЦИЯХ PANAMA
 REVERZIBILNA MODULARNA ANTIPANIK RÚSKA PANAMA

PANAMA 系列逃生门配件

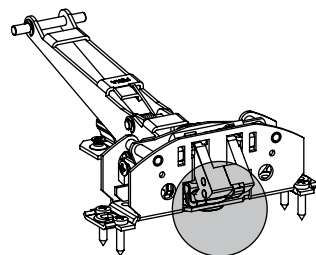
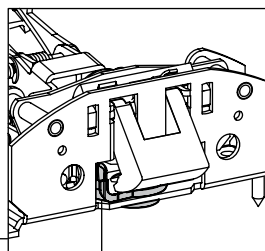
8232
8232i
8235



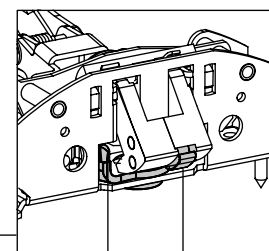
8232		5
8232i		25
8235		5



Art. 8232



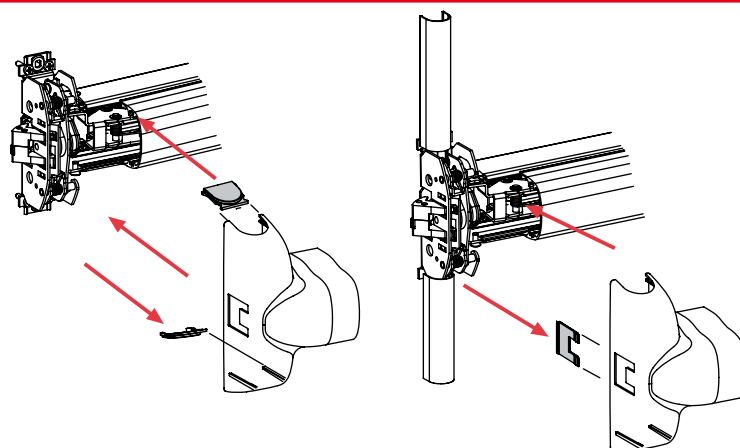
Art. 8235

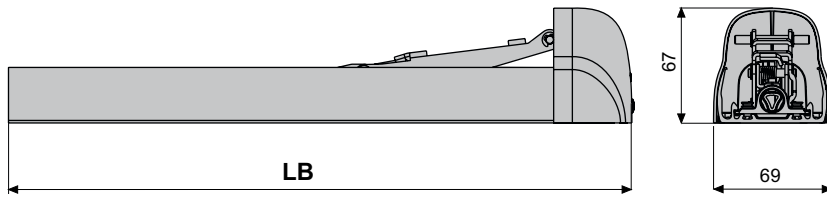


8039

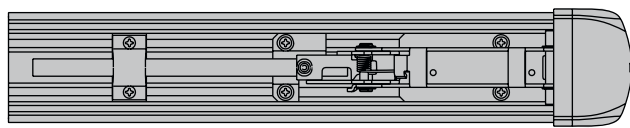






8039		5

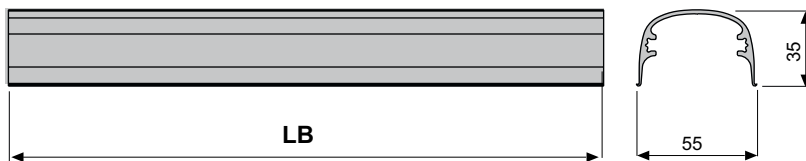




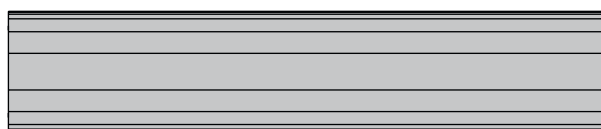
8240
8240i
8242
8242i
8245







				
		L	LB	
8240		1000	935	1
8240i	5			
8242		1300	1235	1
8242i	5			
8245		1500	1435	1



8260
8260i
8262
8262i
8265



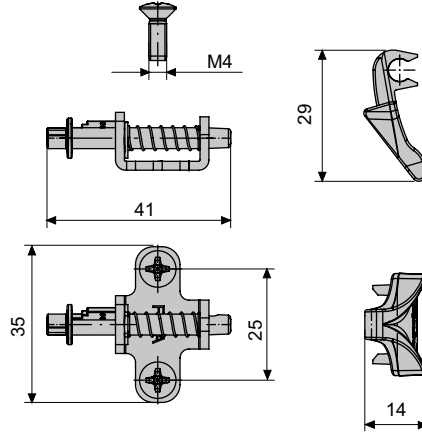
				
		L	LB	
8260		1000	935	1
8260i	5			
8262		1300	1235	1
8262i	5			
8265		1500	1435	1

PANAMA PUSH

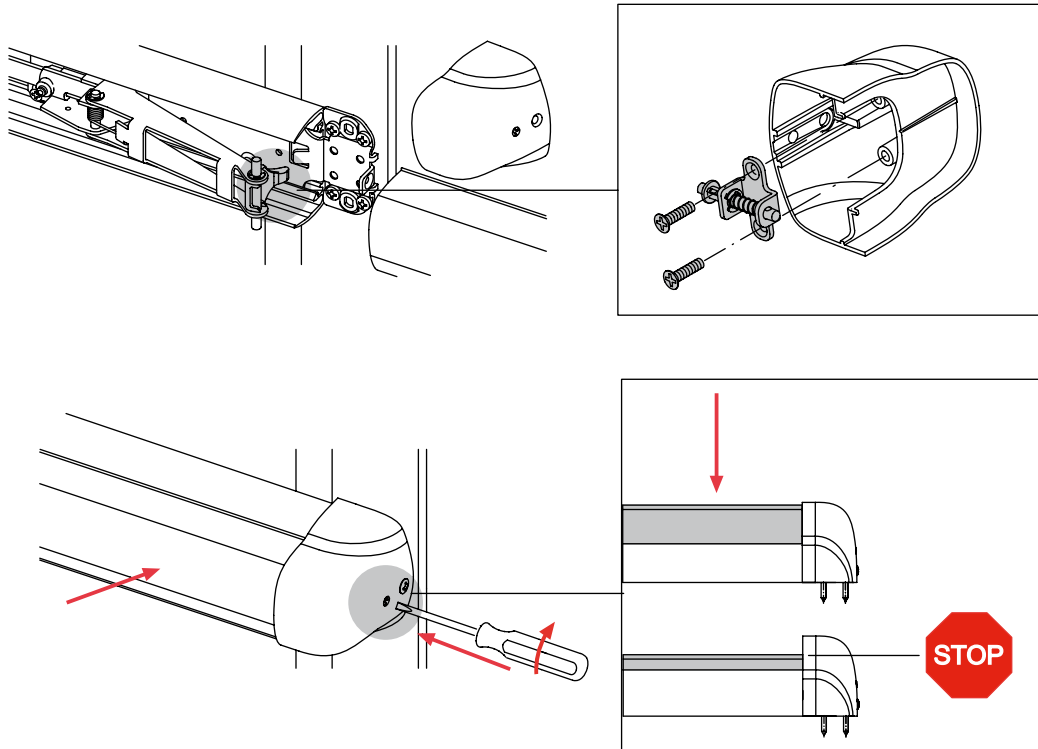
MANIGLIONE ANTIPANICO REVERSIBILE MODULARE PANAMA - MODULAR AND REVERSIBLE PANIC EXIT DEVICE PANAMA
 ANTIPANIQUE RÉVERSIBLE MODULAIRE PANAMA - ANTIPANICO REVERSIBLE MODULAR PANAMA
 PUXADOR ANTIPÁNICO REVERSÍVEL MODULAR PANAMA - REVERSÍBEL MODULIEREN PANIKTÜR VERSCHLUSS PANAMA
 PANIEKSLUITING, OMKEERBAAR EN MODULAIR PANAMA - UNIWERSALNY SYSTEM ANTYPANICZNY PANAMA
 ΜΗΧΑΝΙΣΜΟΣ ΕΞΟΔΟΥ ΠΑΝΙΚΟΥ PANAMA - ΜΟΔΥΛΗΟ ΕΥΣΤΡΩΦΟ ΟΤΚΡΥΒΑΝΗΙΑ Β ΧΕΡΕΖΥΒΑΙΝΗΙΑ ΣΗΤΡΑΑΙΩΙΑ PANAMA
 REVERZIBILNA MODULARNA ANTIPIANIK RUCSKA PANAMA

PANAMA 系列逃生门配件

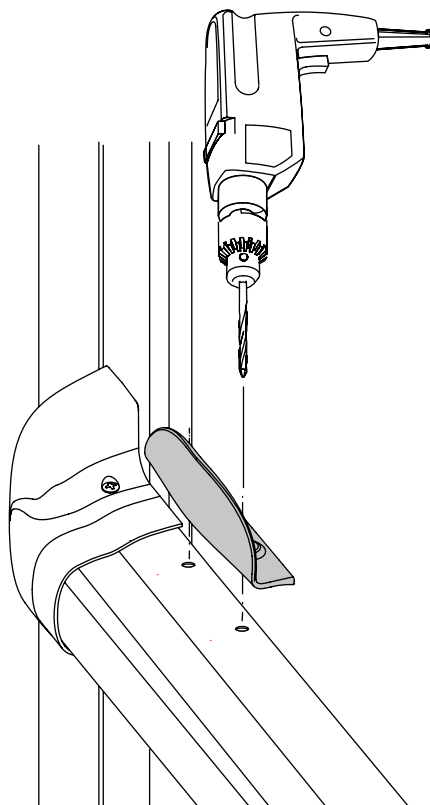
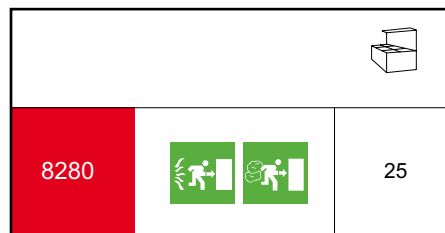
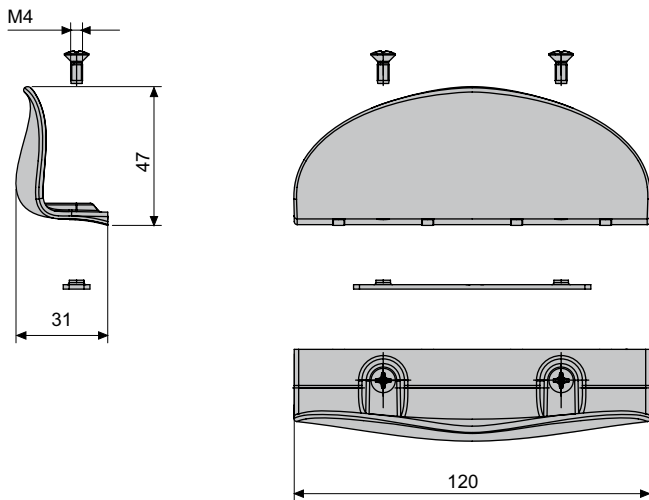
8250



8250		5

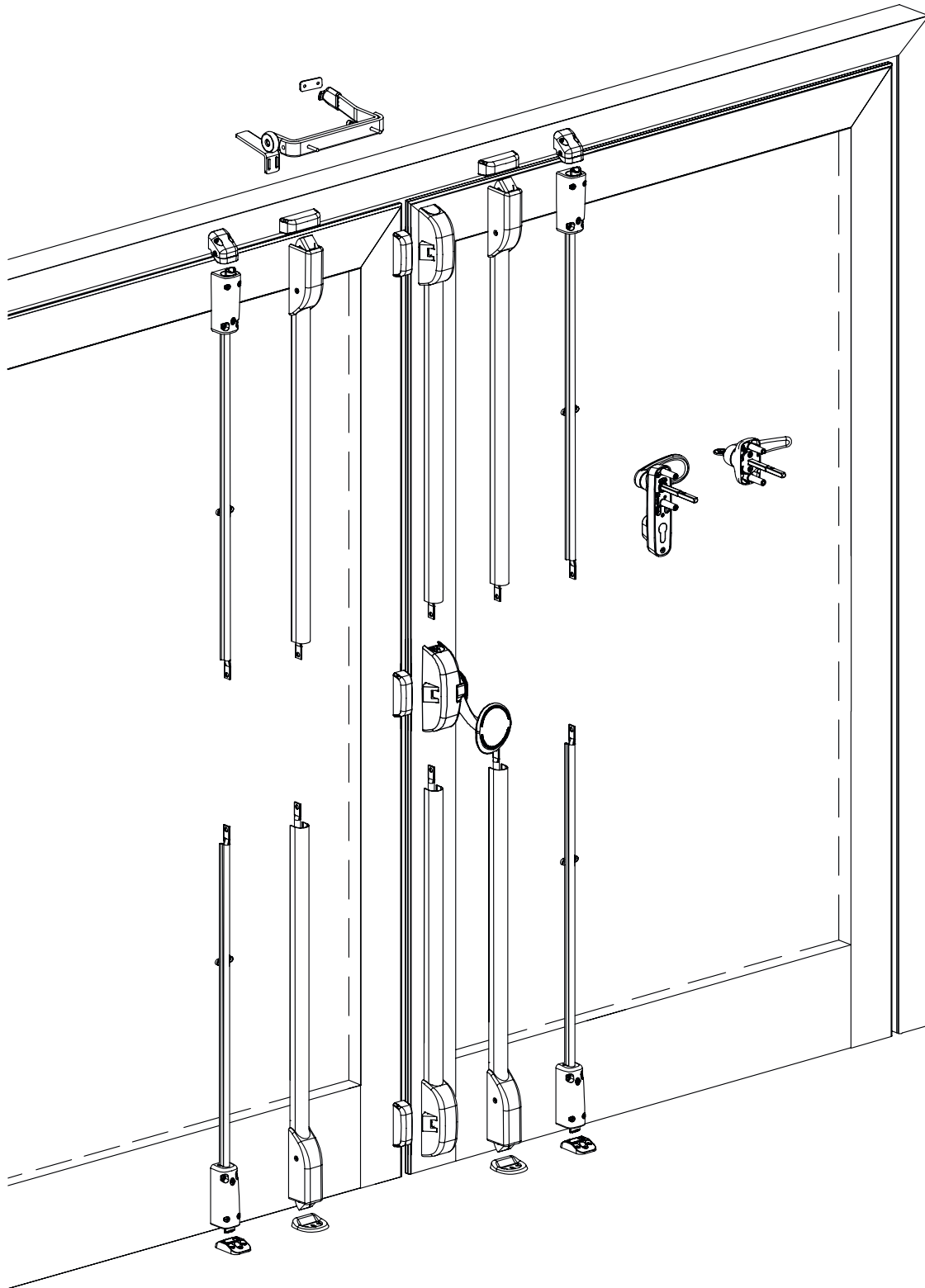


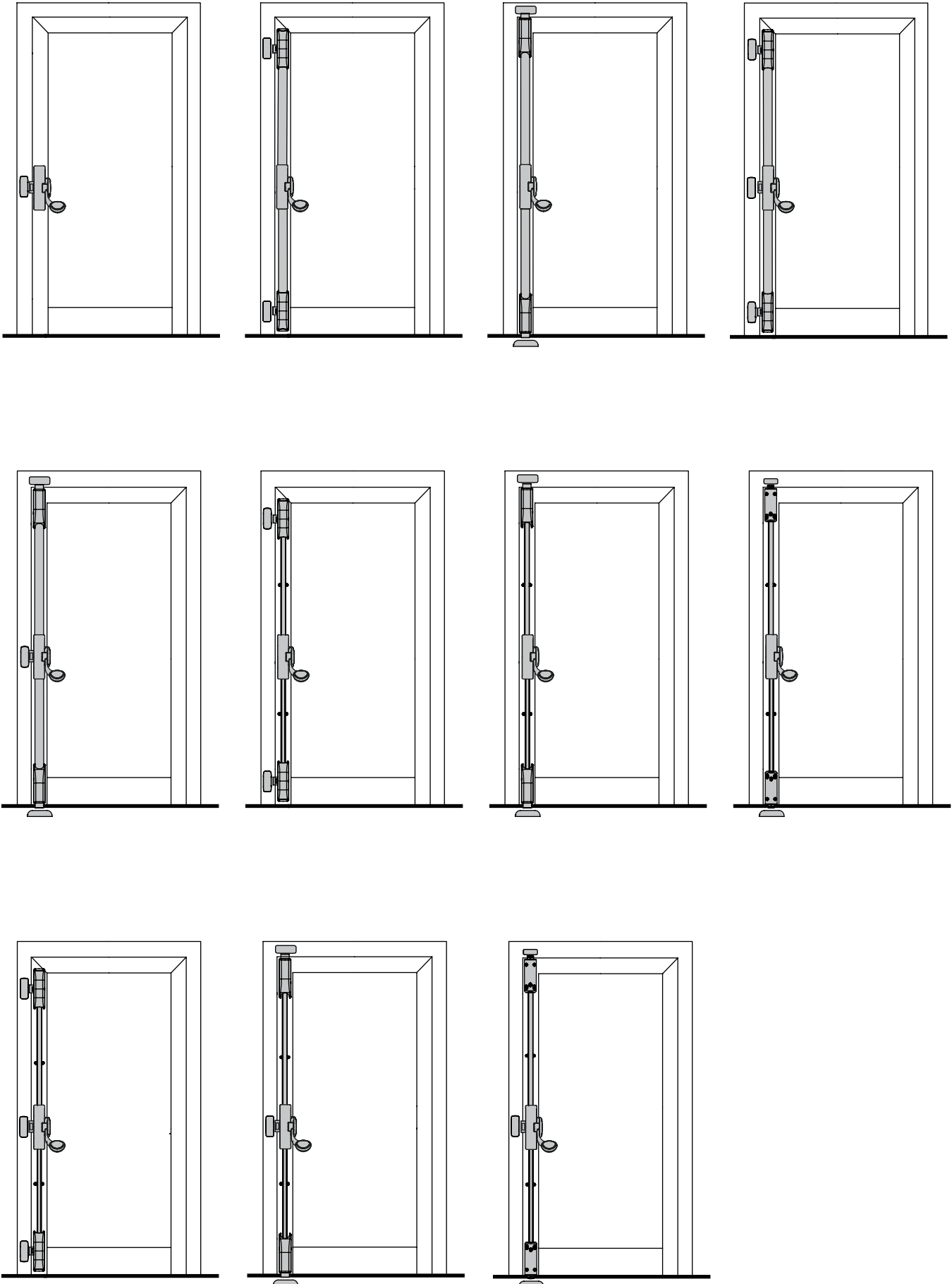
8280



PANAMA PAD









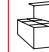
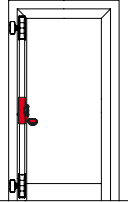
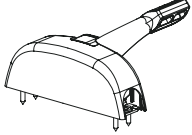
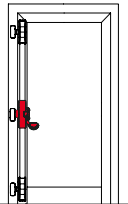
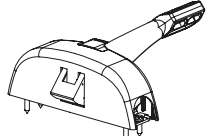


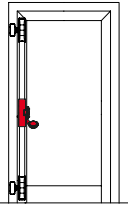

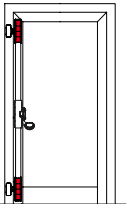
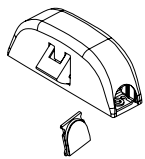
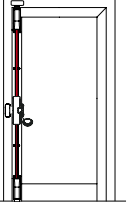
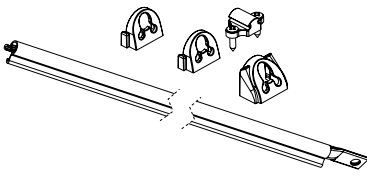
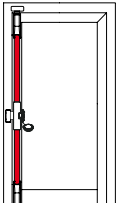
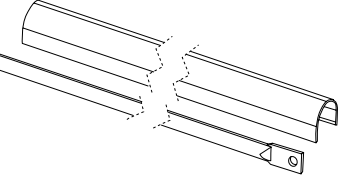
MANIGLIONE ANTIPANICO REVERSIBILE MODULARE PANAMA - MODULAR AND REVERSIBLE PANIC EXIT DEVICE PANAMA
ANTIPANIQUE RÉVERSIBLE MODULAIRE PANAMA - ANTIPANICO REVERSIBLE MODULAR PANAMA
PUXADOR ANTIPÁNICO REVERSÍVEL MODULAR PANAMA - REVERSÍBEL MODULIEREN PANIKTÜR VERSCHLUSS PANAMA
PANIEKSLUITING, OMKEERBAAR EN MODULAIR PANAMA - UNIWERSALNY SYSTEM ANTYPANICZNY PANAMA
ΜΗΧΑΝΙΣΜΟΣ ΕΞΟΔΟΥ ΠΑΝΙΚΟΥ PANAMA - МОДУЛЬНОЕ УСТРОЙСТВО ОТКРЫВАНИЯ В ЧЕРЕЗВЫЧАЙНЫХ СИТУАЦИЯХ PANAMA
REVERZIBILNA MODULARNA ANTIPANIK RUCSKA PANAMA
PANAMA 系列逃生门配件





PANAMA PAD

MANIGLIONE ANTIPANICO REVERSIBILE MODULARE PANAMA - MODULAR AND REVERSIBLE PANIC EXIT DEVICE PANAMA
 ANTIPANIQUE RÉVERSIBLE MODULAIRE PANAMA - ANTIPANICO REVERSIBLE MODULAR PANAMA
 PUXADOR ANTIPÁNICO REVERSÍVEL MODULAR PANAMA - REVERSÍBEL MODULIEREN PANIKTÜR VERSCHLUSS PANAMA
 PANIEKSLUITING, OMKEERBAAR EN MODULAIR PANAMA - UNIWERSALNY SYSTEM ANTYPANICZNY PANAMA
 ΜΗΧΑΝΙΣΜΟΣ ΕΞΟΔΟΥ ΠΑΝΙΚΟΥ PANAMA - ΜΟΔΥΛΪΟ ΕΥΣΤΡΩΦΟ ΟΤΚΡΥΒΑΝΗΤΑ Β ΧΕΡΕΖΥΒΧΑΙΝΗΤΧ ΣΗΤΡΑΧΑΙΡΑ PANAMA
 REVERZIBILNA MODULARNA ANTIPANIK RUSKA PANAMA
 PANAMA 系列逃生门配件

											
		8322	●					●	●		1
		8332	●					●			1
		8039						●	●		5
		8340						●	●		1
		8430									5
		8430i						●			25
		8435					●		●	●	5
		8440i									25
		8442i						●	●		25
		8444									5
		8450									5
		8450i									25
		8452						●	●		5
		8452i									25
		8454									5

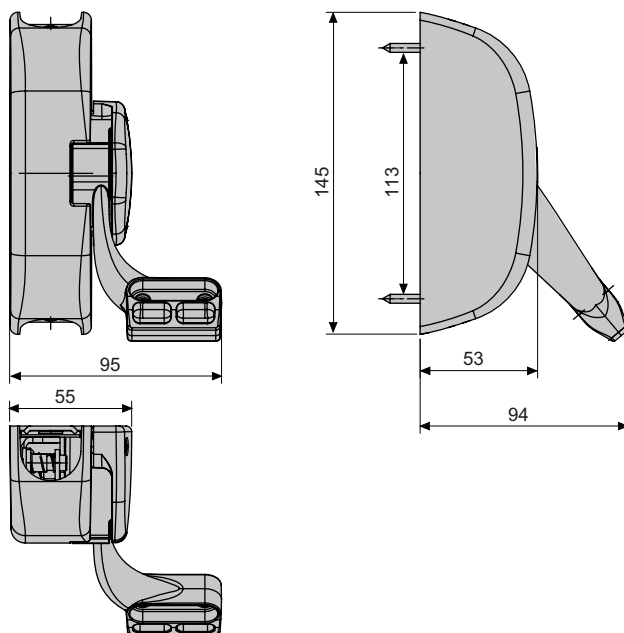
 	 	8500										5		
		8500i									●		25	
	 	8503									●		5	
		8503i									●		25	
	 	8504F											5	
		8504Fi									●	●	25	
	 	8504X											5	
		8505									●		5	
	 	8505i									●		25	
		8520												
	 	8520A												
		8521									●	●		1
		8521A												
	 	8525										●	5	
8525i											●	25		
 	8526										●	5		
	8527										●		5	
 	8527i										●	25		
	8529										●		5	
 	8529i										●	25		
	8540X										●	●	5	
 	8540Xi										●	25		
	8542X										●	●	5	
	8542Xi										●	●	25	
	8542Xi										●	●	25	

PANAMA PAD

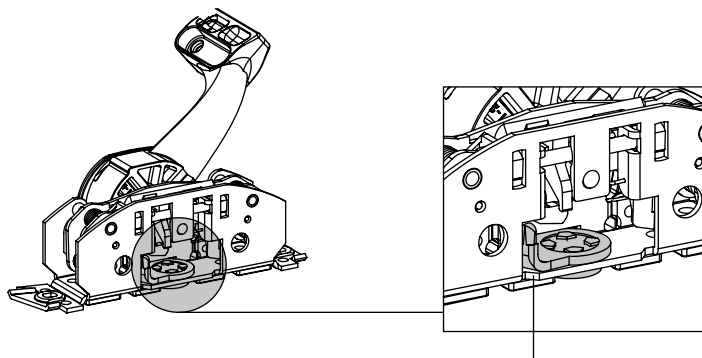
MANIGLIONE ANTIPANICO REVERSIBILE MODULARE PANAMA - MODULAR AND REVERSIBLE PANIC EXIT DEVICE PANAMA
 ANTIPANIQUE RÉVERSIBLE MODULAIRE PANAMA - ANTIPANICO REVERSIBLE MODULAR PANAMA
 PUXADOR ANTIPÁNICO REVERSÍVEL MODULAR PANAMA - REVERSÍBEL MODULIEREN PANIKTÜR VERSCHLUSS PANAMA
 PANIEKSLUITING, OMKEERBAAR EN MODULAIR PANAMA - UNIWERSALNY SYSTEM ANTYPANICZNY PANAMA
 ΜΗΧΑΝΙΣΜΟΣ ΕΞΟΔΟΥ ΠΑΝΙΚΟΥ PANAMA - ΜΟΔΥΛΪΟ ΕΡΓΑΣΤΗΡΙΟ ΑΝΤΙΠΑΝΙΚΟΥ PANAMA
 REVERZIBILNA MODULARNA ANTIPIANIK RUSKA PANAMA

PANAMA 系列逃生门配件

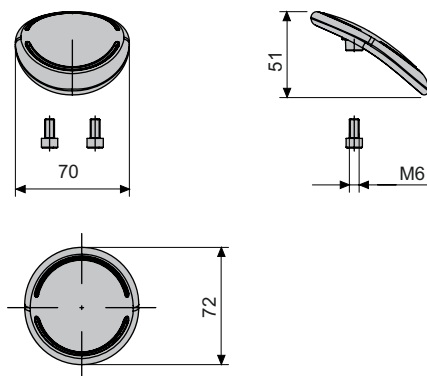
8322



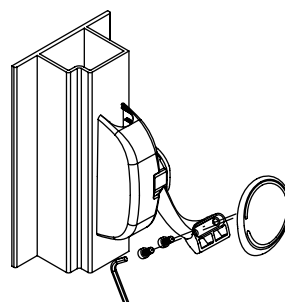
8322	 	1

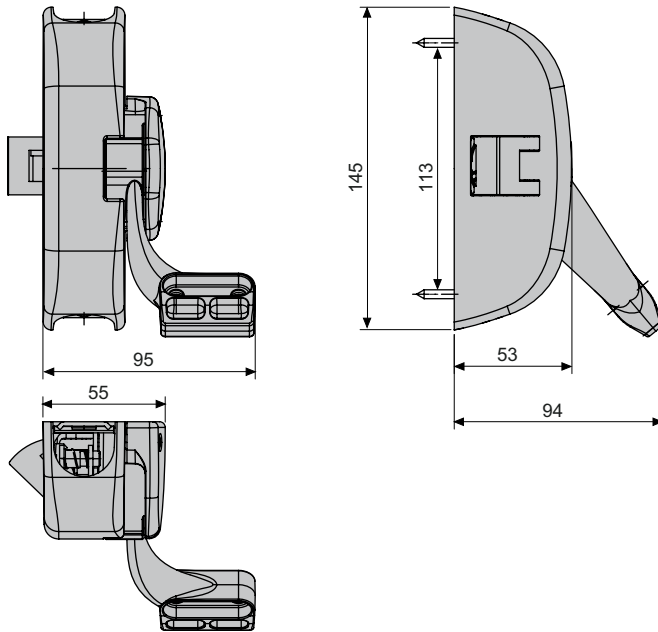


8340



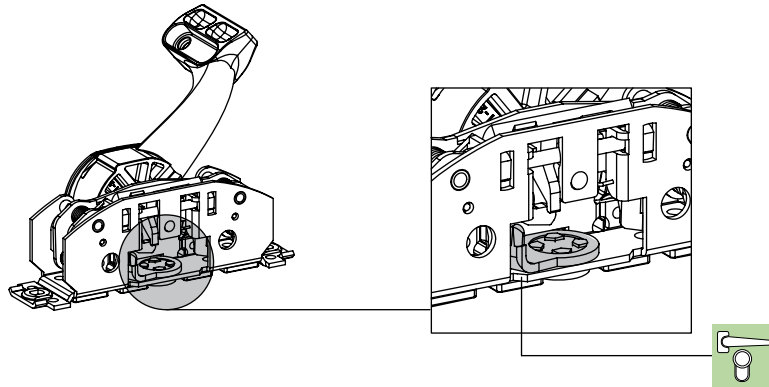
8340		1





8332

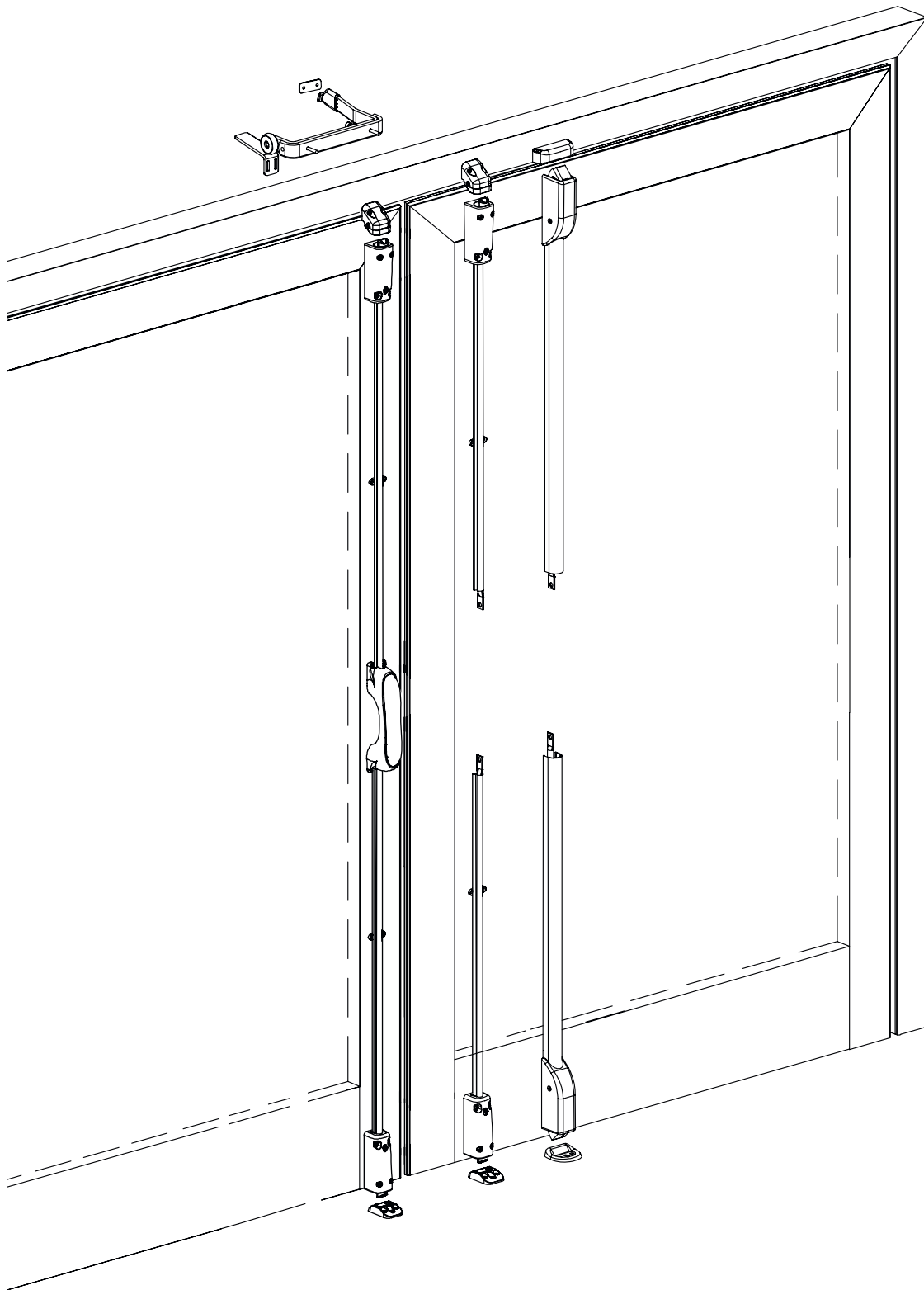
8332		1



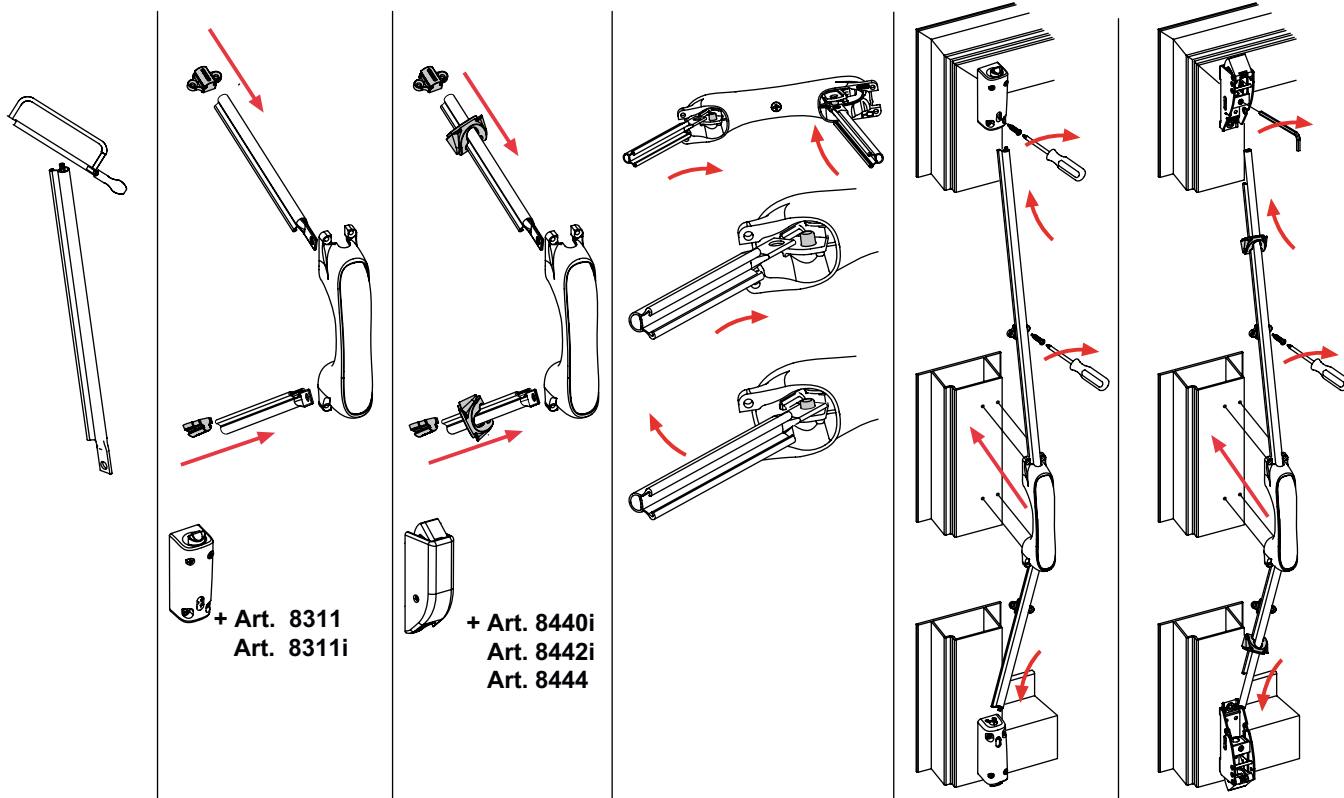
PANAMA CREMONE

MANIGLIONE ANTIPANICO REVERSIBILE MODULARE PANAMA - MODULAR AND REVERSIBLE PANIC EXIT DEVICE PANAMA
ANTIPANIQUE RÉVERSIBLE MODULAIRE PANAMA - ANTIPANICO REVERSIBLE MODULAR PANAMA
PUXADOR ANTIPÁNICO REVERSÍVEL MODULAR PANAMA - REVERSIBEL MODULIEREN PANIKTÜRVERSCHLÜSS PANAMA
PANIEKSLUITING, OMKEERBAAR EN MODULAIR PANAMA - UNIWEERSALNY SYSTEM ANTYPANICZNY PANAMA
ΜΗΧΑΝΙΣΜΟΣ ΕΞΟΔΟΥ ΠΑΝΙΚΟΥ PANAMA - МОДУЛЬНОЕ УСТРОЙСТВО ОТКРЫВАНИЯ В ЧЕРЕЗВЫЧАЙНЫХ СИТУАЦИЯХ PANAMA
REVERZIBILNA MODULARNA ANTIPANIK RUČKA PANAMA

PANAMA 系列逃生门配件



		8300i							●		25
		8311							●		5
		8311i									25
		8401							●		5
		8401i									25



PANAMA CREMONE

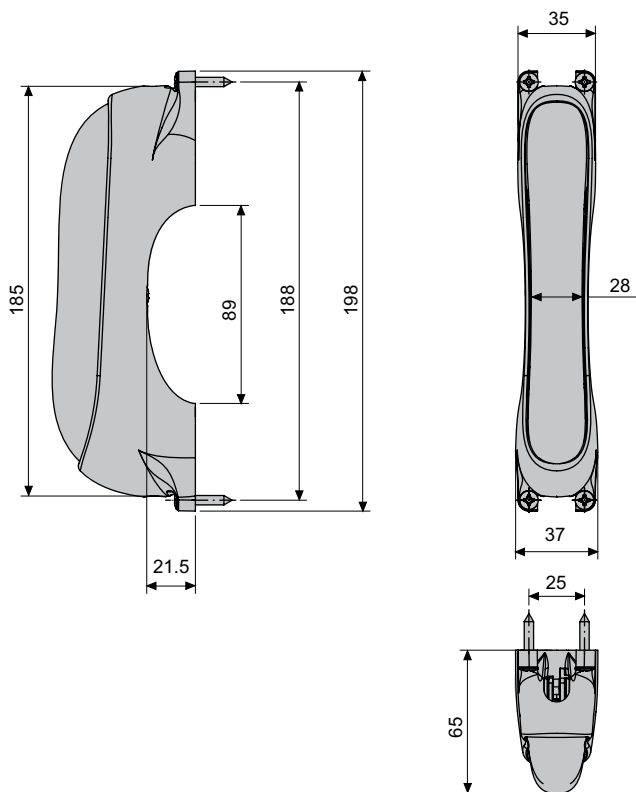
MANIGLIONE ANTIPANICO REVERSIBILE MODULARE PANAMA - MODULAR AND REVERSIBLE PANIC EXIT DEVICE PANAMA
 ANTIPANIQUE RÉVERSIBLE MODULAIRE PANAMA - ANTIPANICO REVERSIBLE MODULAR PANAMA
 PUXADOR ANTIPÁNICO REVERSÍVEL MODULAR PANAMA - REVERSÍBEL MODULAREN PANIKTÜRVERSCHLÜSS PANAMA
 PANIEKSLUITING, OMKEERBAAR EN MODULAIR PANAMA - UNIWEERSALNY SYSTEM ANTYPANICZNY PANAMA
 ΜΗΧΑΝΙΣΜΟΣ ΕΞΟΔΟΥ ΠΑΝΙΚΟΥ PANAMA - ΜΟΔΥΛΗΘΕ ΟΥΣΤΡΟΙΣΤΡΩ ΟΤΚΡΥΒΑΝΗΡΙΑ Β ΧΕΡΕΖΒΥΧΑΙΝΗΡΙΑΧ ΣΙΤΥΑΤΣΙΩΡΙΑΧ PANAMA
 REVERZIBILNA MODULARNA ANTIPIANIK RUČKA PANAMA

PANAMA 系列逃生门配件

8300i



8300i		25



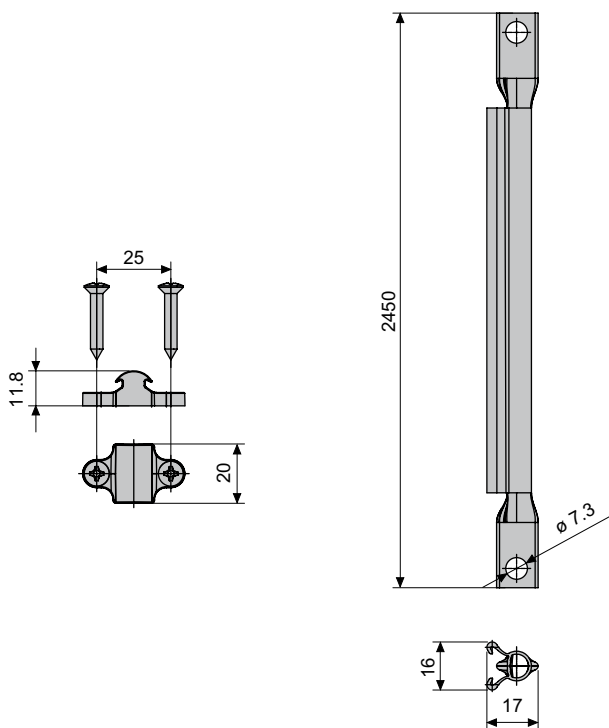
Art. 8401
Art. 8401i

Art. 8410
Art. 8410i
Art. 8415

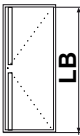


Art. 8400i
Art. 8402i
Art. 8444

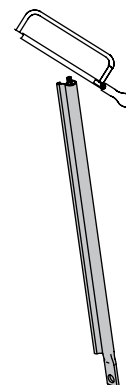
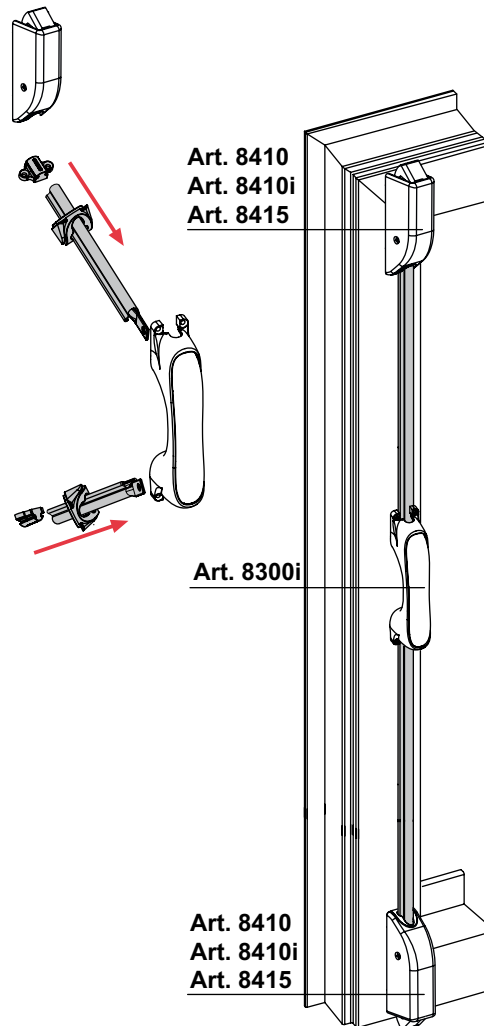
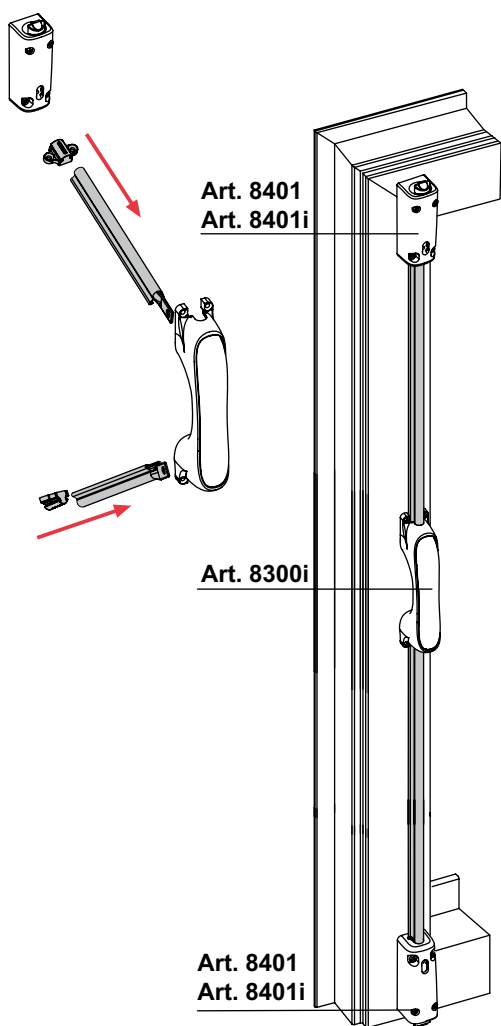
Art. 8401
Art. 8401i

Art. 8410
Art. 8410i
Art. 8415





8311
8311i

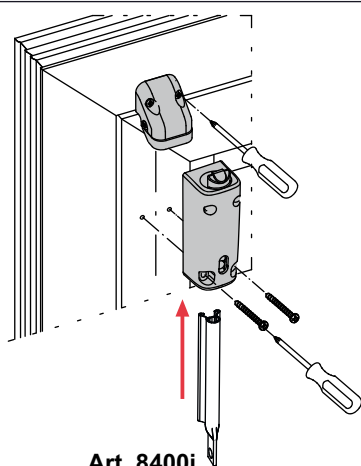
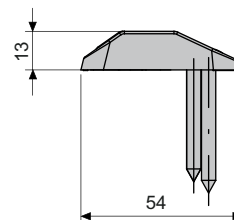
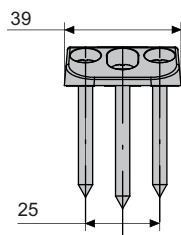
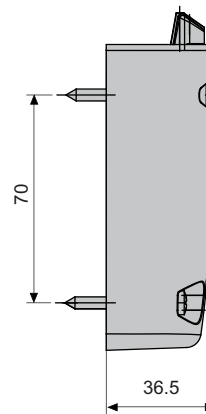
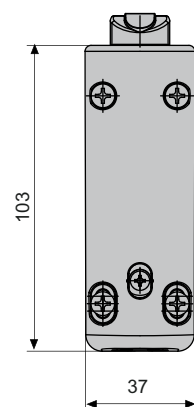
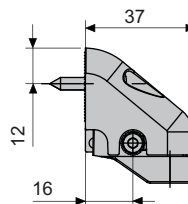
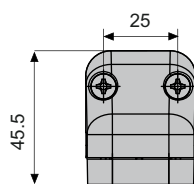
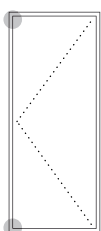
		
8311		Max 2600
8311i		
		5
		25



8401
8401i

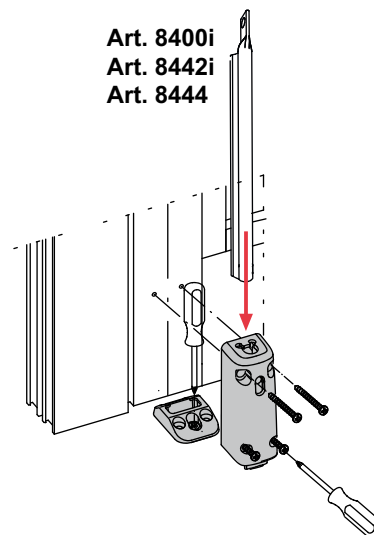


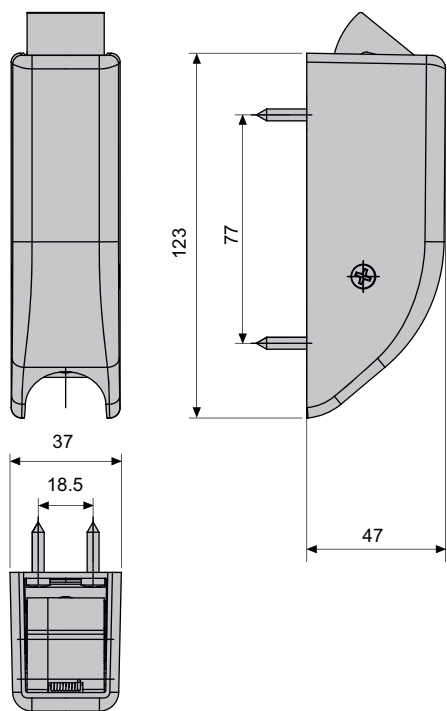
		
8401		5
8401i		25



Art. 8400i
Art. 8442i
Art. 8444

Art. 8400i
Art. 8442i
Art. 8444

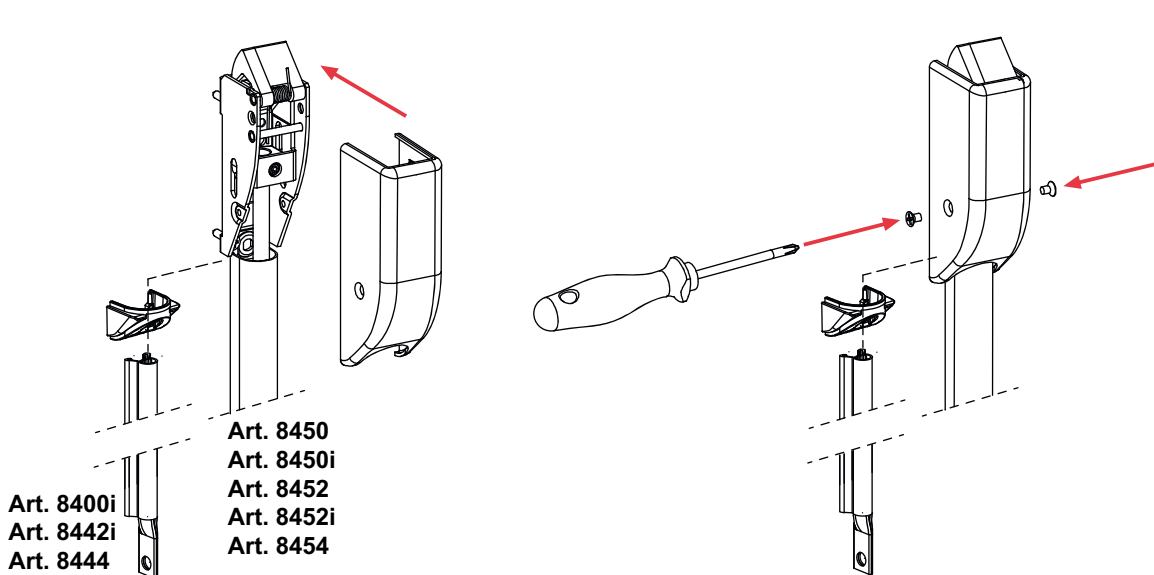
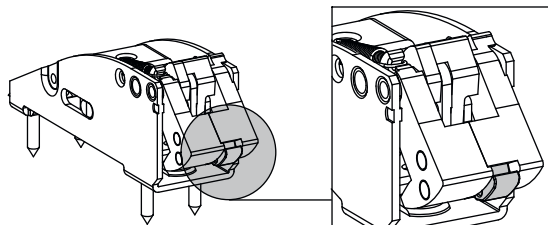




8410
8410i
8415

8410		5
8410i		25
8415		5

Art. 8415



Art. 8400i
Art. 8442i
Art. 8444

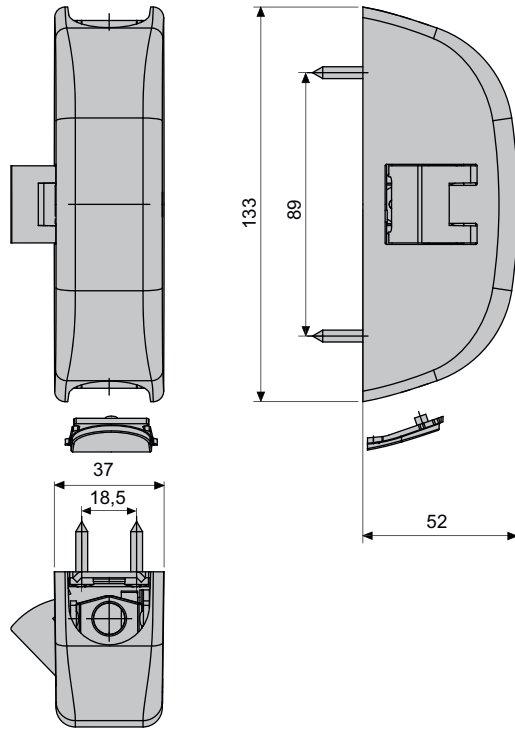
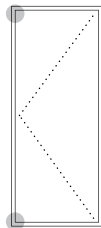
Art. 8450
Art. 8450i
Art. 8452
Art. 8452i
Art. 8454



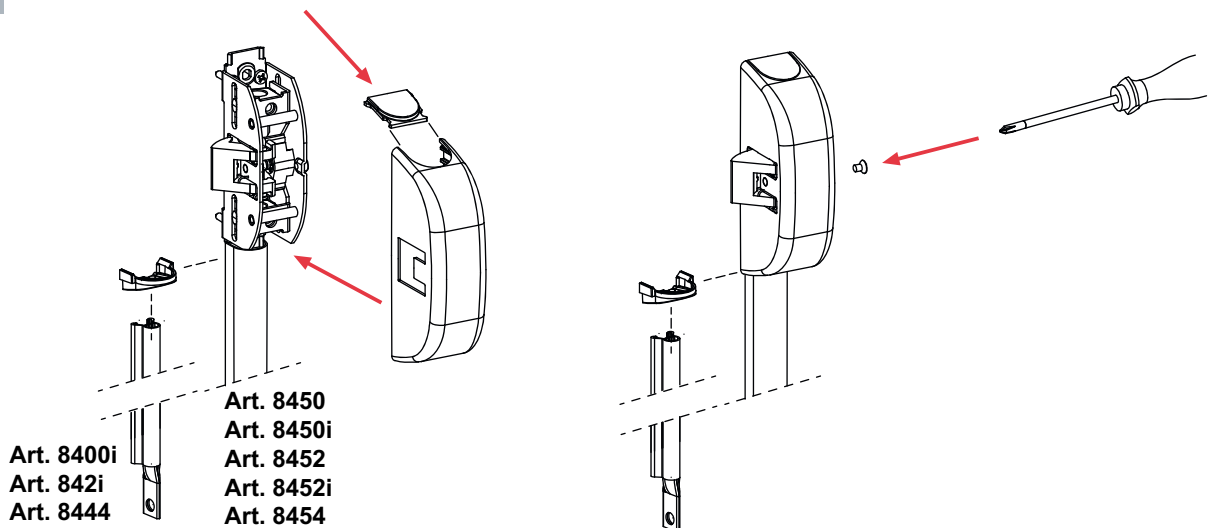
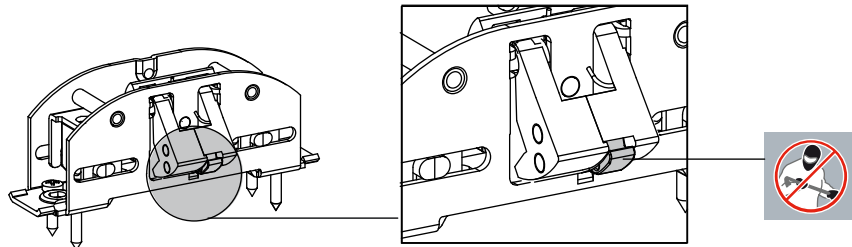
8430
8430i
8435



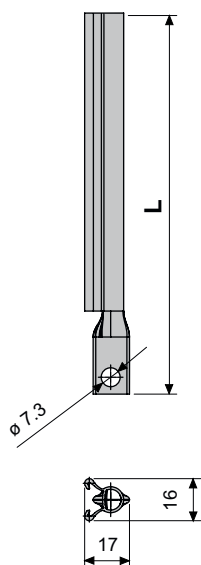
		5
8430		5
8430i		25
8435	 	5



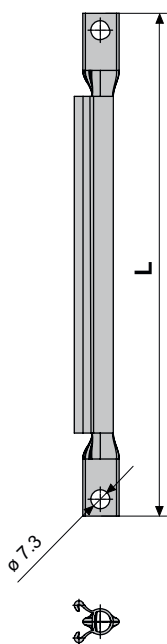
Art. 8435



Art. 8440i-8442i

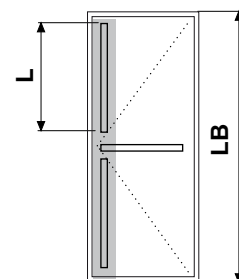
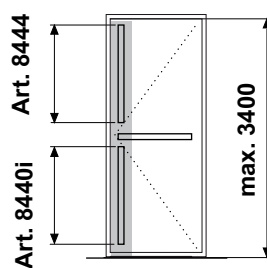
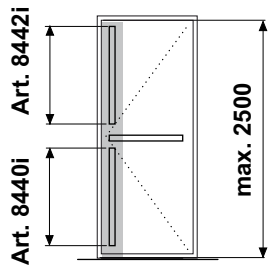
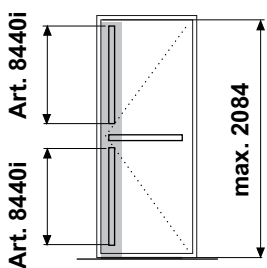
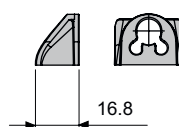
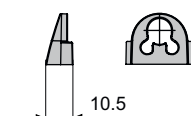
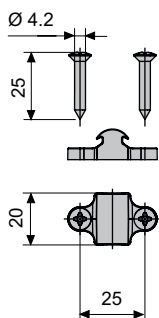


Art. 8444



8440i
8442i
8444

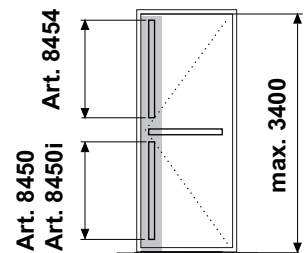
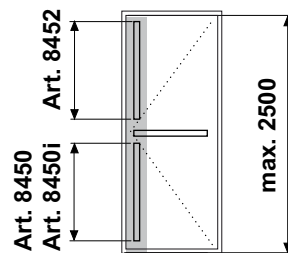
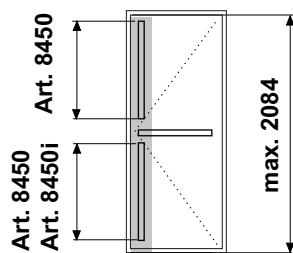
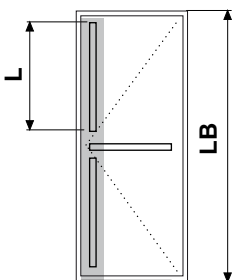
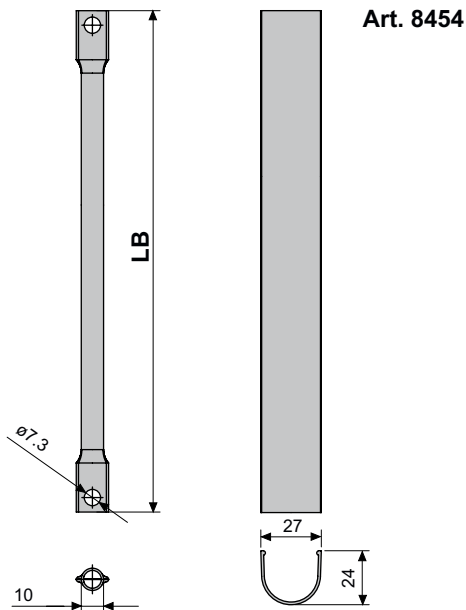
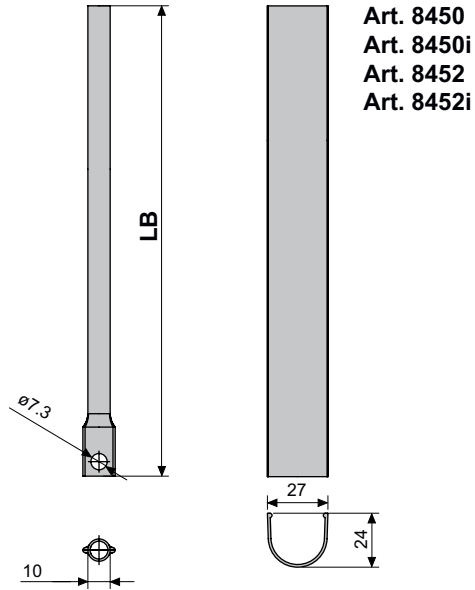
		L	LB	
8440i		950	2084	25
8442i		1365	2500	25
8444		2300	3400	5



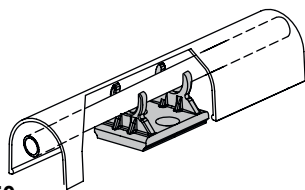
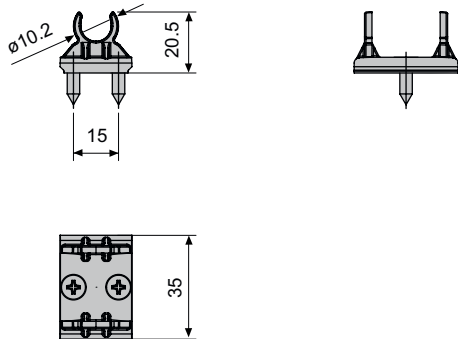
8450
8450i
8452
8452i
8454



8450		950	2084	5
8450i				25
8452		1365	2500	5
8452i				25
8454		2300	3400	5

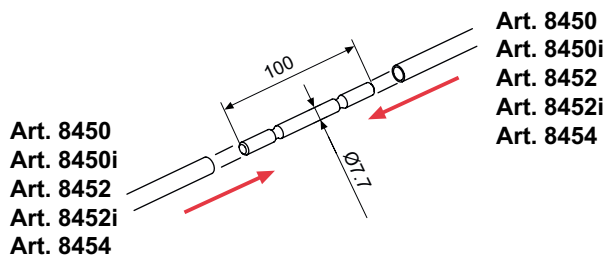


8480



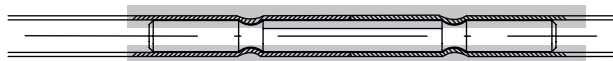
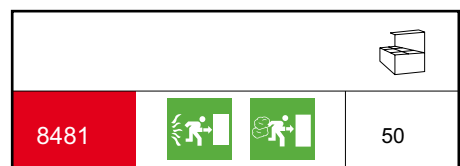
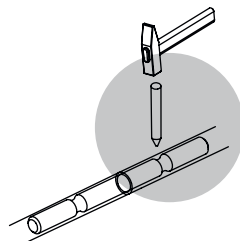
Art. 8450
 Art. 8450i
 Art. 8452
 Art. 8452i
 Art. 8454

8481

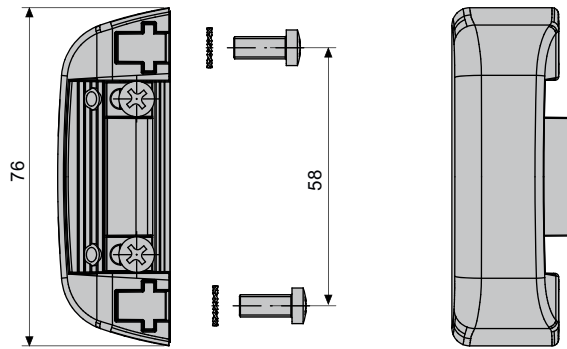


Art. 8450
 Art. 8450i
 Art. 8452
 Art. 8452i
 Art. 8454

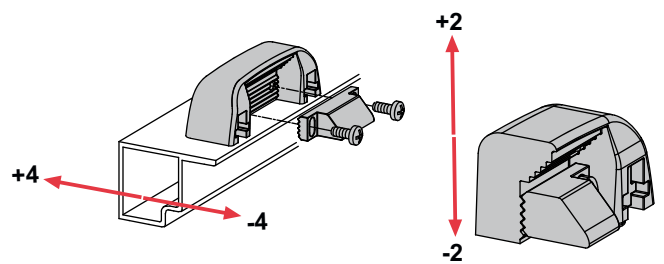
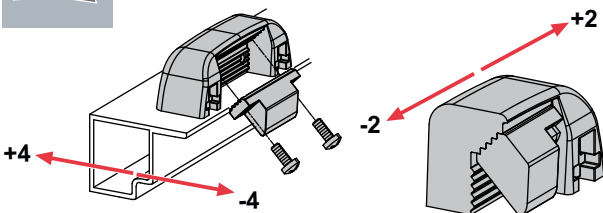
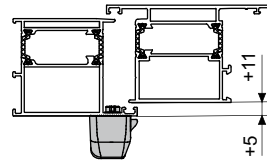
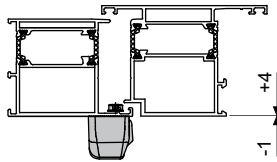
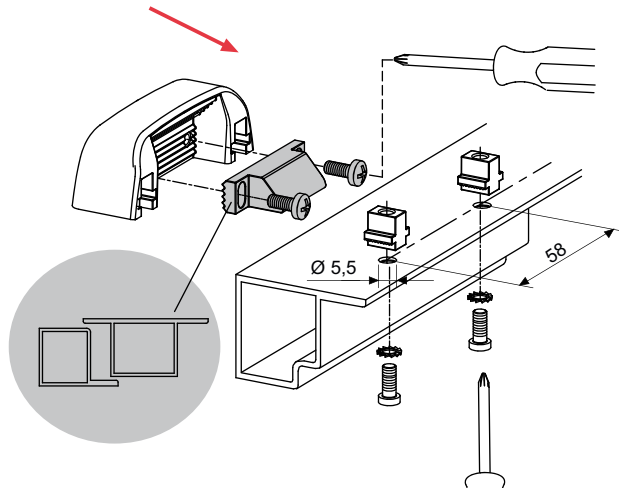
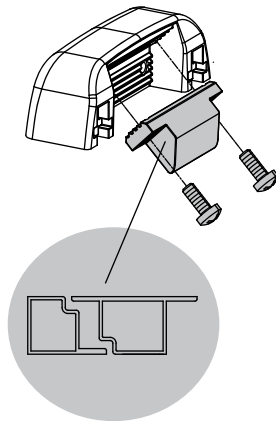
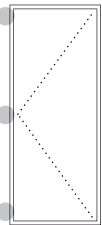
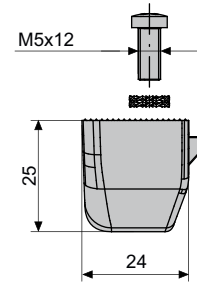
Art. 8450
 Art. 8450i
 Art. 8452
 Art. 8452i
 Art. 8454

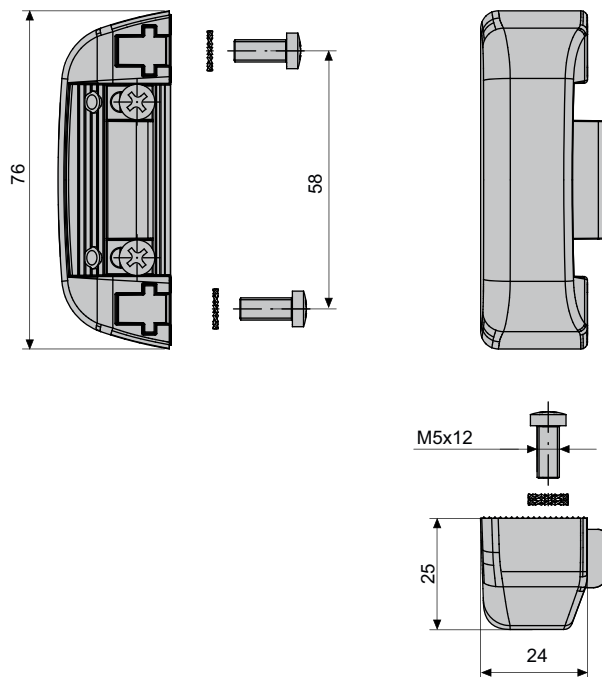


8500
8500i



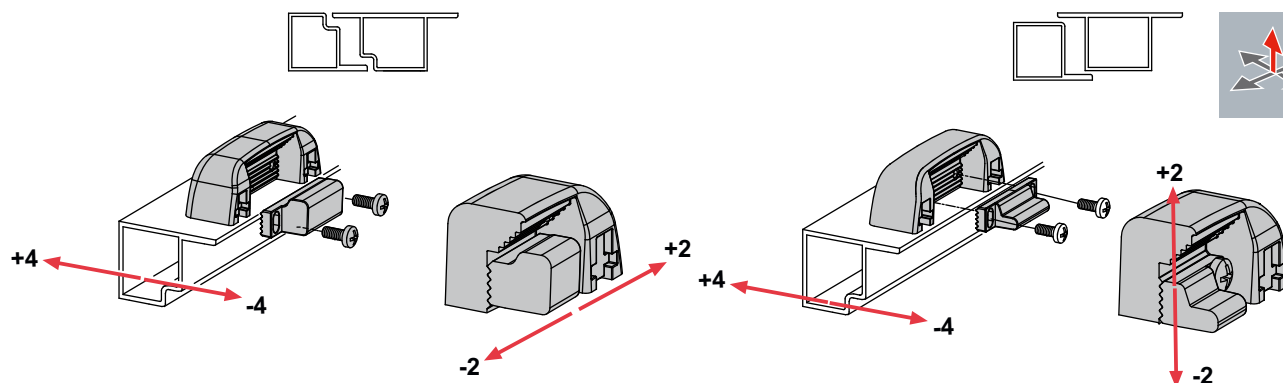
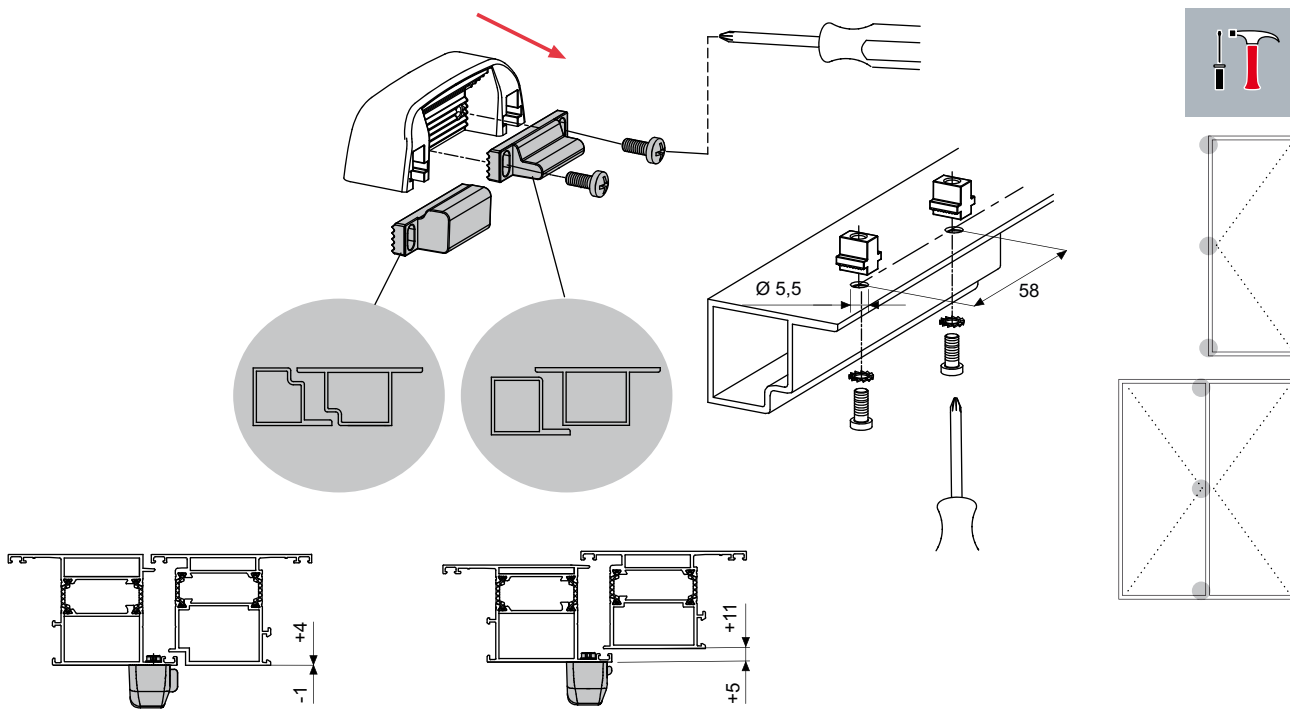
8500		5
8500i		25



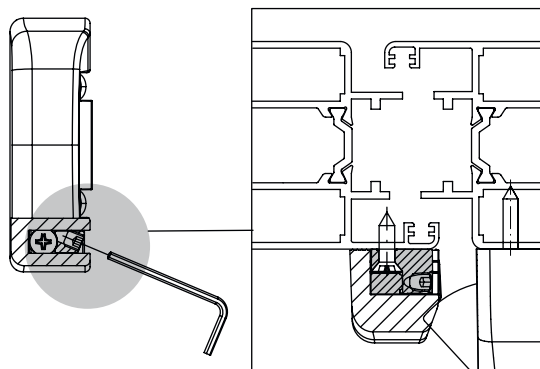
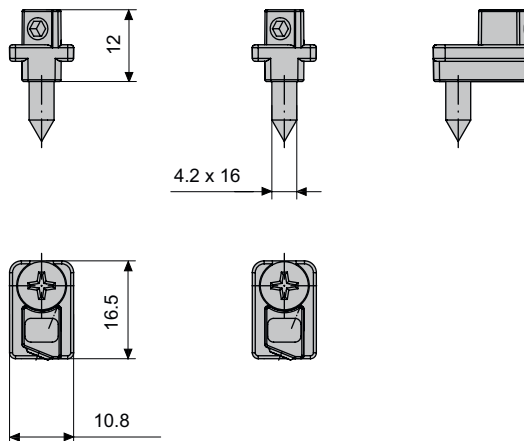
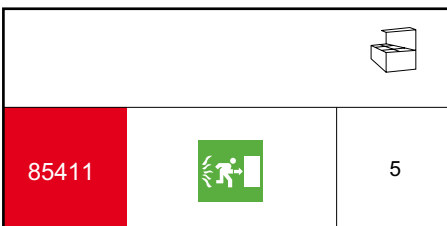


8525
8525i

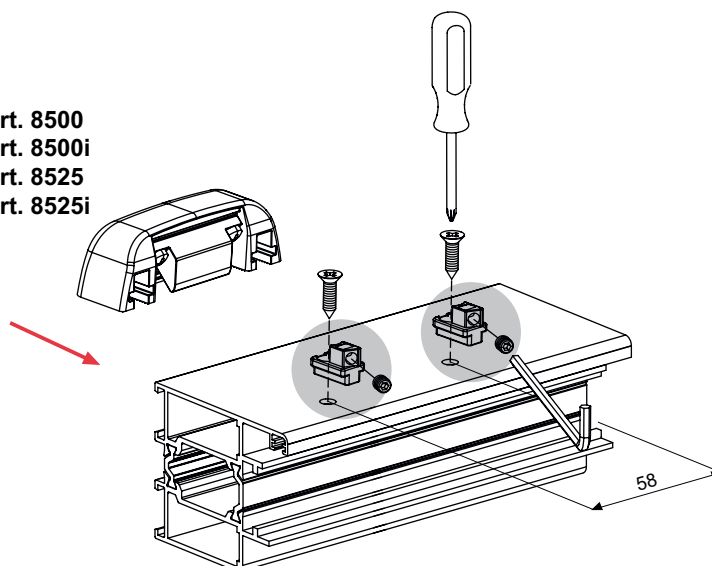
8525		5
8525i		25

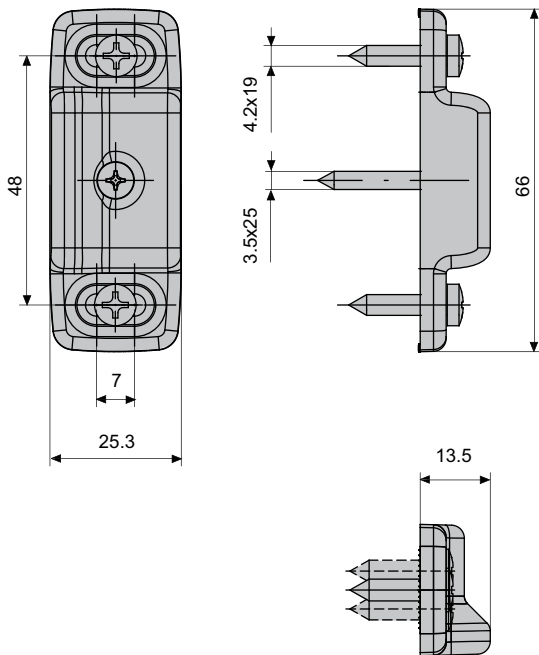


85411



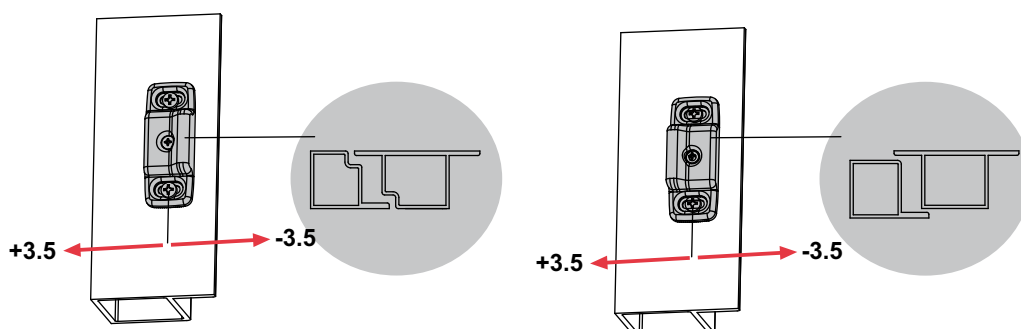
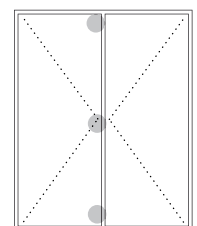
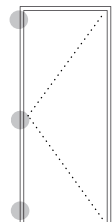
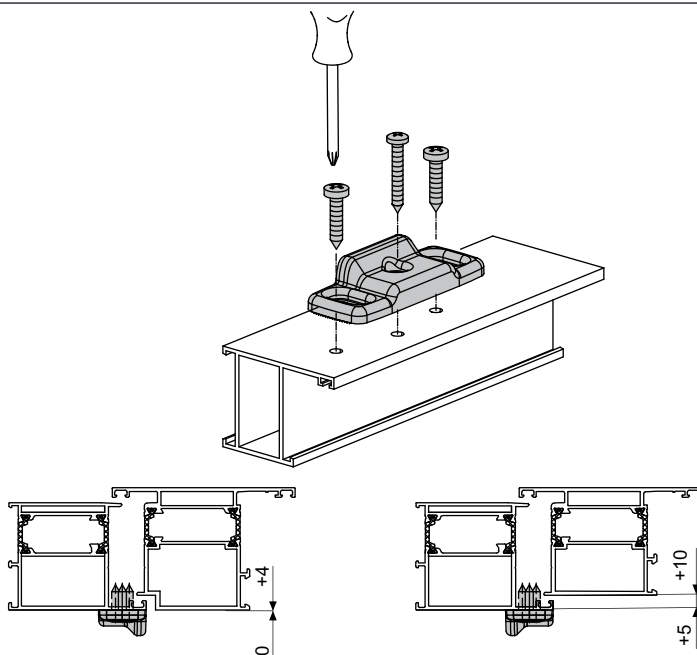
Art. 8500
 Art. 8500i
 Art. 8525
 Art. 8525i



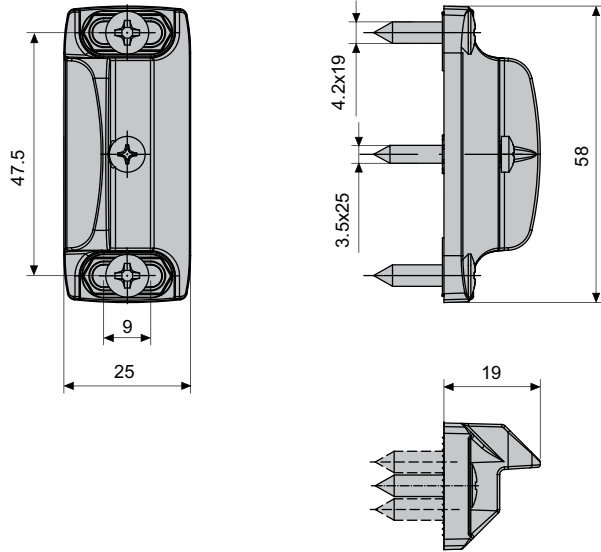


8504F
 8504Fi
 8504FK
 8504X

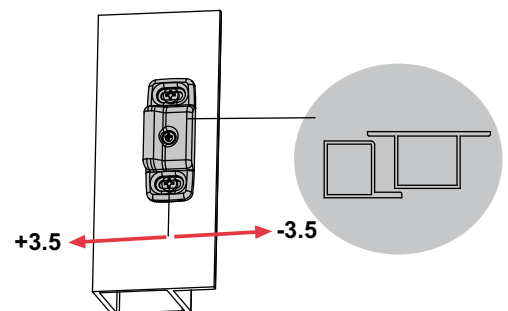
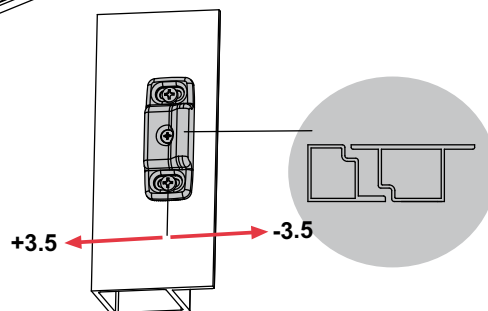
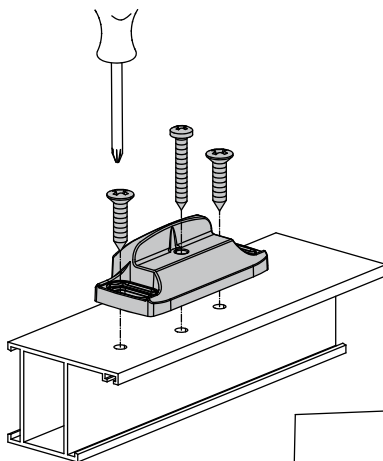
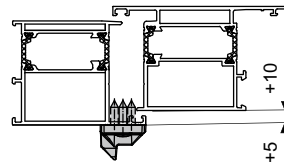
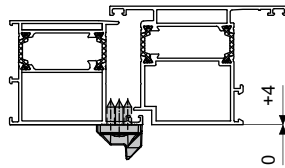
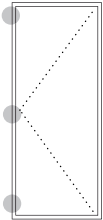
8504F			5
8504Fi			25
8504FK			1
8504X			1

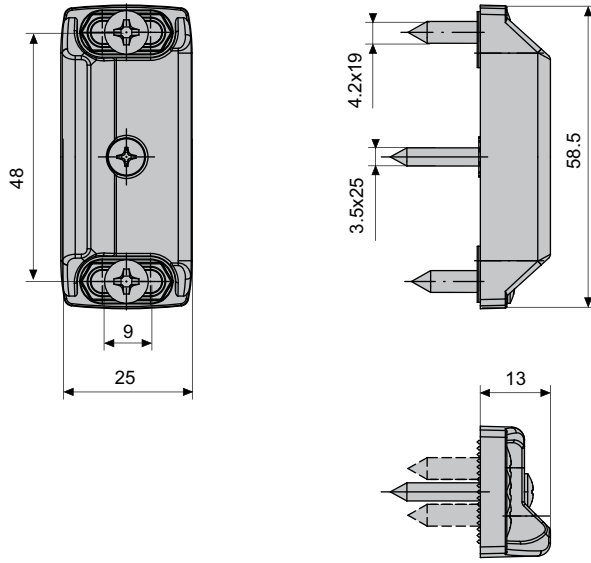


8505
8505i



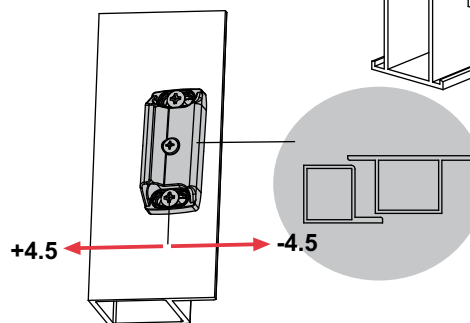
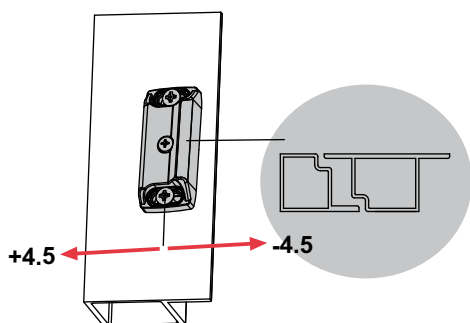
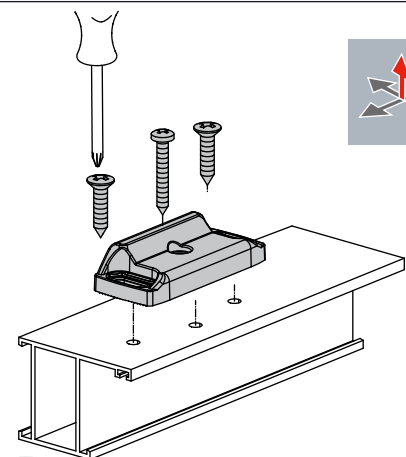
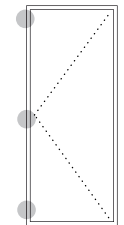
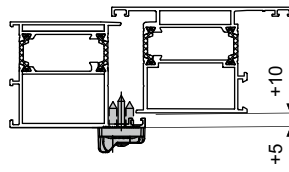
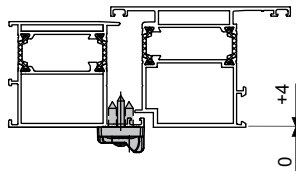
8505		5
8505i		25







8529
8529i

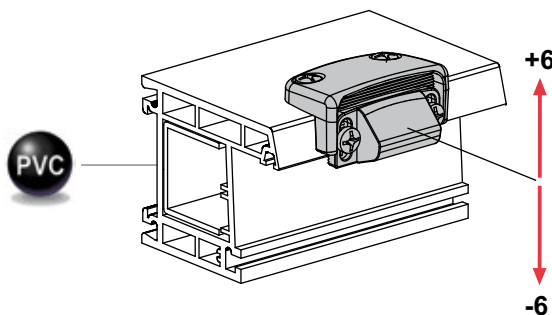
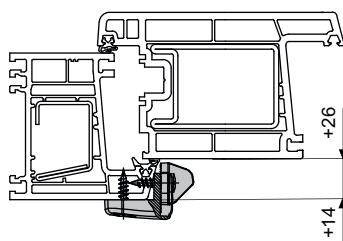
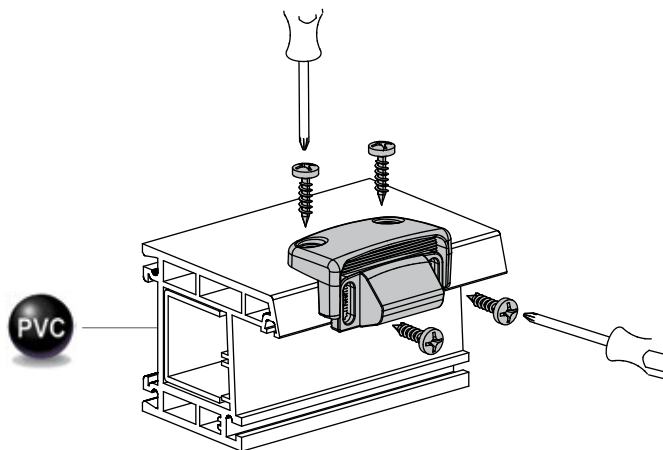
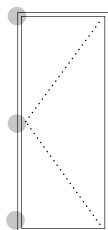
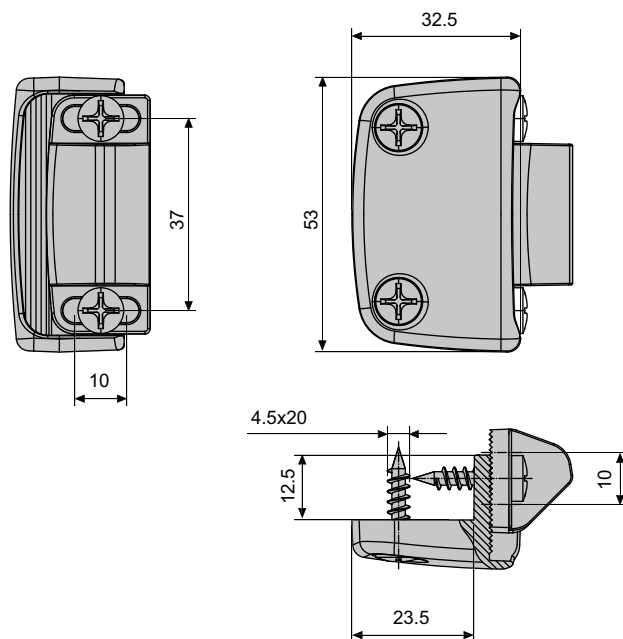
8529		5
8529i		25

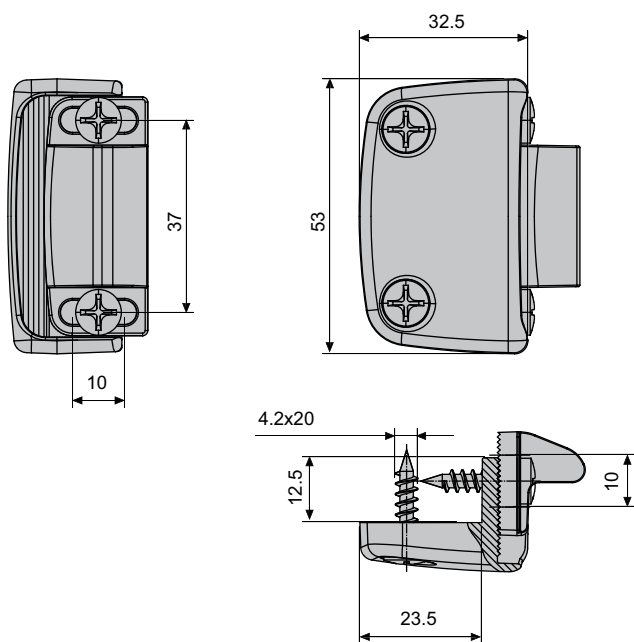


8503
8503i



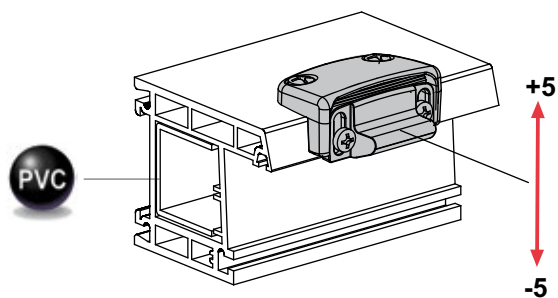
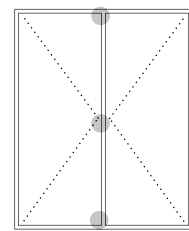
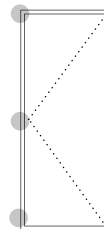
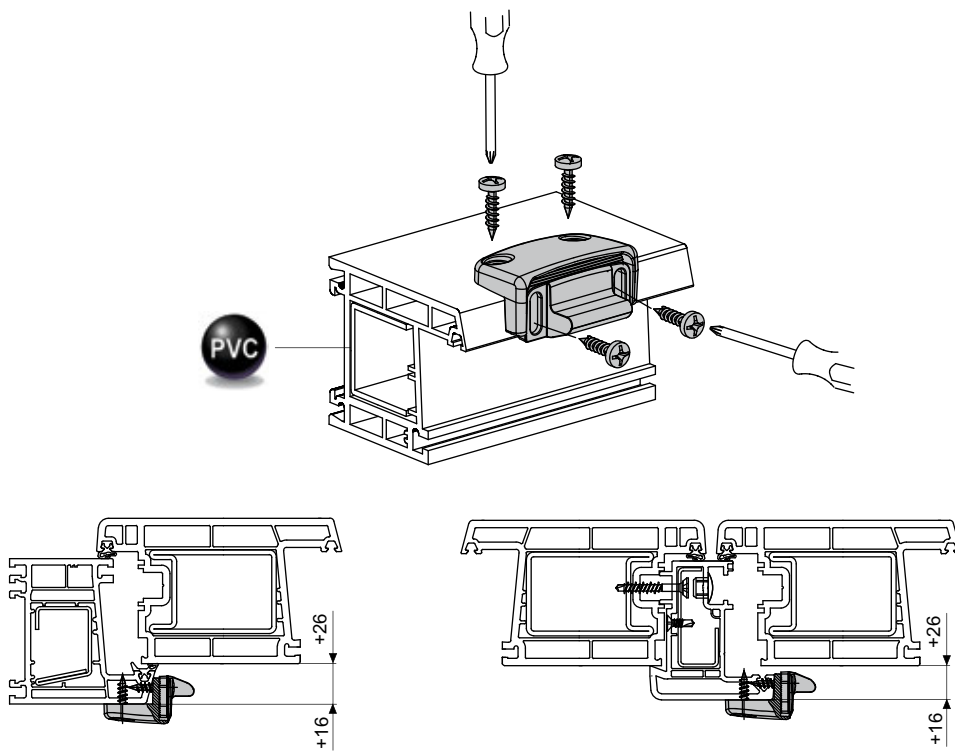
		
8503		5
8503i		25



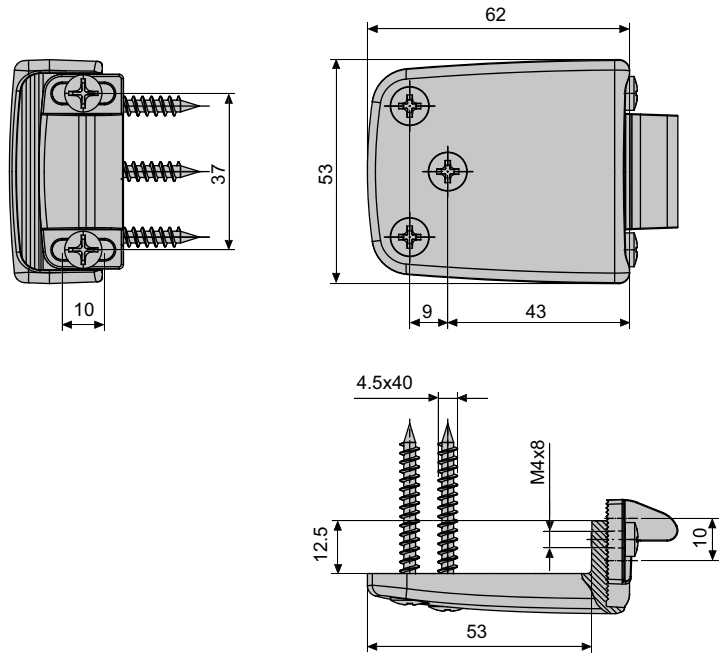


8527
8527i

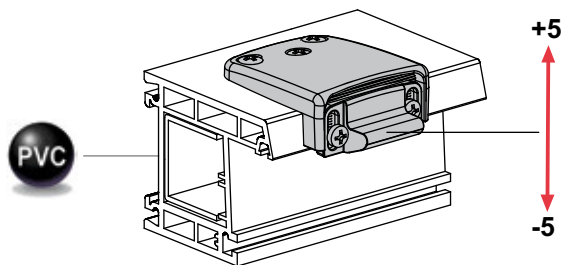
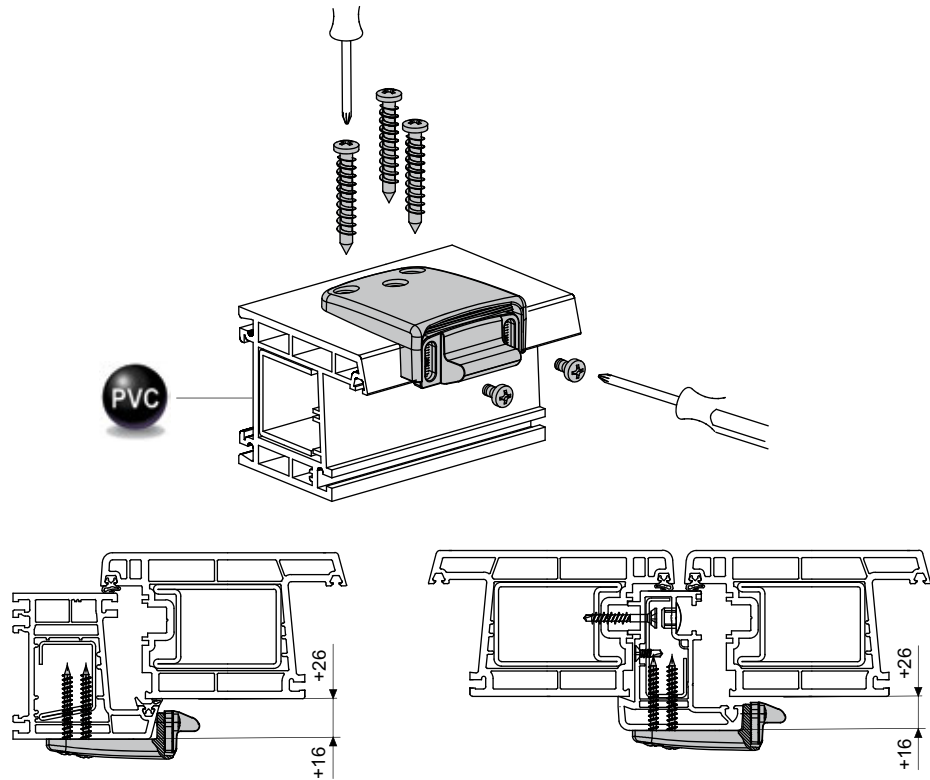
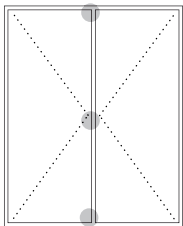
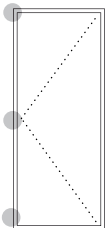
8527		5
8527i		25

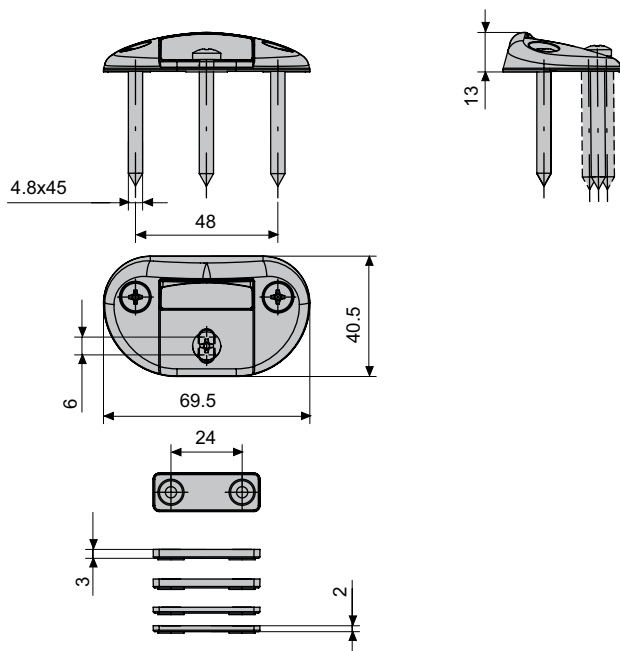


8526



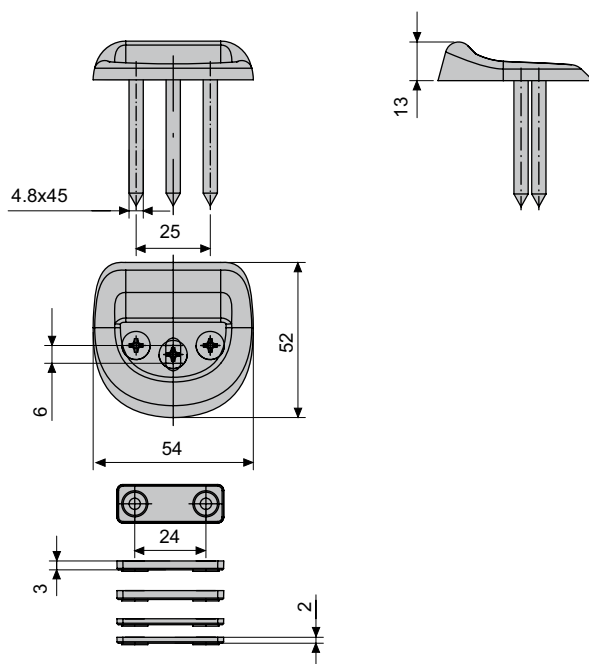
8526		5
------	--	---





8540X
8540Xi

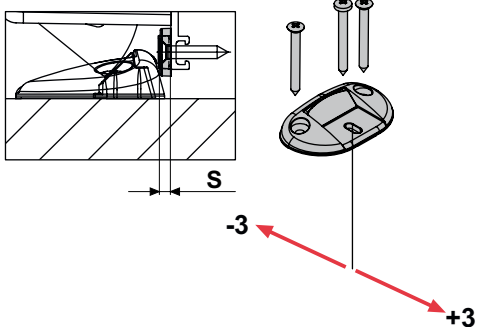
8540X	 AISI 304		5
8540Xi			25



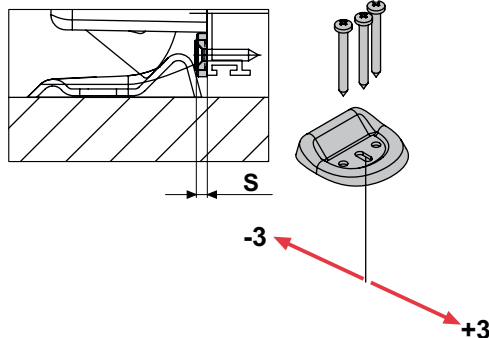
8542X
8542Xi

8542X			5
8542Xi			25

Art. 8540X
Art. 8540Xi



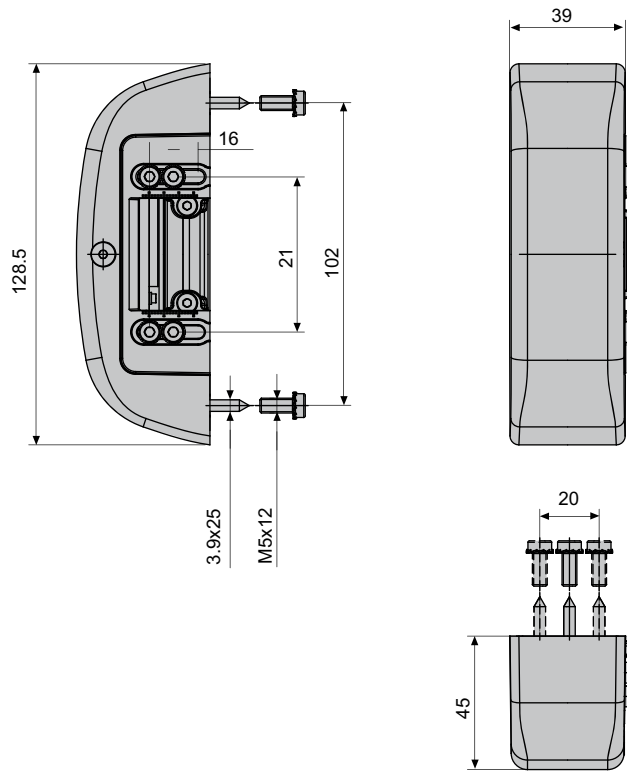
Art. 8542X
Art. 8542Xi



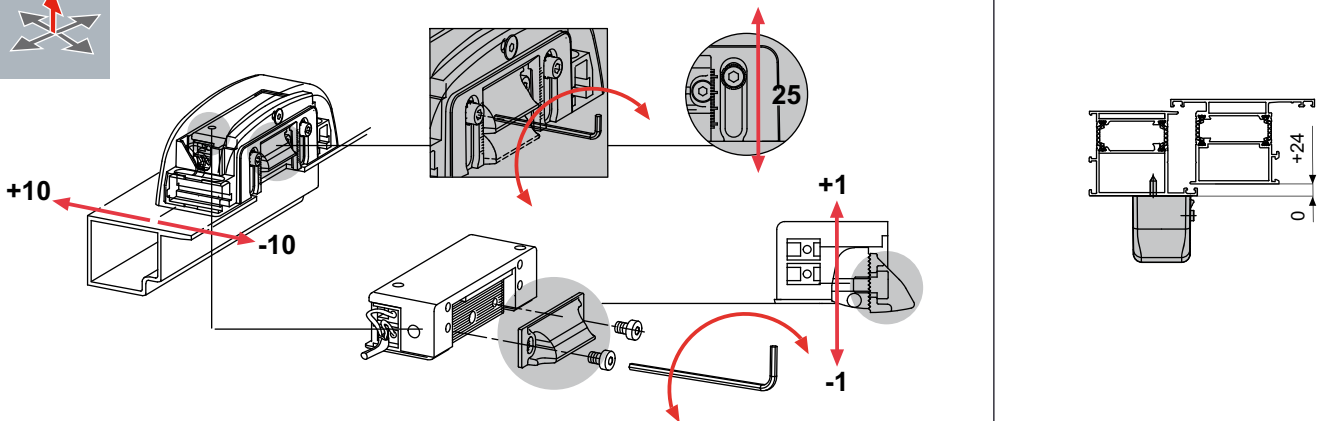
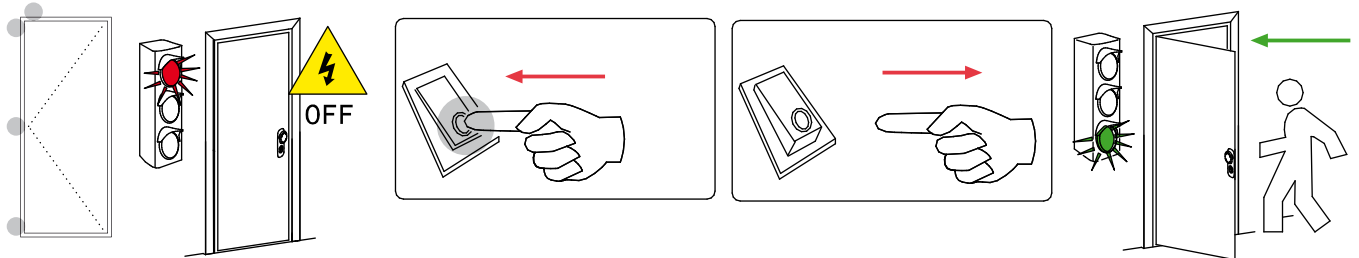
S	
2	2
3	3
4	2+2
5	3+2
6	3+3
7	3+2+2
8	3+3+2
10	3+3+2+2



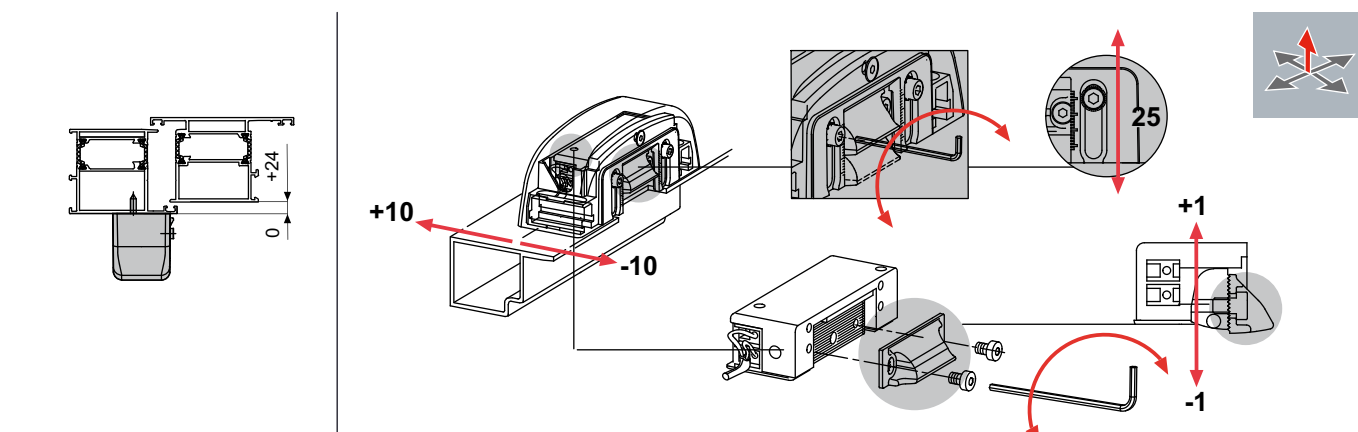
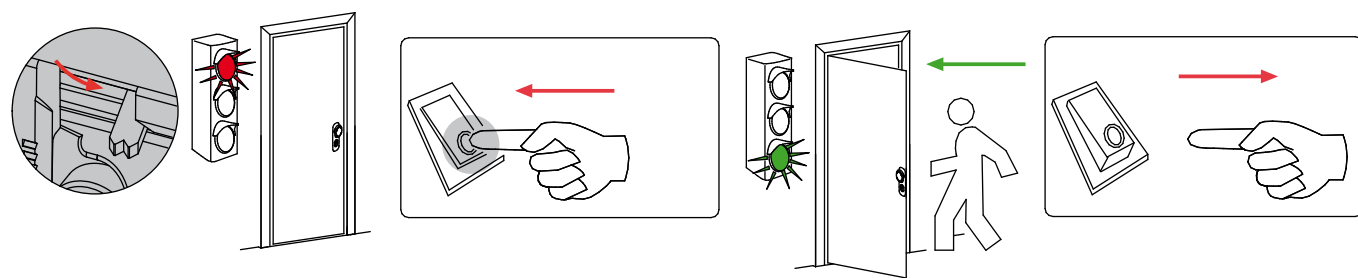
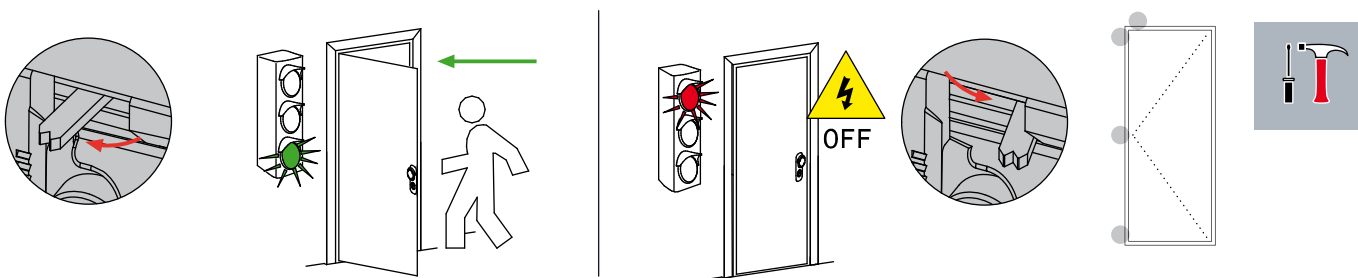
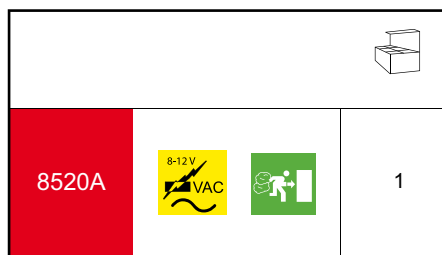
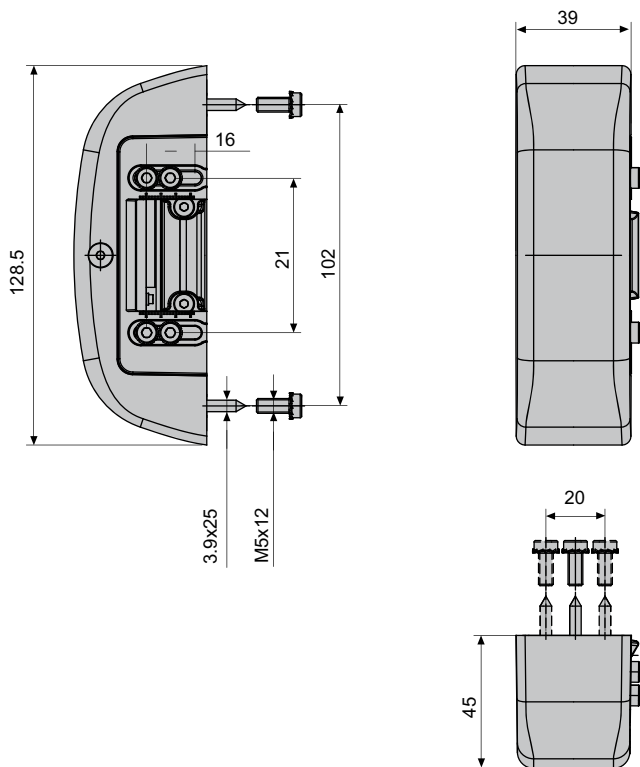
8520



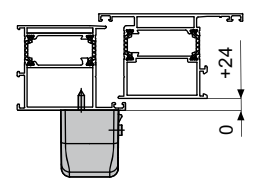
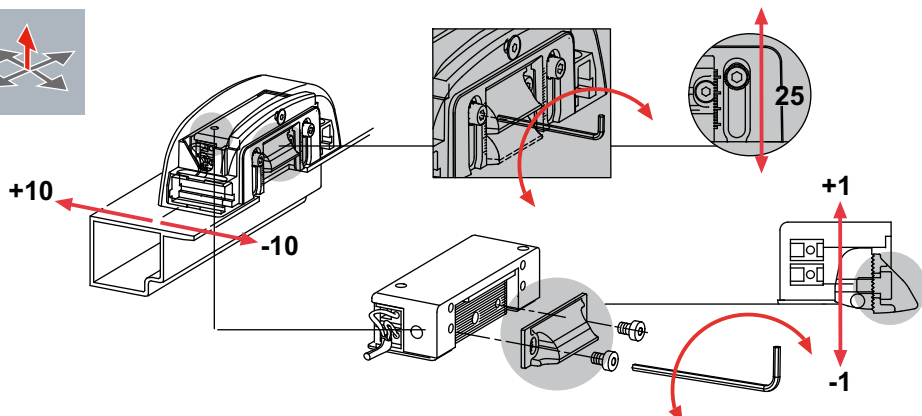
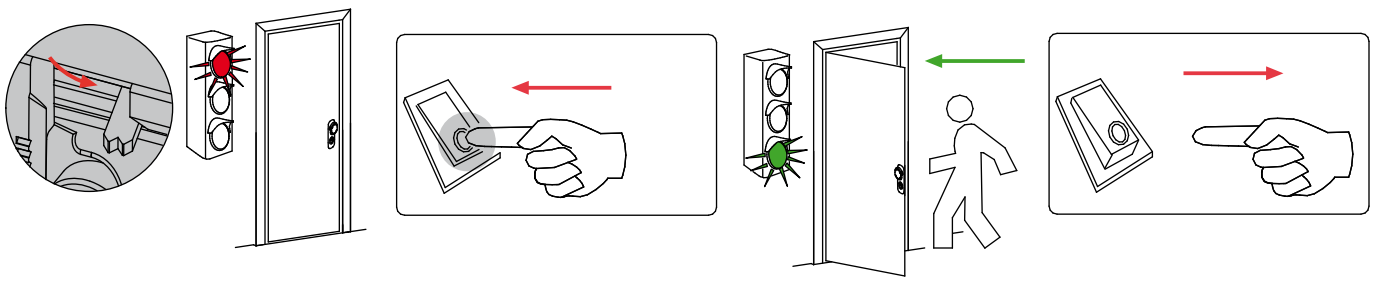
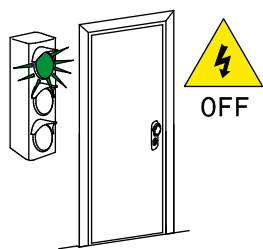
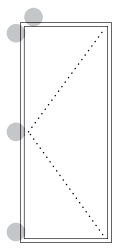
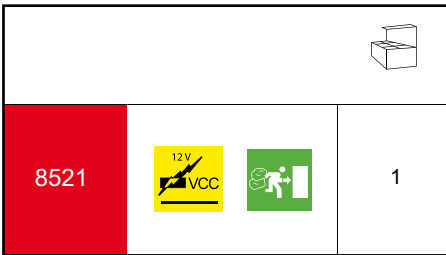
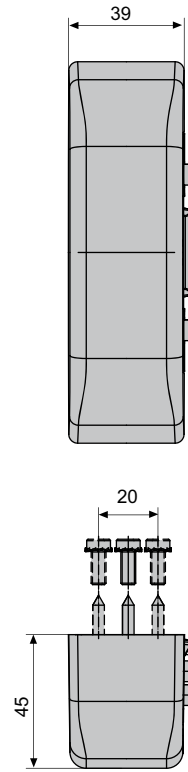
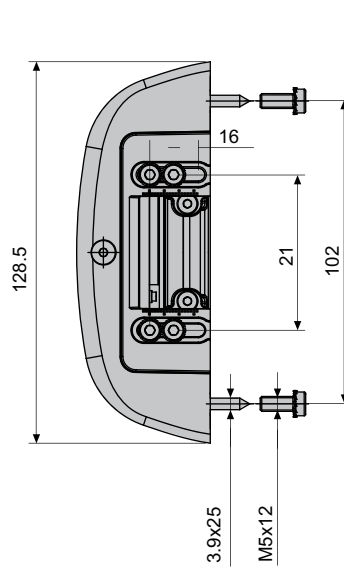
8520		1
------	--	---



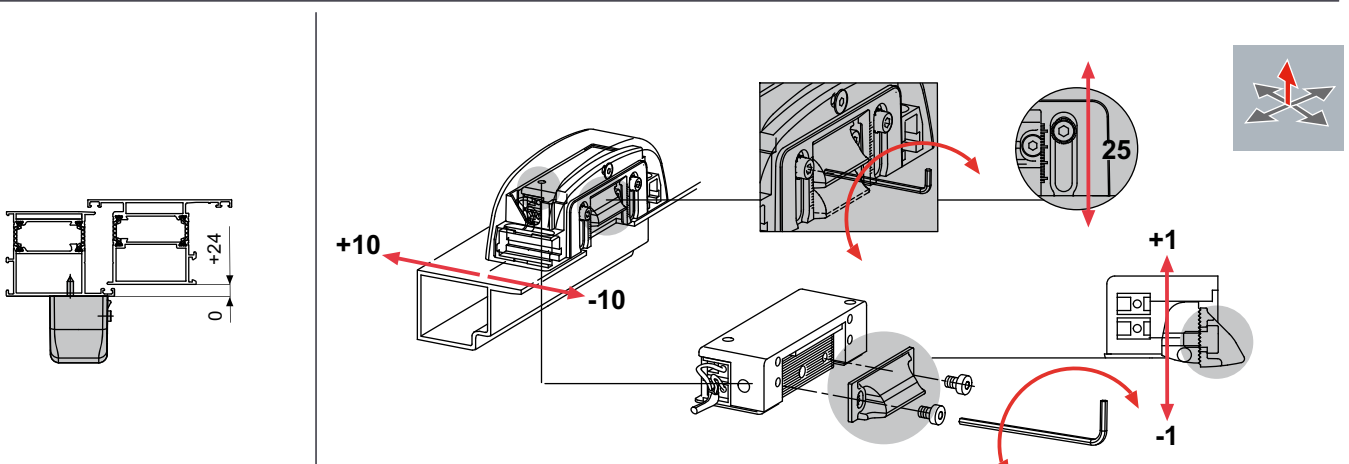
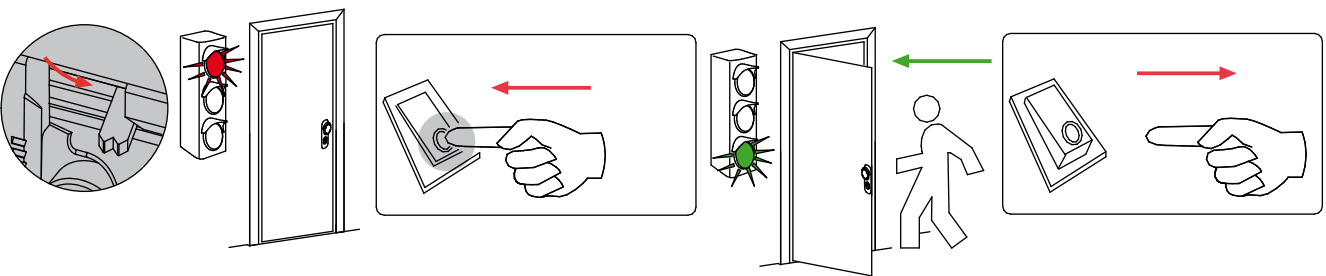
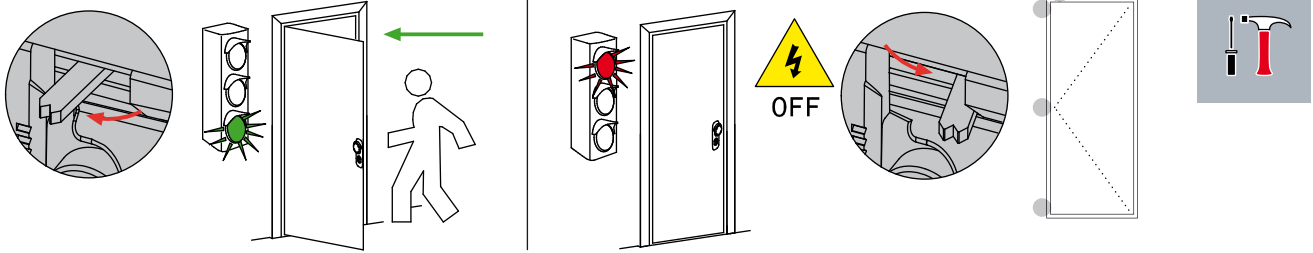
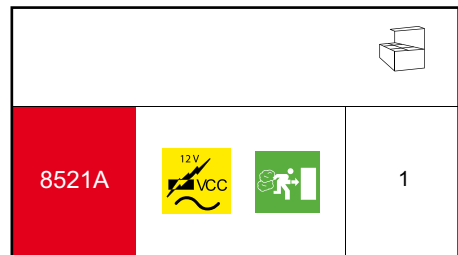
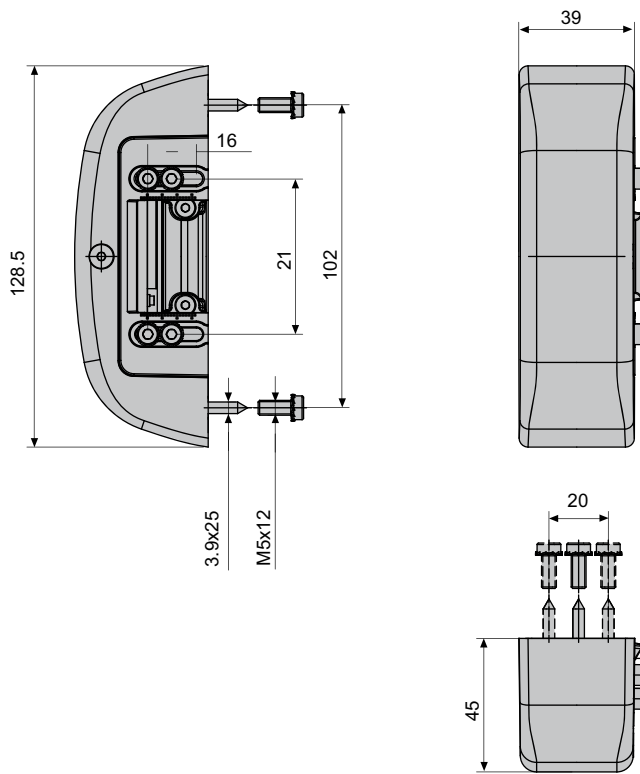
8520A



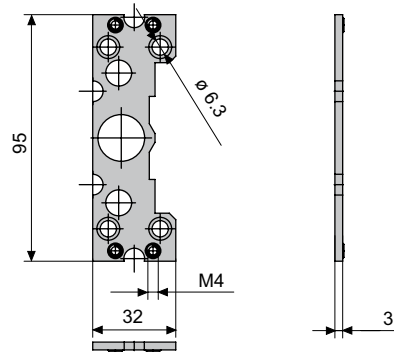
8521



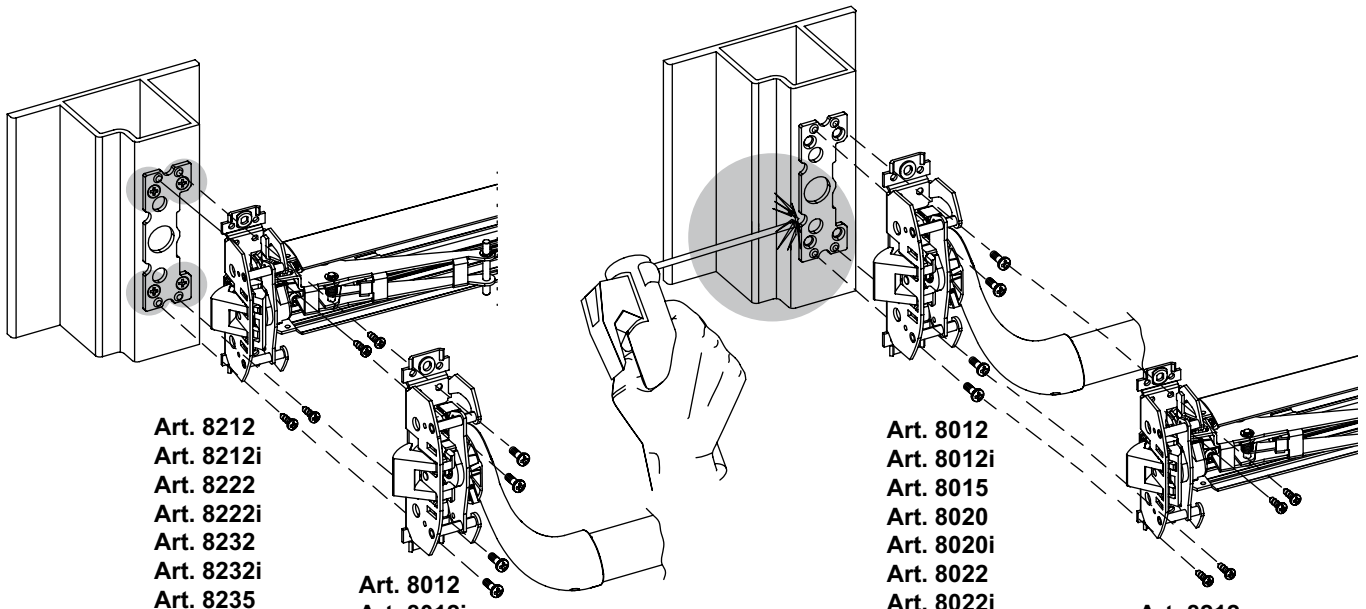
8521A



8140
8140X



8140				
8140X			PANAMA BAR PANAMA PUSH	25

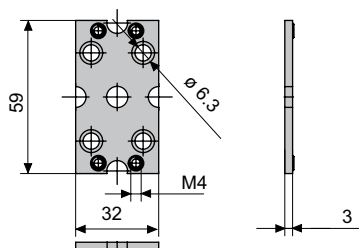


- Art. 8212
- Art. 8212i
- Art. 8222
- Art. 8222i
- Art. 8232
- Art. 8232i
- Art. 8235

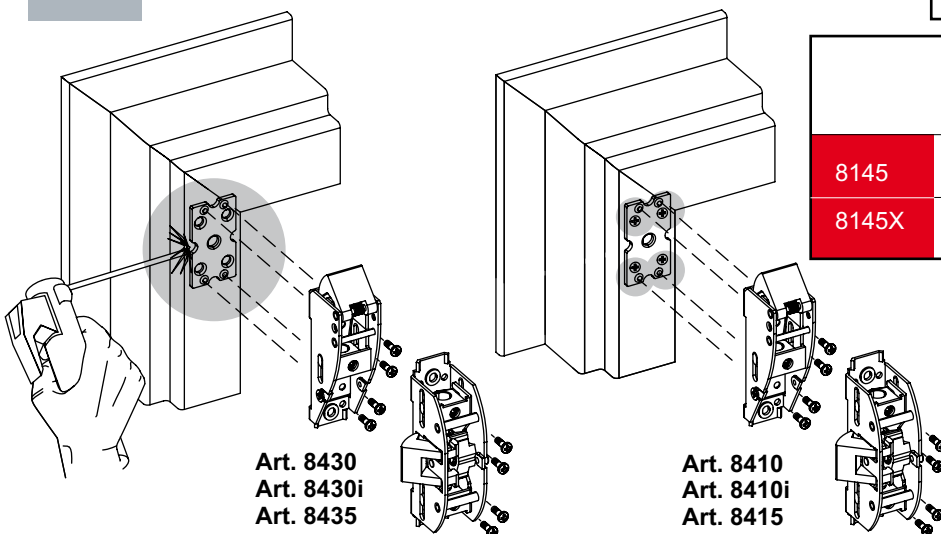
- Art. 8012
- Art. 8012i
- Art. 8015
- Art. 8020
- Art. 8020i
- Art. 8022
- Art. 8022i
- Art. 8032
- Art. 8032i
- Art. 8035
- Art. 8040
- Art. 8040i
- Art. 8050

- Art. 8012
- Art. 8012i
- Art. 8015
- Art. 8020
- Art. 8020i
- Art. 8022
- Art. 8022i
- Art. 8032
- Art. 8032i
- Art. 8035
- Art. 8040
- Art. 8040i
- Art. 8050

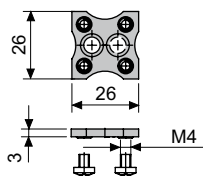
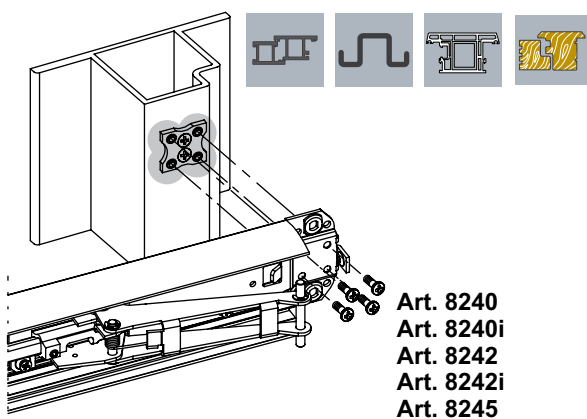
- Art. 8212
- Art. 8212i
- Art. 8222
- Art. 8222i
- Art. 8232
- Art. 8232i
- Art. 8235



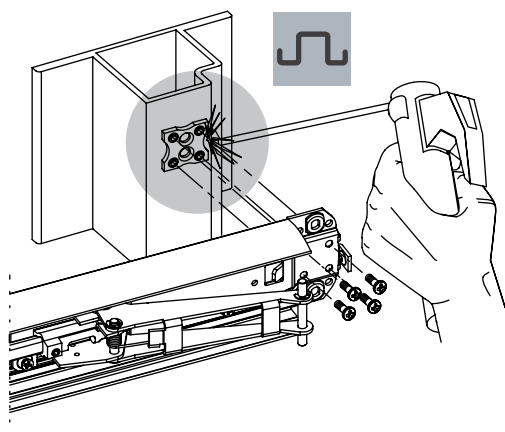
8145
8145X



8145				
8145X				PANAMA BAR PANAMA PUSH PANAMA PAD 25

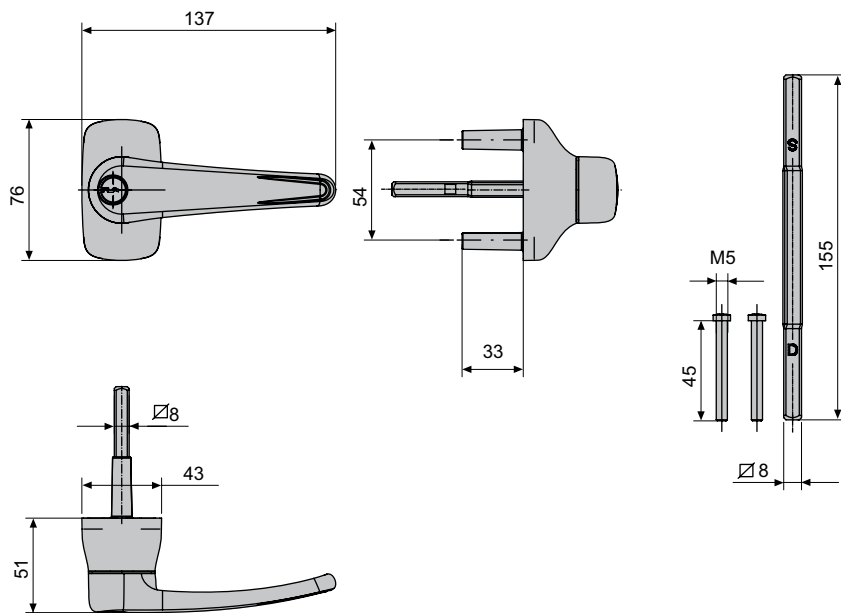


8146

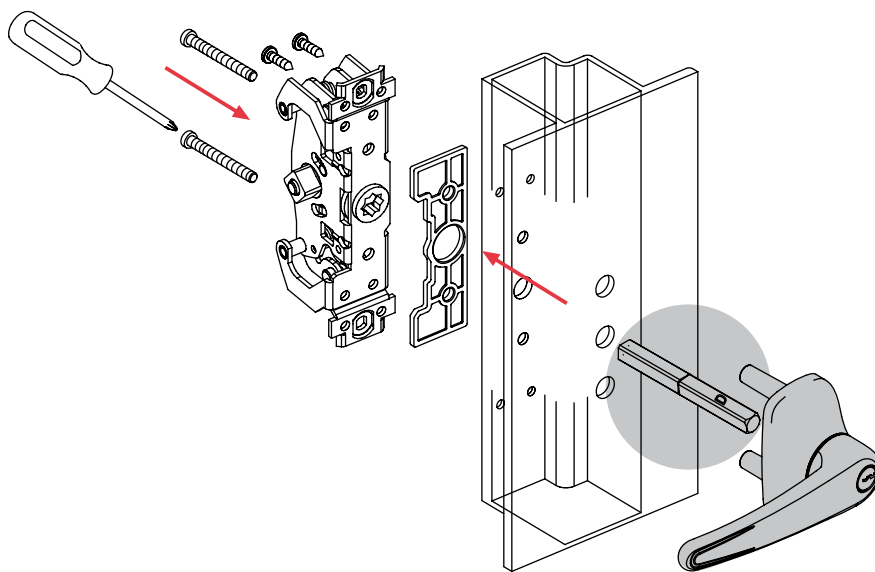
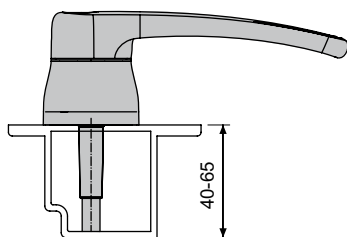


8146			PANAMA PUSH 25
------	--	--	----------------

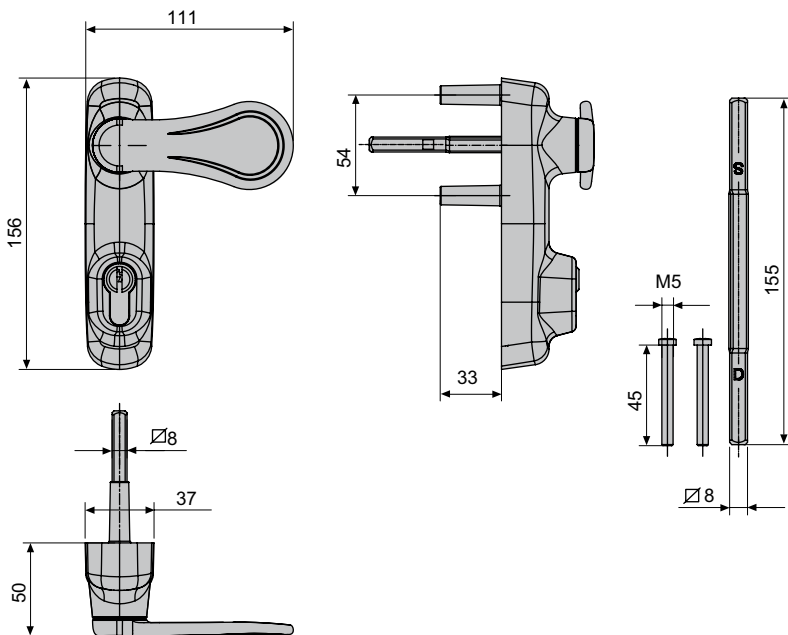
8567i



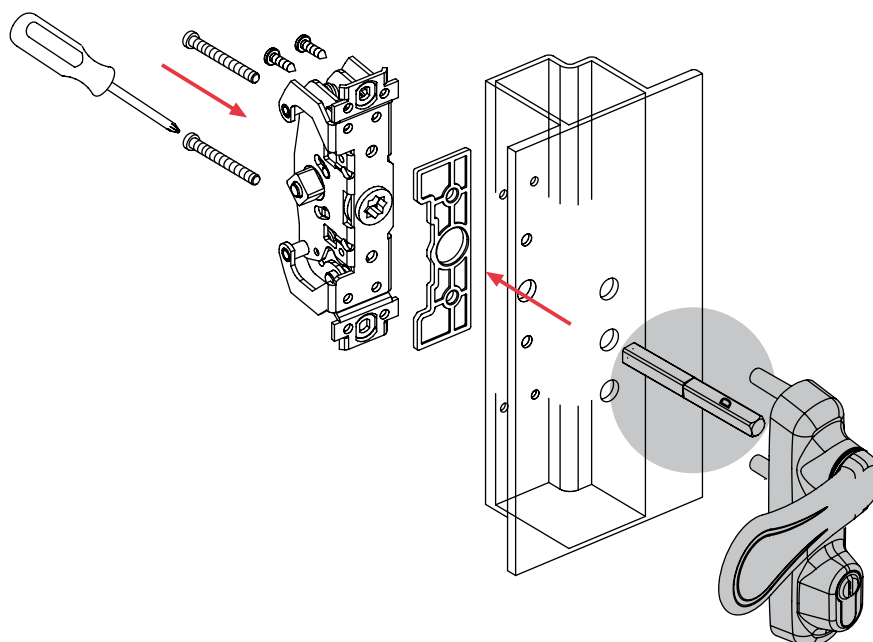
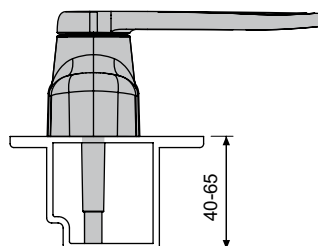
8567i		10



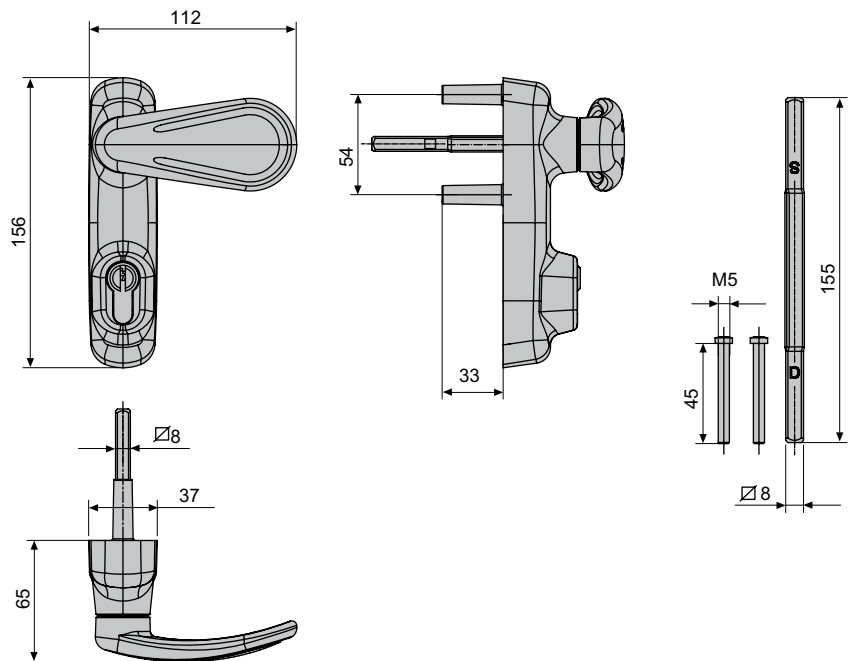
8569I



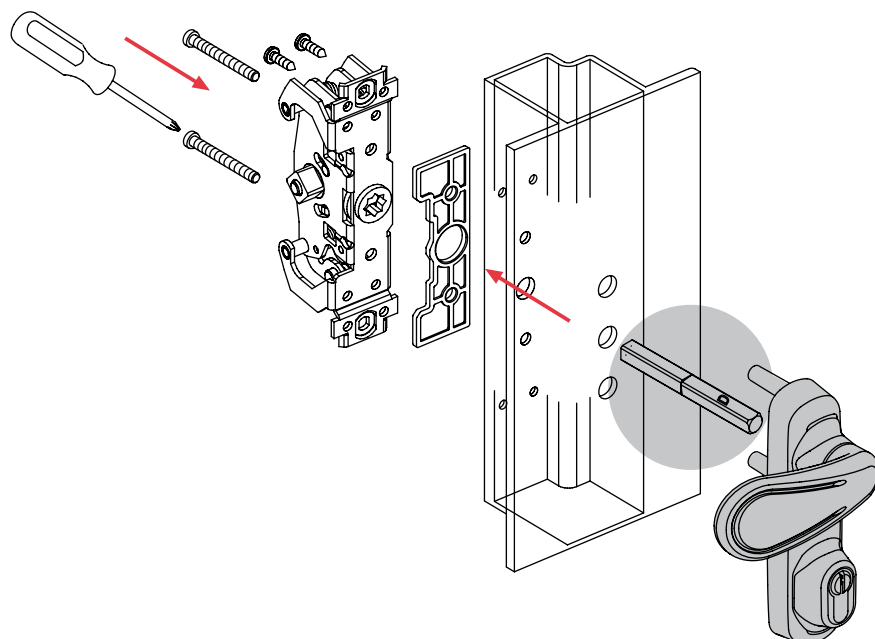
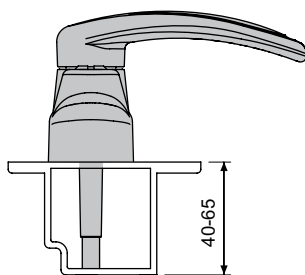
8569I		10

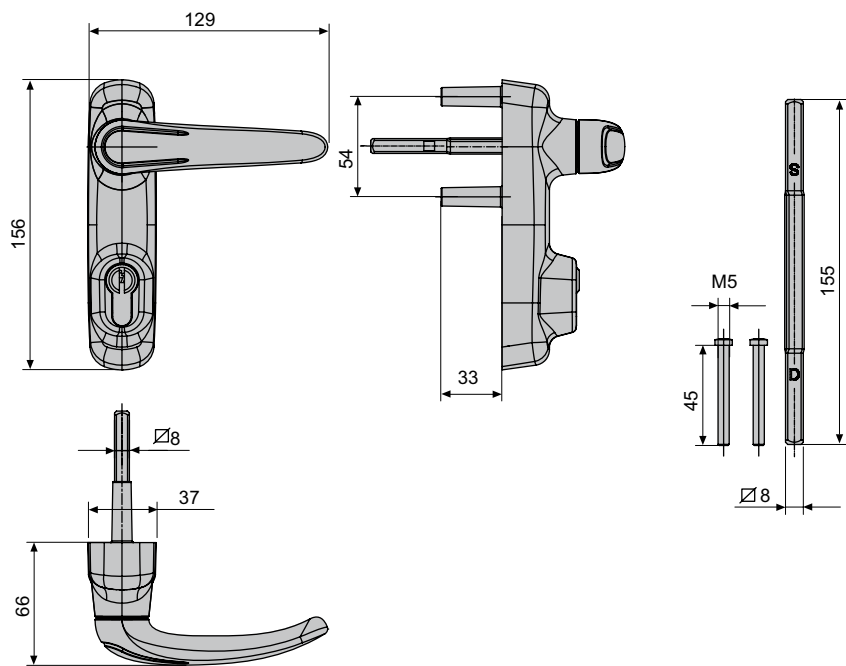


8570
 8570i
 8572
 8572i
 8574



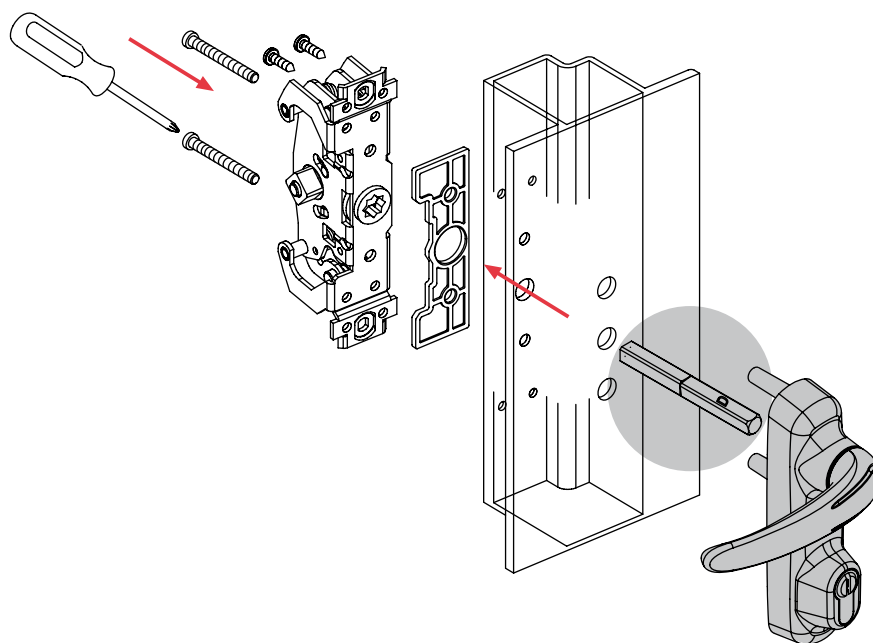
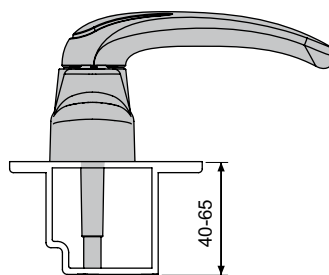
8570		1
8570i		10
8572		1
8572i		10
8574		1



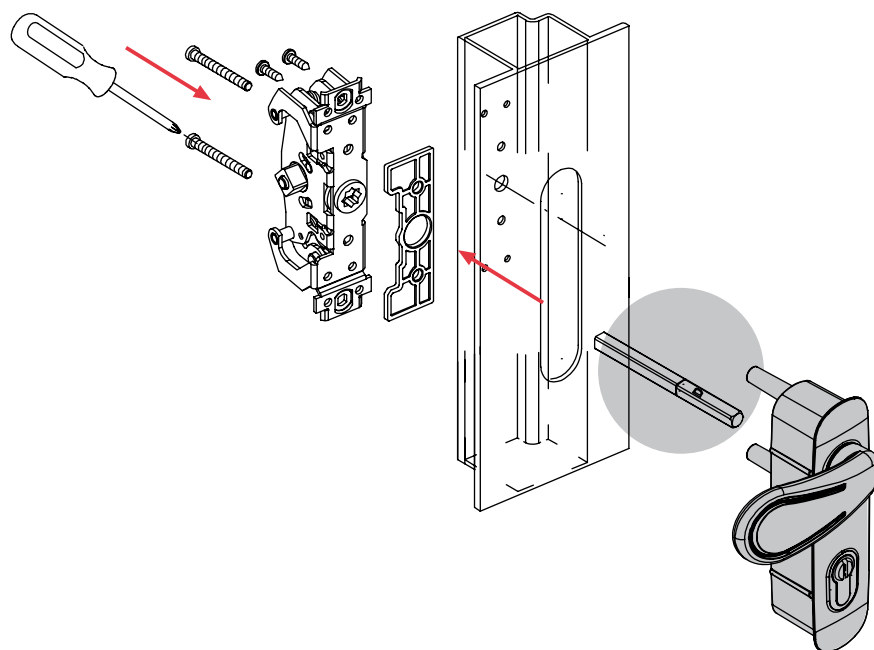
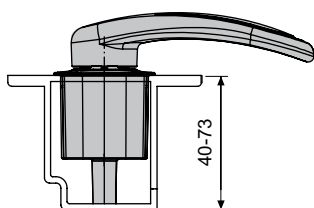
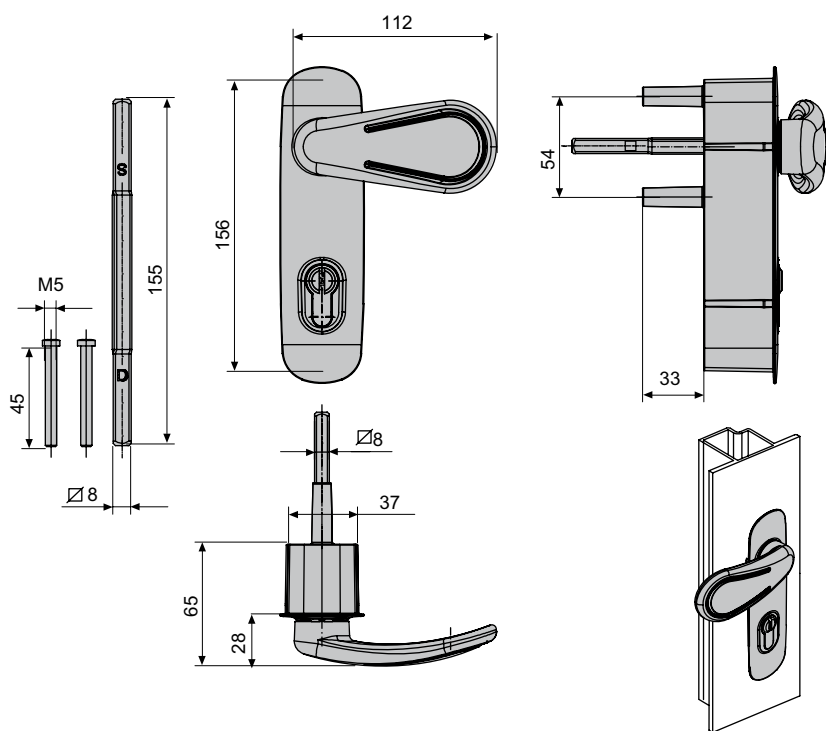
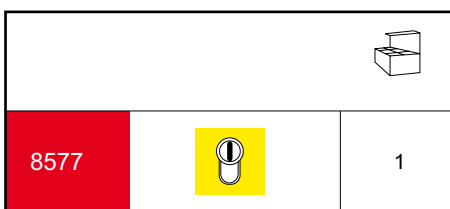


8571
8571i
8573
8573i
8575

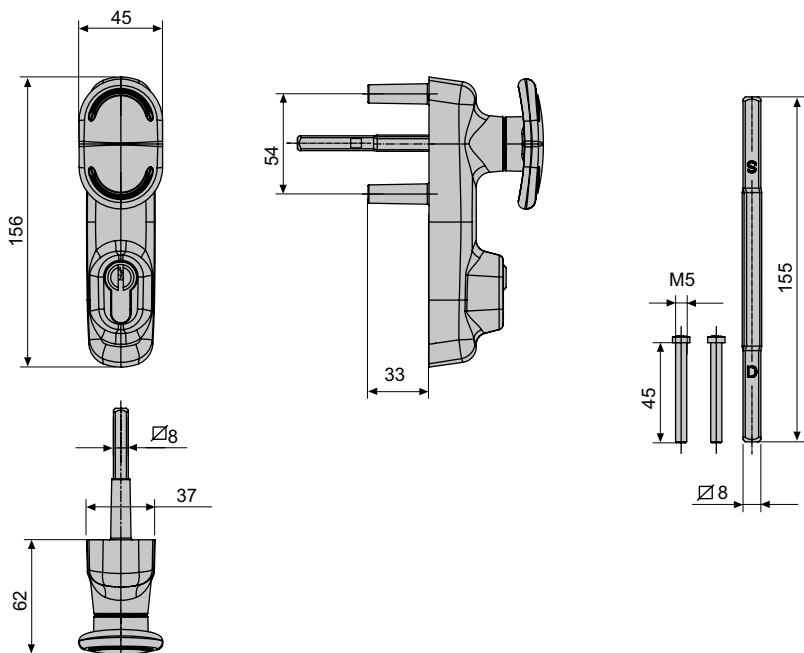
8571		1
8571i		10
8573		1
8573i		10
8575		1



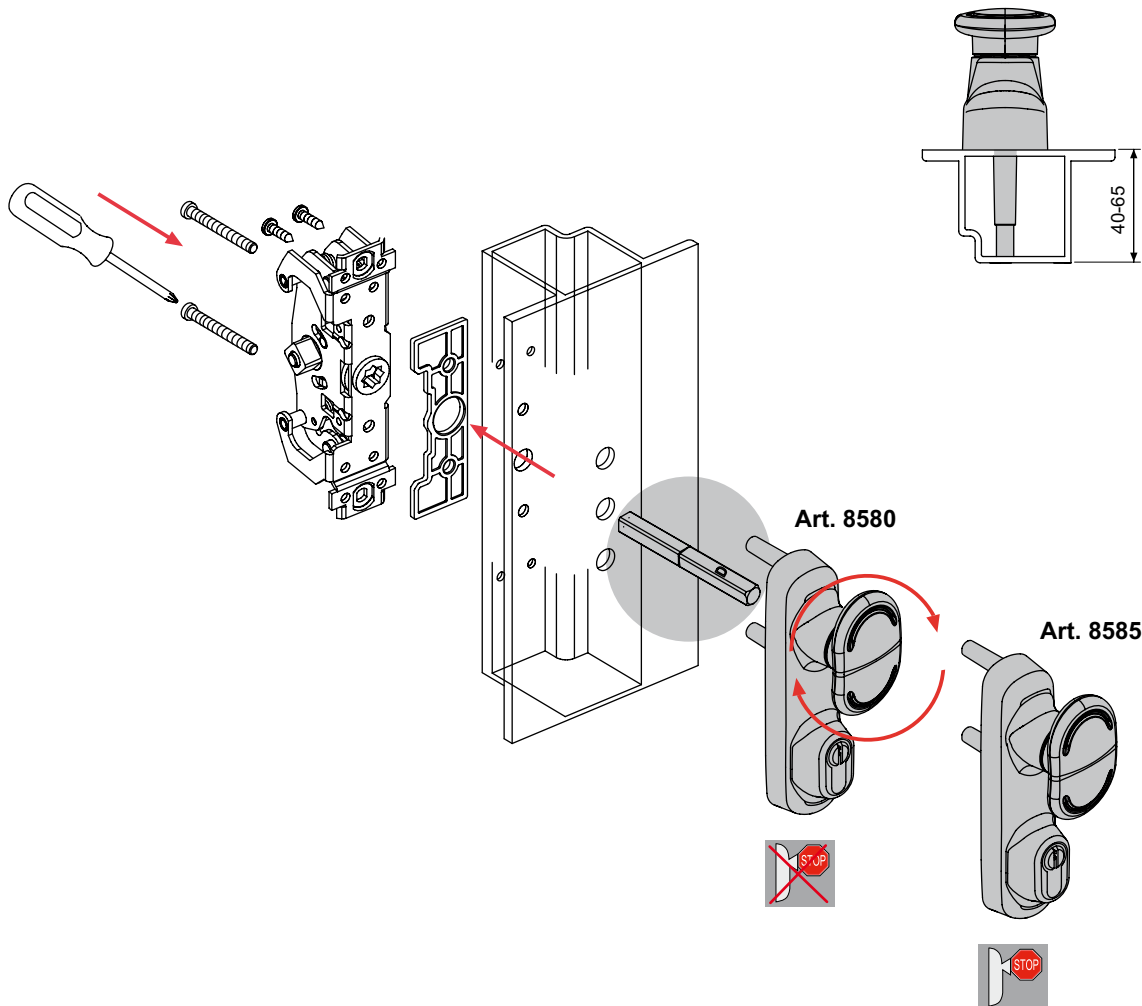
8577



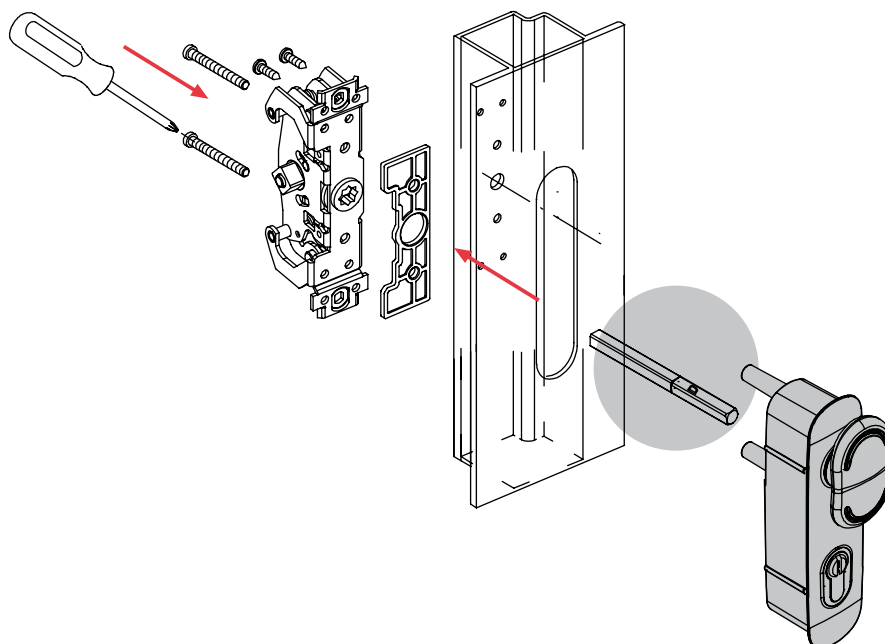
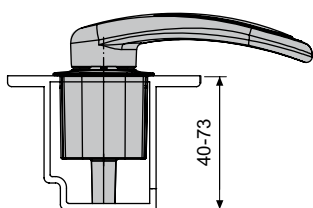
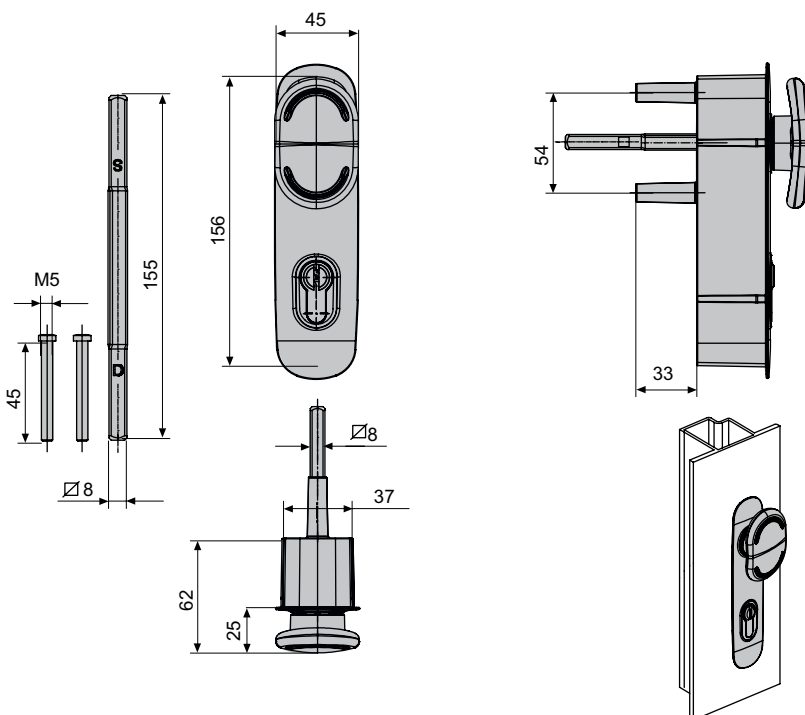
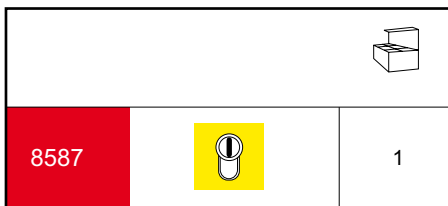
8580
8585



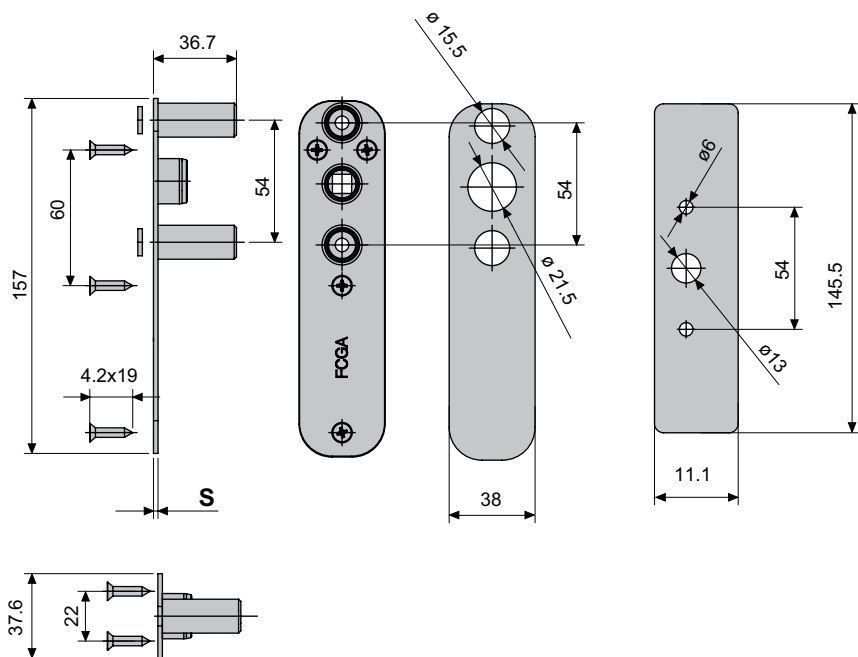
8580			1
8585			1



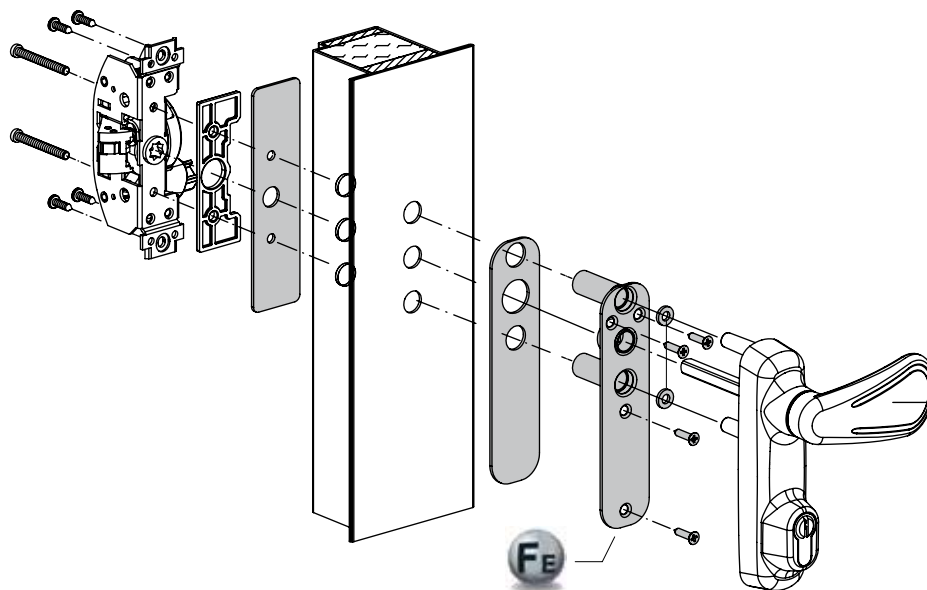
8587



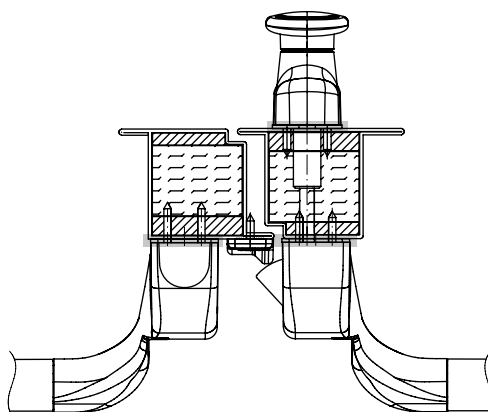
8565



8565		S	2	1



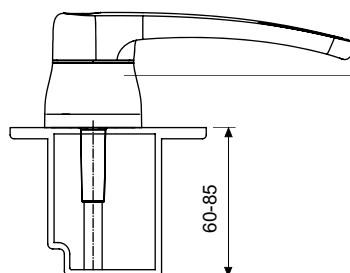
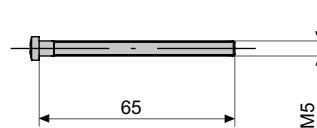
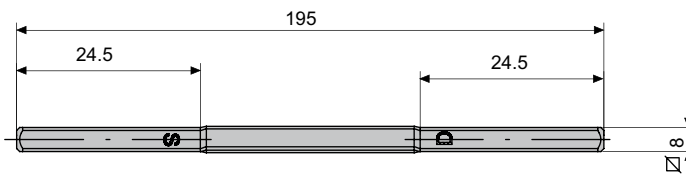
- Art. 8569i
- Art. 8570
- Art. 8570i
- Art. 8572
- Art. 8572i
- Art. 8574
- Art. 8571
- Art. 8571i
- Art. 8572
- Art. 8572i
- Art. 8575
- Art. 8585



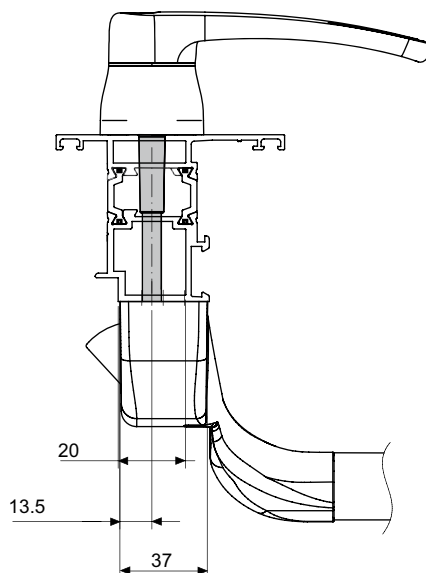
8590

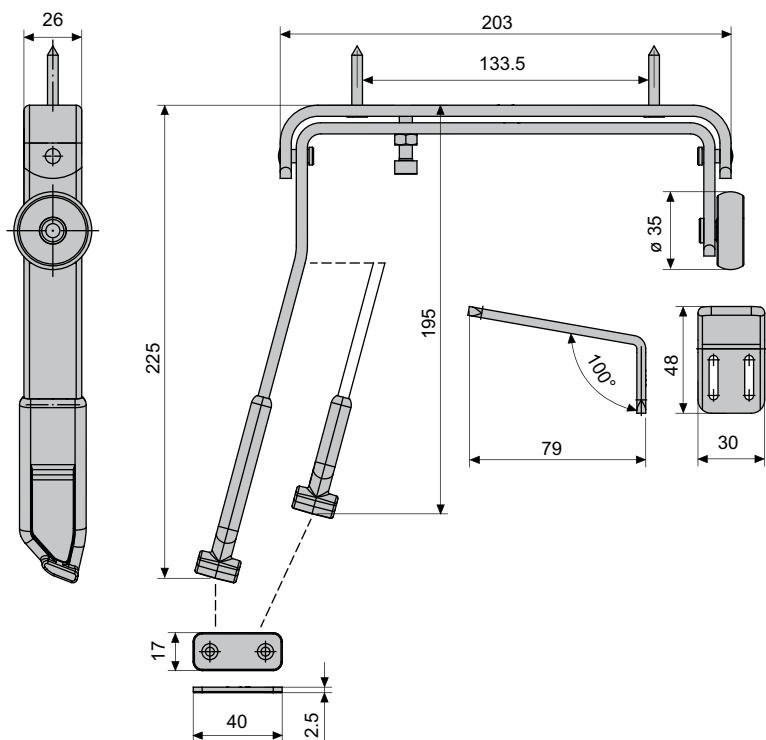


8590	5



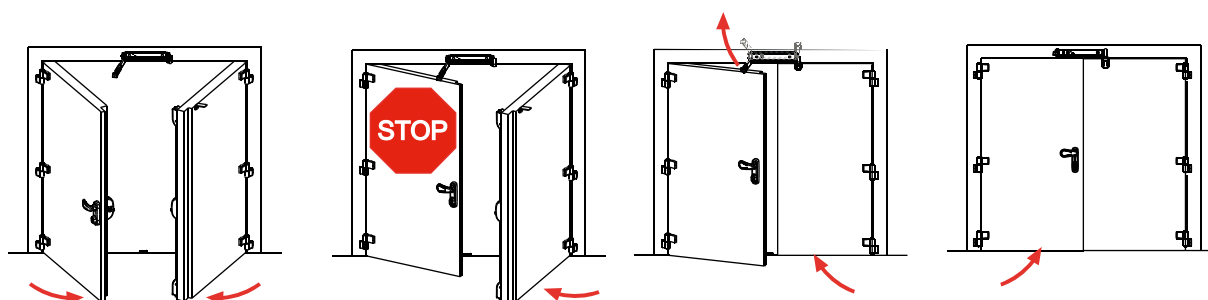
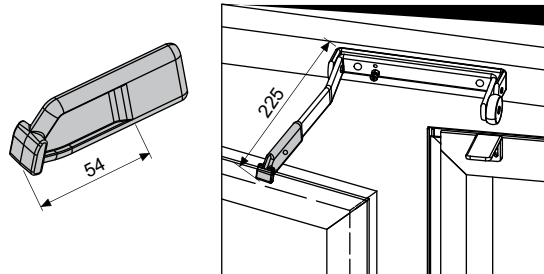
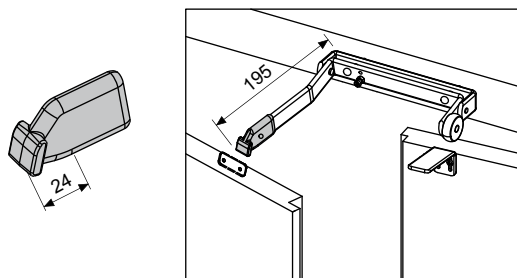
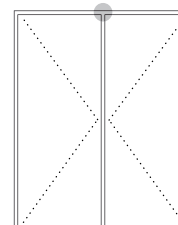
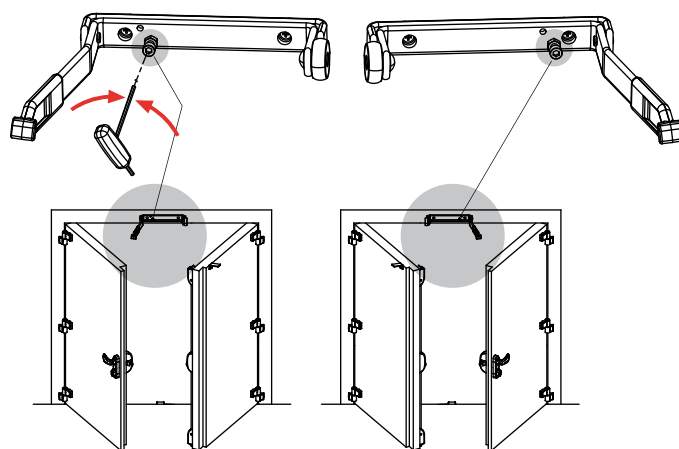
- Art. 8567
- Art. 8569i
- Art. 8570
- Art. 8570i
- Art. 8572
- Art. 8572i
- Art. 8574
- Art. 8571
- Art. 8571i
- Art. 8572
- Art. 8572i
- Art. 8575
- Art. 8577
- Art. 8580
- Art. 8587



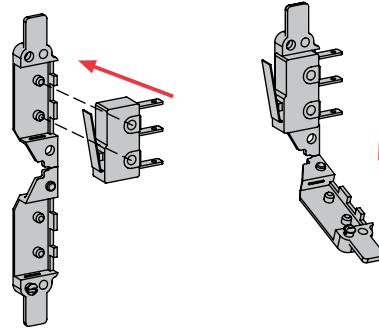


8535
8535i

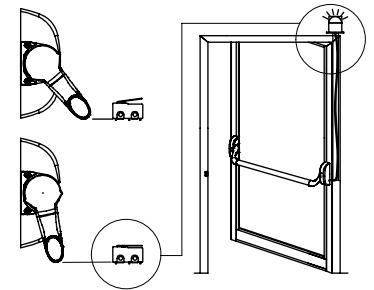
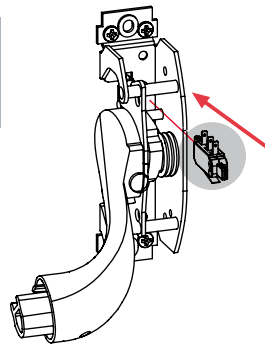
8535	5
8535i	25



8170



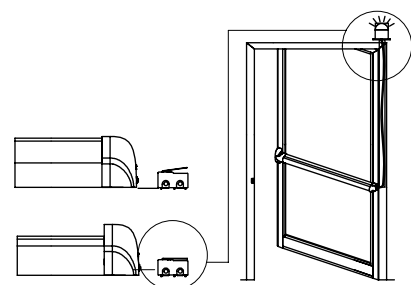
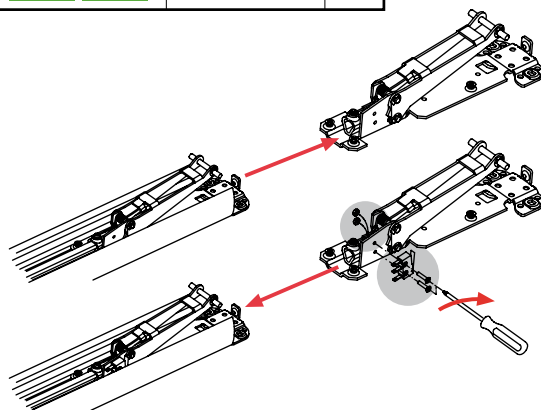
8170	 	PANAMA BAR	5

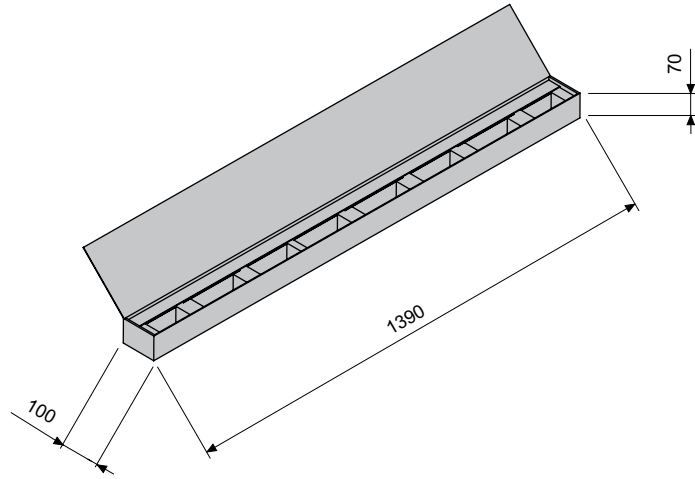


8171




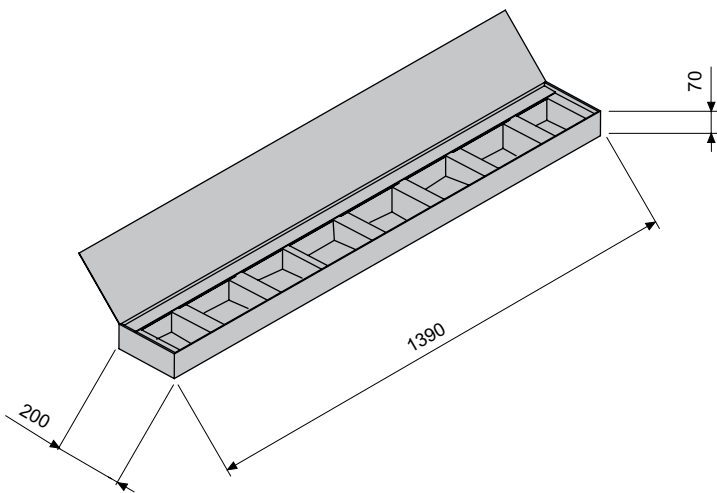
8171	 	PANAMA PUSH	5






8299

		
8299	PANAMA PUSH	25

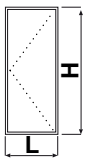
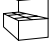








8599

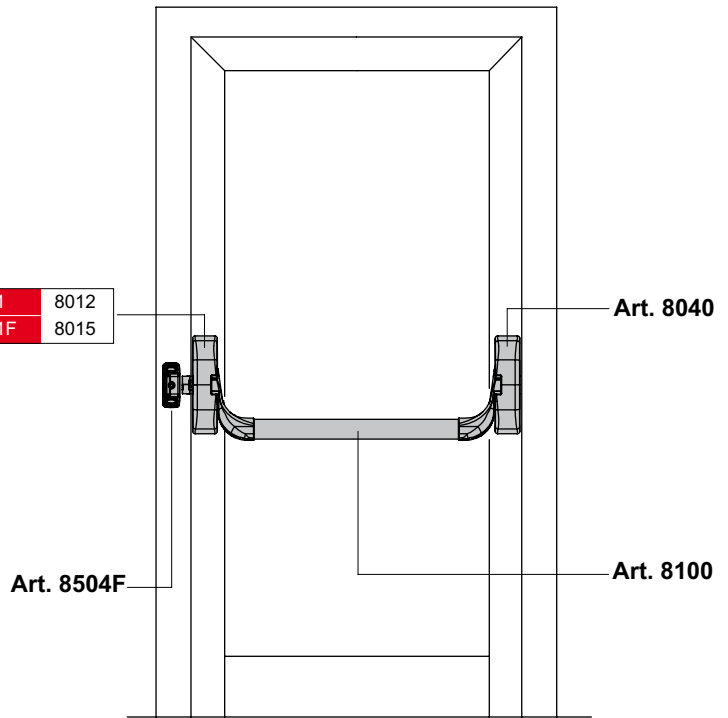
		
8599	PANAMA BAR	50

8801
8801F



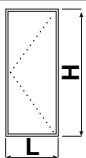
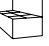






			
8801	 	L: max 1000	1 1090x100x70
8801F	   		

8801 8012
8801F 8015

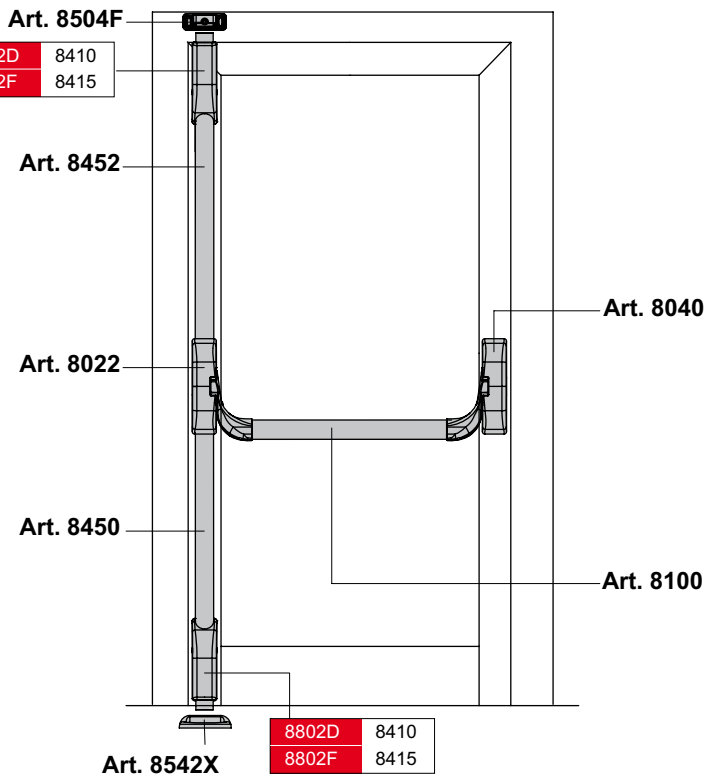


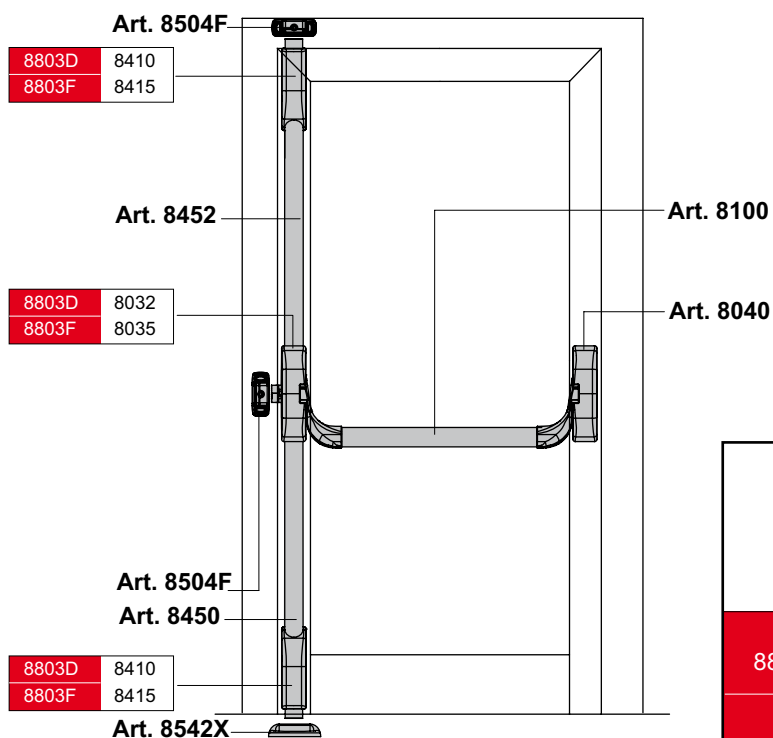
8802D
8802F



			
8802D	 	L: max 1000 H: max 2500	1 1090x100x70
8802F	   		

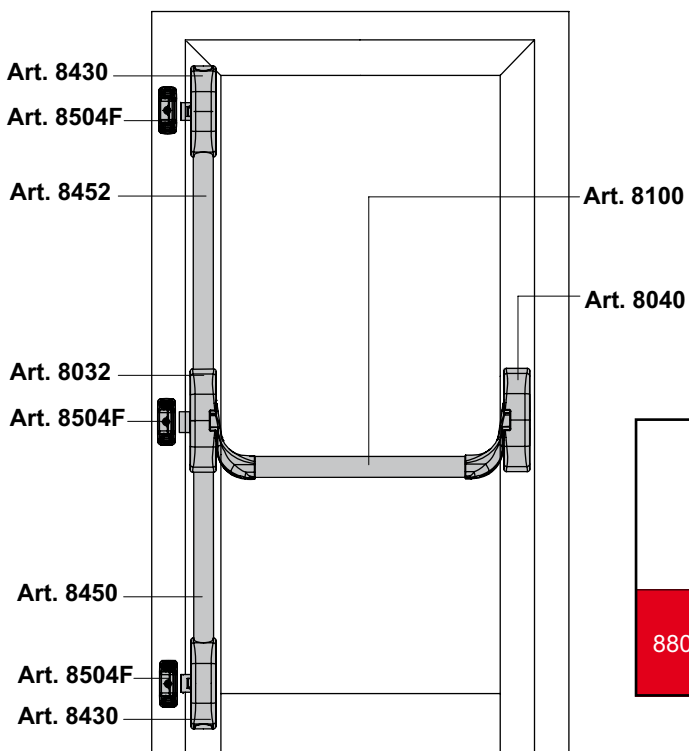
8802D 8410
8802F 8415





8803D
8803F

8803D		L: max 1000 H: max 2500	1 1090x100x70
8803F			



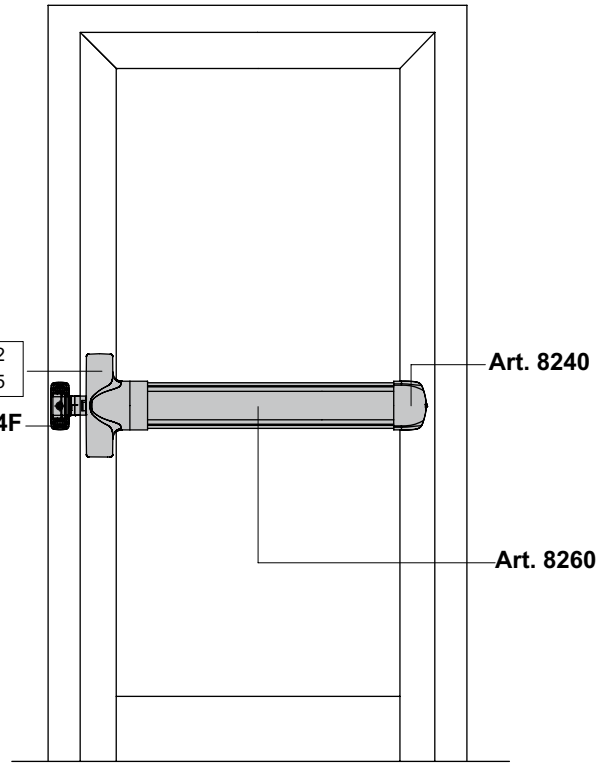
8803DL

8803DL		L: max 1000 H: max 2500	1 1090x100x70

8821
8821F



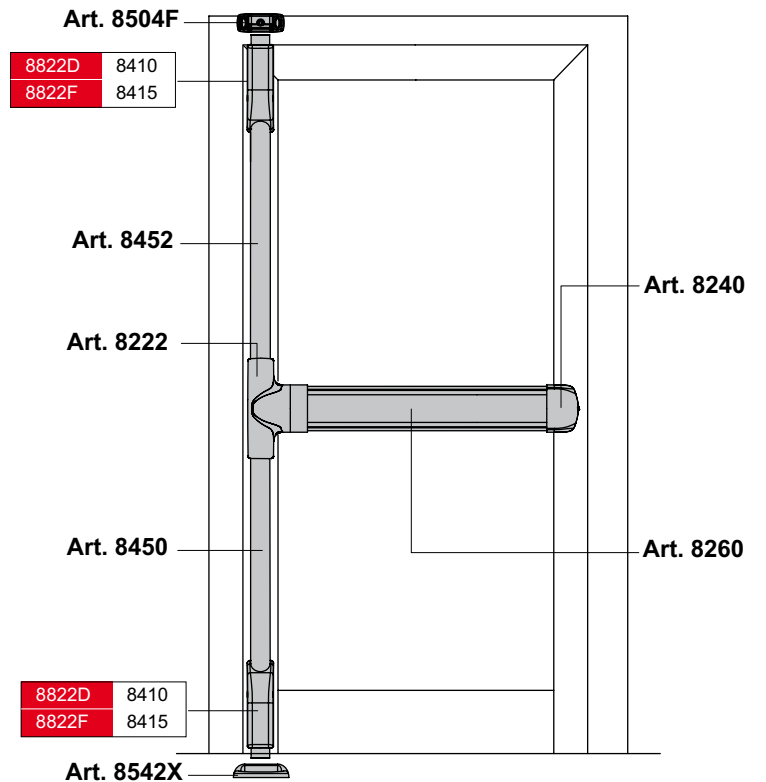
8821	 		L: max 1000	1
8821F	 			1390x100x70

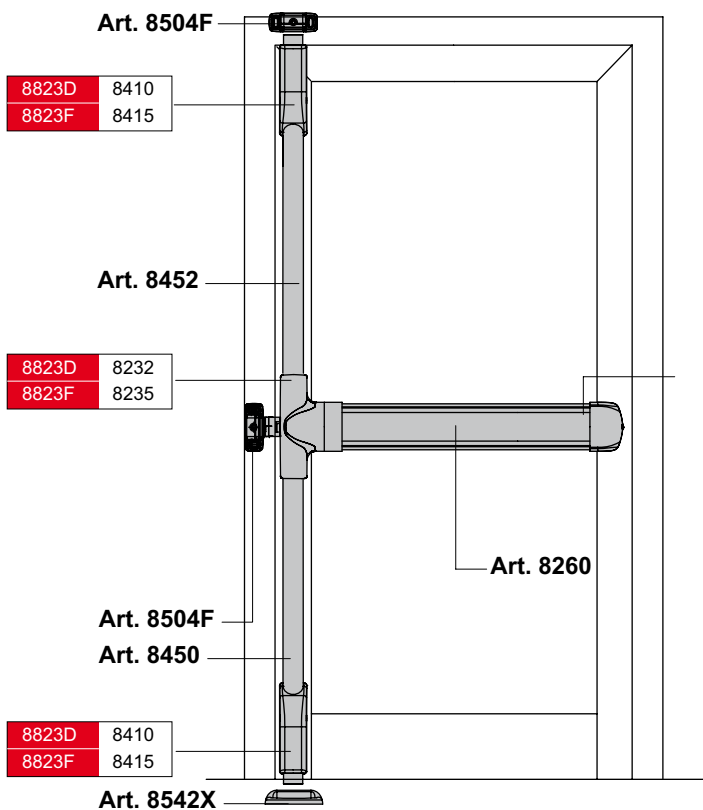


8822D
8822F



8822D	 		L: max 1000	1
8822F	 		H: max 2500	1390x100x70

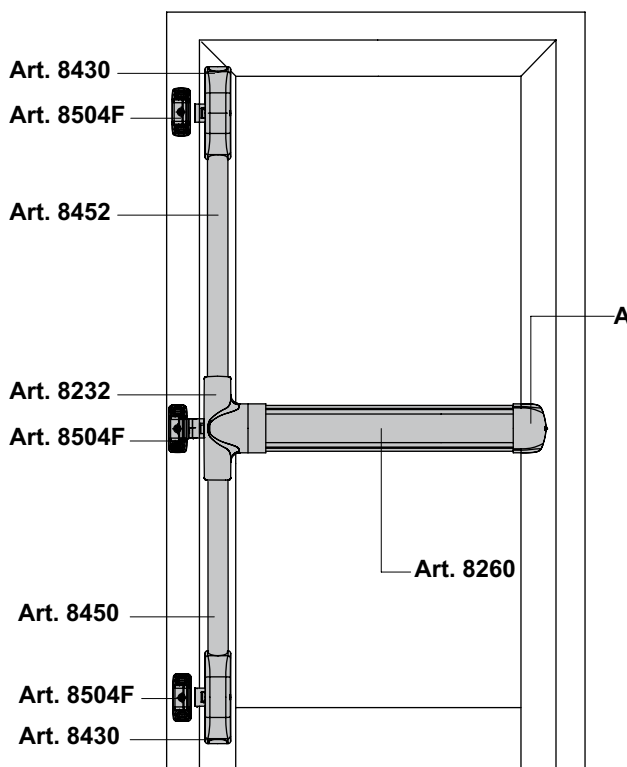




8823D
8823F

Art. 8040

8823D		L:max 1000 H:max 2500	1 1390x100x70
8823F			



8823DL

8823DL		L:max 1000 H:max 2500	1 1390x100x70

PANAMA SYMPLEX

MANIGLIONE ANTIPANICO REVERSIBILE MODULARE PANAMA - MODULAR AND REVERSIBLE PANIC EXIT DEVICE PANAMA
 ANTIPANIQUE RÉVERSIBLE MODULAIRE PANAMA - ANTIPANICO REVERSIBLE MODULAR PANAMA
 PUXADOR ANTIPÁNICO REVERSÍVEL MODULAR PANAMA - REVERSÍBEL MODULAREN PANIKTÜRVERSCHLÜSS PANAMA
 PANIEKSLUITING, OMKEERBAAR EN MODULAIR PANAMA - UNIWERSALNY SYSTEM ANTYPANICZNY PANAMA
 ΜΗΧΑΝΙΣΜΟΣ ΕΞΟΔΟΥ ΠΑΝΙΚΟΥ PANAMA - ΜΟΔΥΛΪΟ ΕΥΣΤΡΩΦΟ ΟΤΚΡΥΒΑΝΤΙΑ Β ΧΕΡΕΣΒΥΝΑΙΝΪΧ ΣΪΤΥΑΤΣΙΩΝ PANAMA
 REVERZIBILNA MODULARNA ANTIPIANIK RUČKA PANAMA

PANAMA 系列逃生门配件

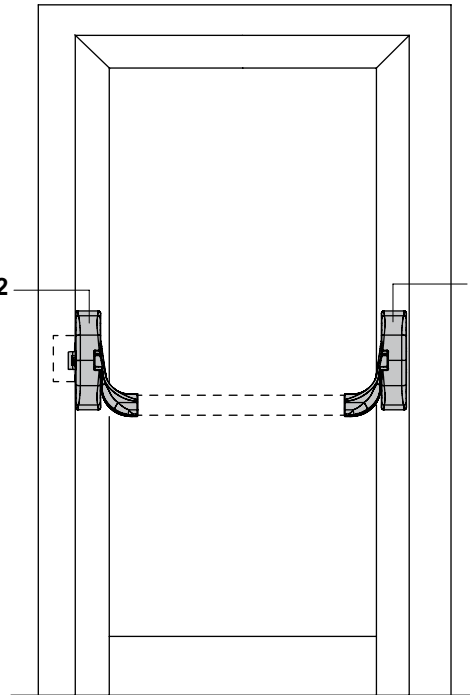
8841



8841		1
		150x200x60

Art. 8012

Art. 8040



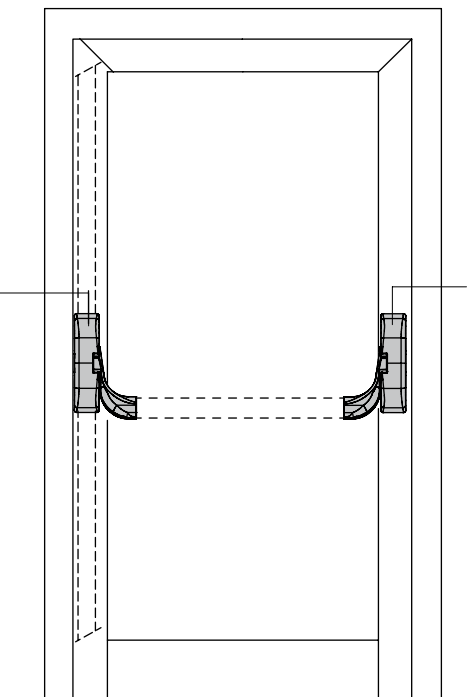
8842
8842A

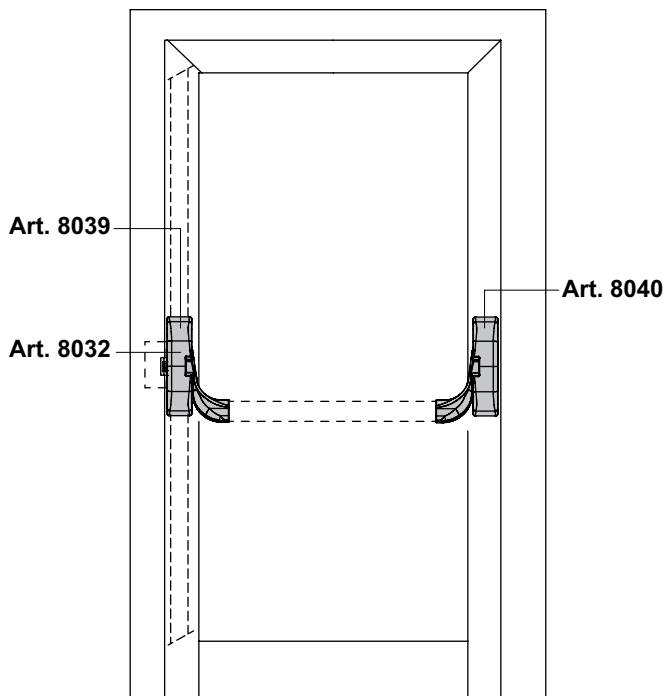


8842		1
8842A		
		150x200x60

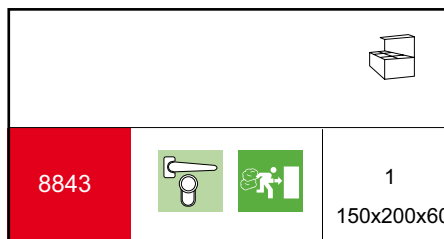
8842	8020
8842A	8022

Art. 8040





8843



PANAMA SYMPLEX

MANIGLIONE ANTIPANICO REVERSIBILE MODULARE PANAMA - MODULAR AND REVERSIBLE PANIC EXIT DEVICE PANAMA
 ANTIPANIQUE RÉVERSIBLE MODULAIRE PANAMA - ANTIPANICO REVERSIBLE MODULAR PANAMA
 PUXADOR ANTIPÁNICO REVERSÍVEL MODULAR PANAMA - REVERSÍBEL MODULIEREN PANIKTÜRVERSCHLUSS PANAMA
 PANIEKSLUITING, OMKEERBAAR EN MODULAIR PANAMA - UNIWEERSALNY SYSTEM ANTYPANICZNY PANAMA
 ΜΗΧΑΝΙΣΜΟΣ ΕΞΟΔΟΥ ΠΑΝΙΚΟΥ PANAMA - ΜΟΔΥΛΗΘΕ ΟΥΣΤΡΟΙΣΤΩ ΟΤΚΡΥΒΑΝΗΡΙΑ Β ΧΕΡΕΖΒΥΝΑΙΗΥΗΧ ΣΗΤΥΑΤΣΙΩΝ PANAMA
 REVERZIBILNA MODULARNA ANTIPIANIK RUČKA PANAMA

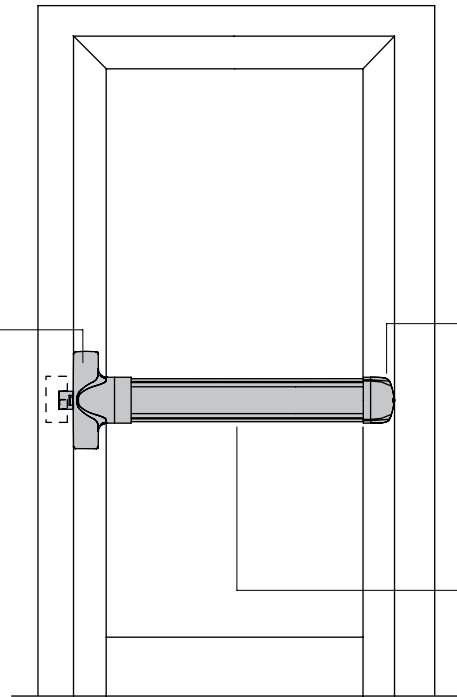
PANAMA 系列逃生门配件

8851
8861



8851				max 1000	1	1090x195x75
8861				max 1300	1	1390x195x75

Art. 8212



8851 8240
8861 8242

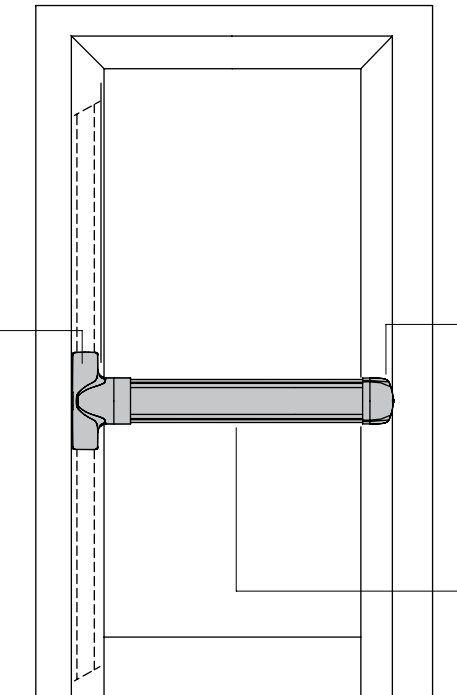
8851 8260
8861 8262

8852
8862



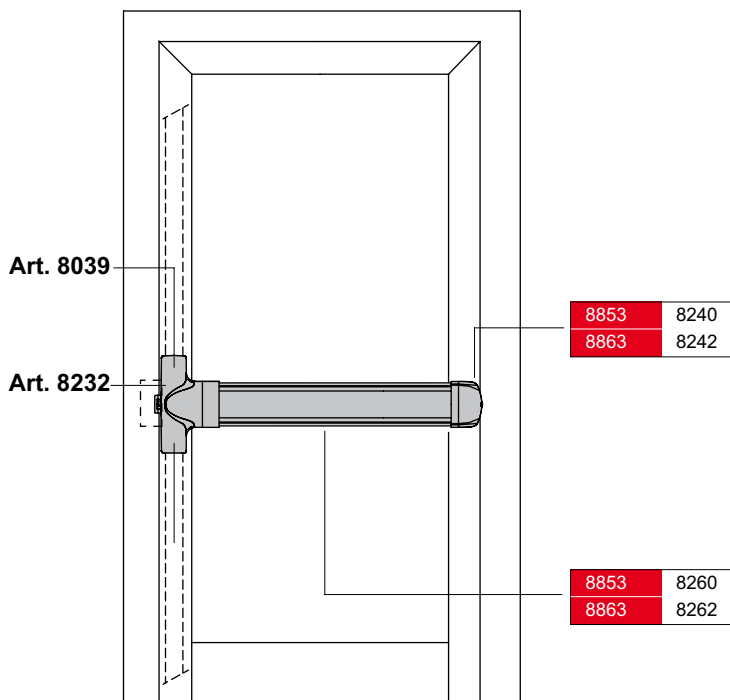
8852				max 1000	1	1090x195x75
8862				max 1300	1	1390x195x75

Art. 8222




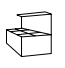






8852 8240
8862 8242

8852 8260
8862 8262



8853
8863

				
8853			max 1000	1 1090x195x75
8863			max 1300	1 1390x195x75

PANAMA SYMPLEX

MANIGLIONE ANTIPANICO REVERSIBILE MODULARE PANAMA - MODULAR AND REVERSIBLE PANIC EXIT DEVICE PANAMA
 ANTIPANIQUE RÉVERSIBLE MODULAIRE PANAMA - ANTIPANICO REVERSIBILE MODULAR PANAMA
 PUXADOR ANTIPÁNICO REVERSÍVEL MODULAR PANAMA - REVERSÍBEL MODULIEREN PANIKTÜRVERSCHLÜSS PANAMA
 PANIEKSLUITING, OMKEERBAAR EN MODULAIR PANAMA - UNIWEERSALNY SYSTEM ANTYPANICZNY PANAMA
 ΜΗΧΑΝΙΣΜΟΣ ΕΞΟΔΟΥ ΠΑΝΙΚΟΥ PANAMA - МОДУЛЬНОЕ УСТРОЙСТВО ОТКРЫВАНИЯ В ЧЕРЕЗВЫЧАЙНЫХ СИТУАЦИЯХ PANAMA
 REVERZIBILNA MODULARNA ANTI PANIK RUČKA PANAMA

PANAMA 系列逃生门配件

8880



8880		max 2500	1 L=1500 ø 80

Art. 8405

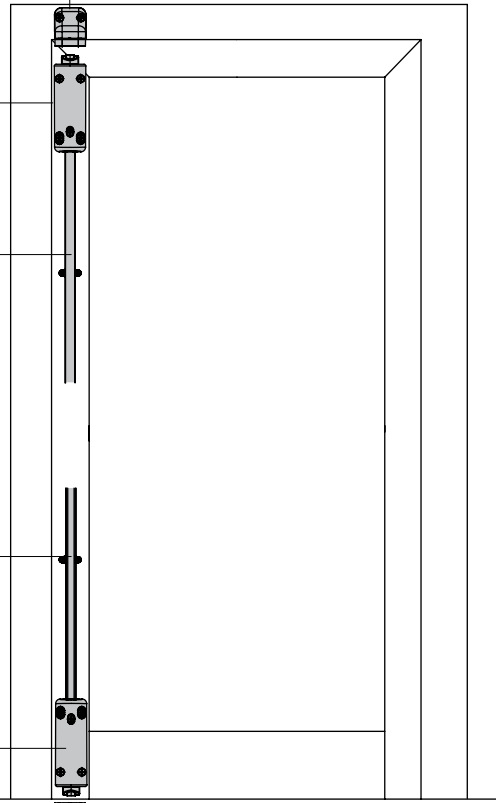
Art. 8400

Art. 8442

Art. 8440

Art. 8400

Art. 8406X



8890



8890		max 2500	1 L=1500 ø 80

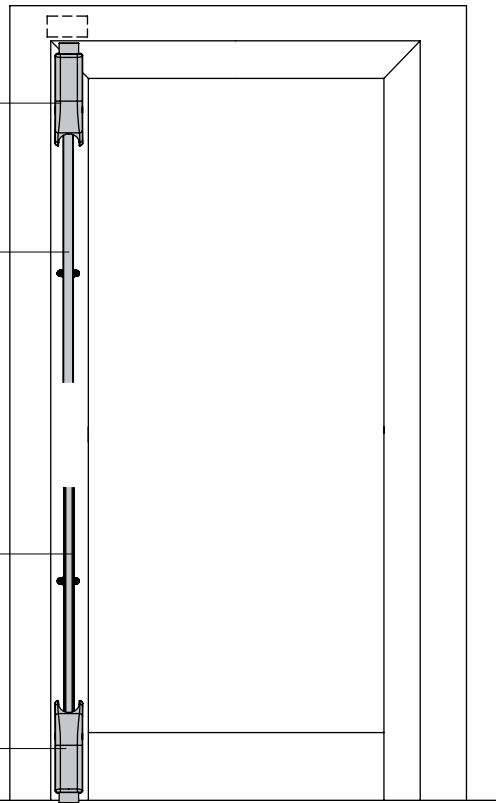
Art. 8410

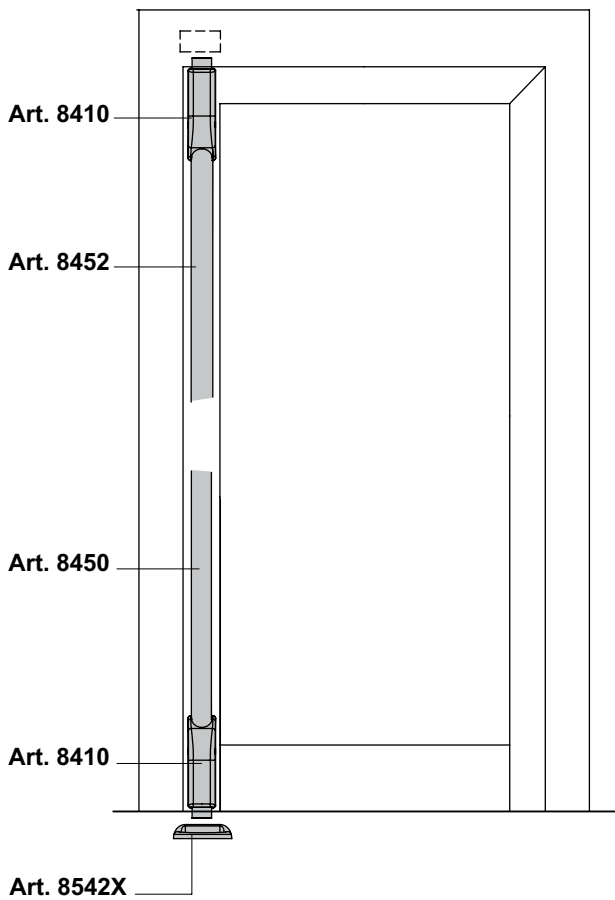
Art. 8442

Art. 8440

Art. 8410

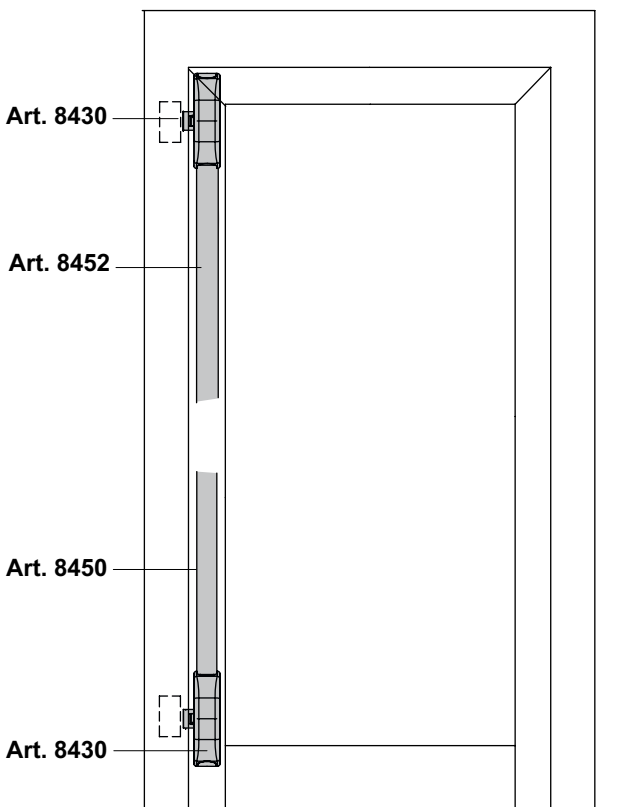
Art. 8542X





8890A

8890A		max 2500
		1 L=1500 ø 80



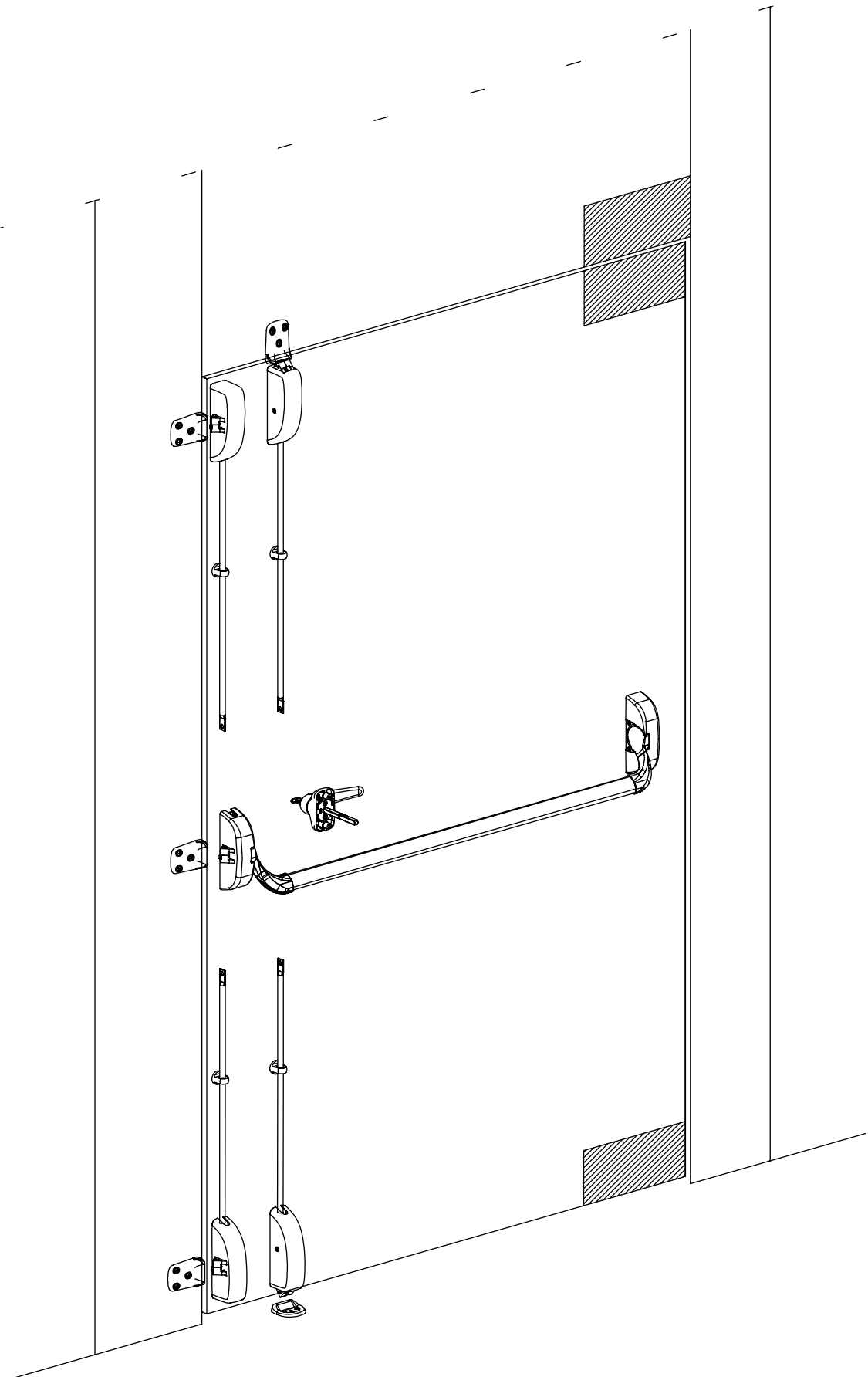
8892A

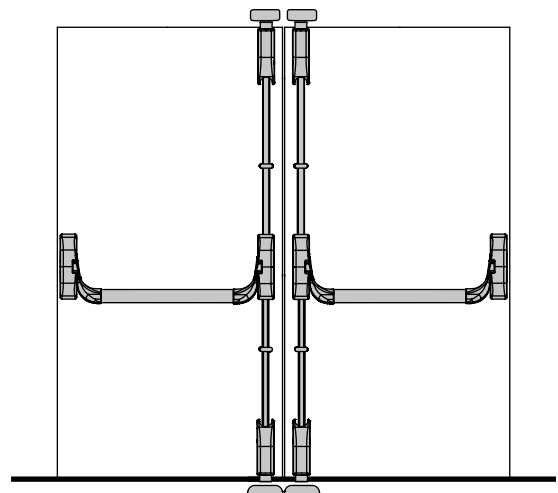
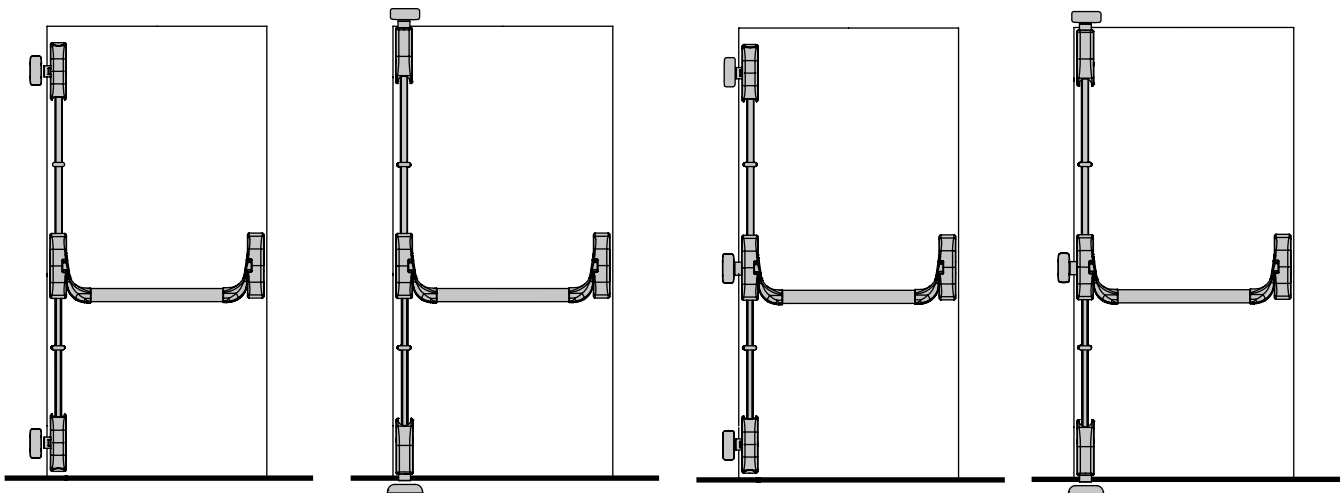
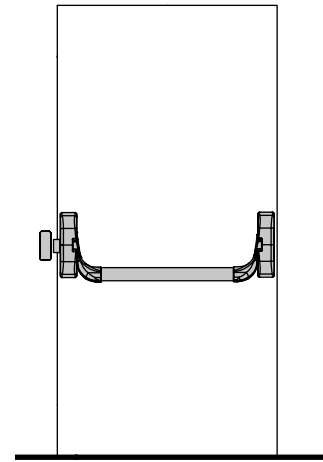
8892A		max 2500
		1 L=1500 ø 80

PANAMA GLASS

MANIGLIONE ANTIPANICO REVERSIBILE MODULARE PANAMA - MODULAR AND REVERSIBLE PANIC EXIT DEVICE PANAMA
ANTIPANIQUE RÉVERSIBLE MODULAIRE PANAMA - ANTIPANICO REVERSIBLE MODULAR PANAMA
PUXADOR ANTIPÁNICO REVERSÍVEL MODULAR PANAMA - REVERSÍBEL MODULAREN PANIKTÜR VERSCHLÜSS PANAMA
PANIEKSLUITING, OMKEERBAAR EN MODULAIR PANAMA - UNIWEERSALNY SYSTEM ANTYPANICZNY PANAMA
ΜΗΧΑΝΙΣΜΟΣ ΕΞΟΔΟΥ ΠΑΝΙΚΟΥ PANAMA - ΜΟΔΥΛΗΘΕ ΟΥΣΤΡΩΙΣΤΕΩ ΟΤΚΡΥΒΑΙΝΗΑ Β ΧΕΡΕΖΒΥΧΑΙΝΗΑ ΣΗΤΥΑΤΣΗΑ PANAMA
REVERZIBILNA MODULARNA ANTIPANIK RUCKA PANAMA

PANAMA 系列逃生门配件










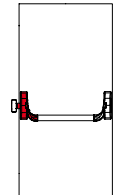
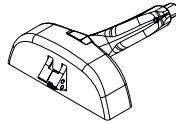
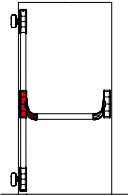
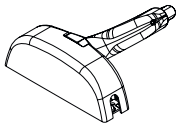
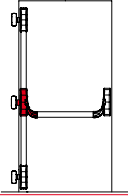
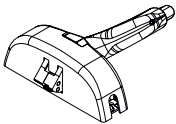
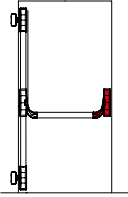
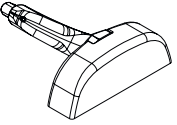
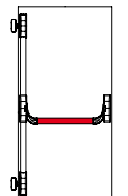
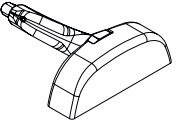
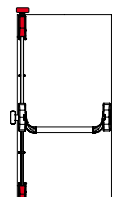

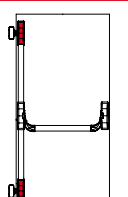

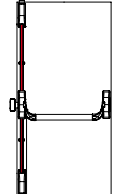

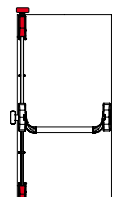

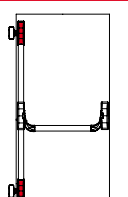
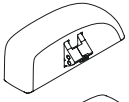
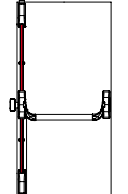
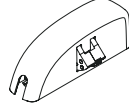
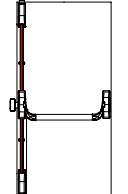
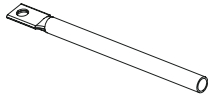
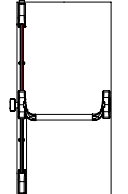
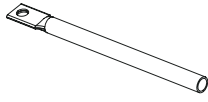
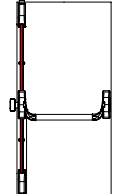
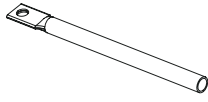
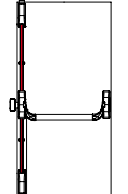
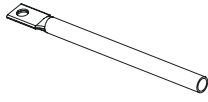












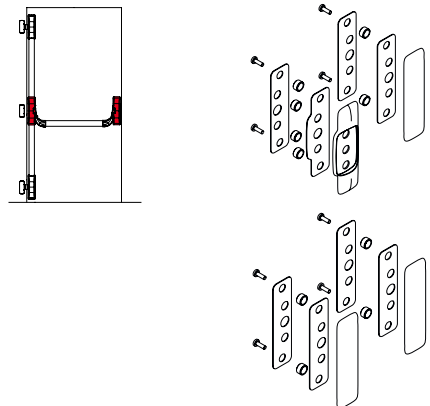
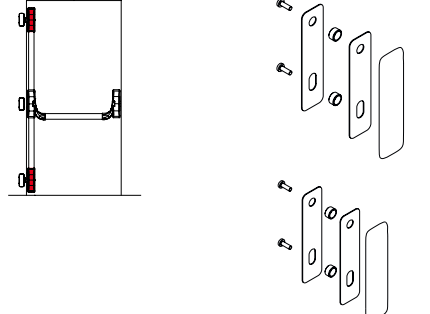


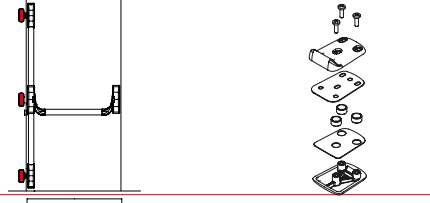

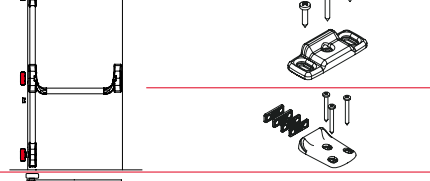
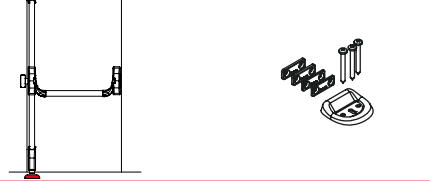
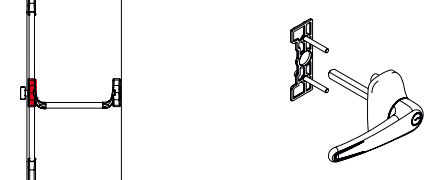


PANAMA GLASS

MANIGLIONE ANTIPANICO REVERSIBILE MODULARE PANAMA - MODULAR AND REVERSIBLE PANIC EXIT DEVICE PANAMA
 ANTIPANIQUE RÉVERSIBLE MODULAIRE PANAMA - ANTIPANICO REVERSIBLE MODULAR PANAMA
 PUXADOR ANTIPÁNICO REVERSÍVEL MODULAR PANAMA - REVERSÍBEL MODULIEN PANIKTÜR VERSCHLÜSS PANAMA
 PANIEKSLUITING, OMKEERBAAR EN MODULAIR PANAMA - UNIWEERSALNY SYSTEM ANTYPANICZNY PANAMA
 ΜΗΧΑΝΙΣΜΟΣ ΕΞΟΔΟΥ ΠΑΝΙΚΟΥ PANAMA - ΜΟΔΥΛΗΘΕ ΟΥΣΤΡΩΙΣΤΡΩ ΟΤΚΡΥΒΑΗΙΑ Β ΧΕΡΕΖΒΥΧΑΗΗΒΗΧ ΣΗΤΥΑΗΙΑΡΧ PANAMA
 REVERZIBILNA MODULARNA ANTI PANIK RUCKA PANAMA

PANAMA 系列逃生门配件

											
		8351	●				●		●		1
		8352	●						●		1
		8353	●				●		●		1
		8360							●		1
		8360A			●				●		1
		8105K									
		8110K							●	●	1
		8110XK									
		8362					●		●		1
		8363					●		●		1
		8364					●		●		1
		8380A									
		8380B									
		8380C							●		1
		8380D									

												
	8370A		●									
	8370B									●		1
	8370C	 Art. 8362									●	1
	8370D	 Art. 8363 Art. 8364										
	8375										●	1
	8382										●	1
	8504FK										●	
	8504X										●	●
	8508										●	
	8542AX										●	1
	8567A											1

PANAMA GLASS

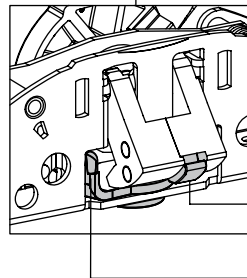
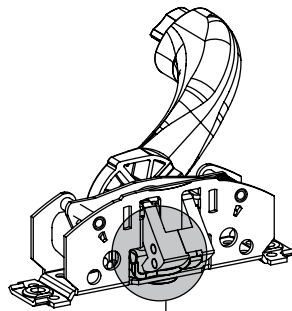
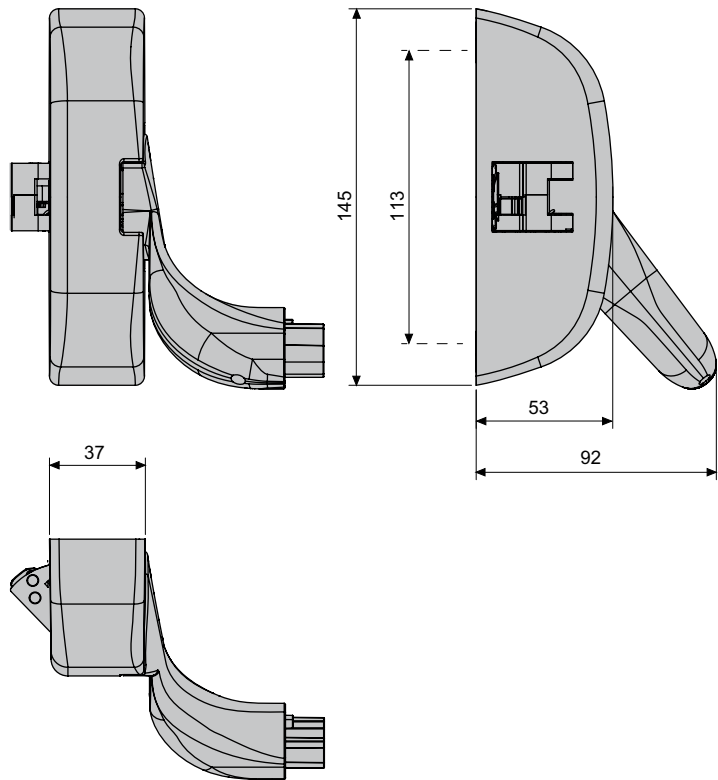
MANIGLIONE ANTIPANICO REVERSIBILE MODULARE PANAMA - MODULAR AND REVERSIBLE PANIC EXIT DEVICE PANAMA
 ANTIPANIQUE RÉVERSIBLE MODULAIRE PANAMA - ANTIPANICO REVERSIBLE MODULAR PANAMA
 PUXADOR ANTIPÁNICO REVERSÍVEL MODULAR PANAMA - REVERSÍBEL MODULIÉREN PANIKTÚR VERSCHLUSS PANAMA
 PANIEKSLUITING, OMKEERBAAR EN MODULAIR PANAMA - UNIWEERSALNY SYSTEM ANTYPANICZNY PANAMA
 ΜΗΧΑΝΙΣΜΟΣ ΕΞΟΔΟΥ ΠΑΝΙΚΟΥ PANAMA - ΜΟΔΥΛΗΘΕ ΟΥΣΤΡΩΙΣΤΕΟ ΟΤΚΡΥΒΑΝΗΙΑ Β ΧΕΡΕΖΒΥΧΑΙΝΗΙΑΧ ΣΗΤΥΑΤΣΙΩΝ PANAMA
 REVERZIBILNA MODULARNA ANTIPANIK RUCKA PANAMA

PANAMA 系列逃生门配件

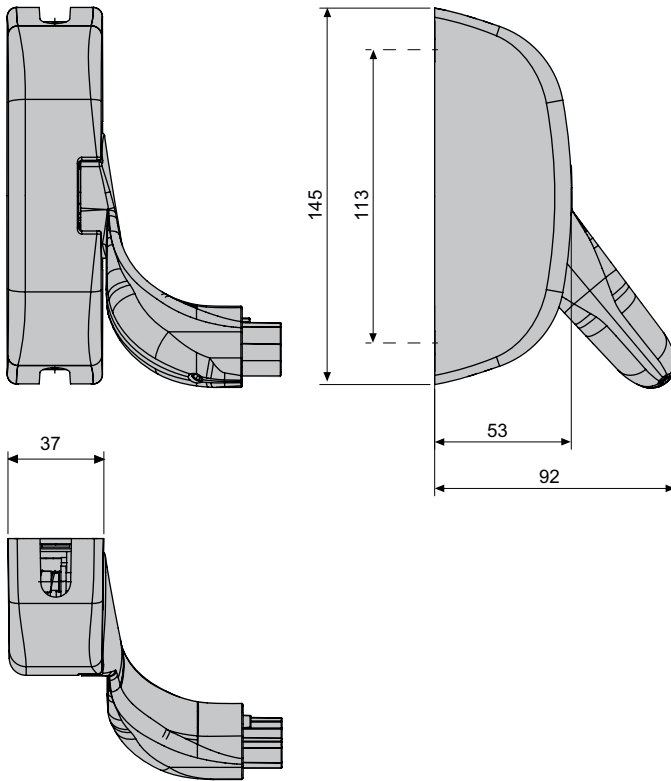
8351






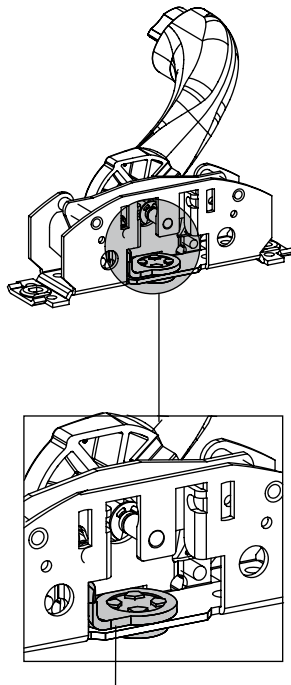
8351			
			1



8352



		
8352	 	1

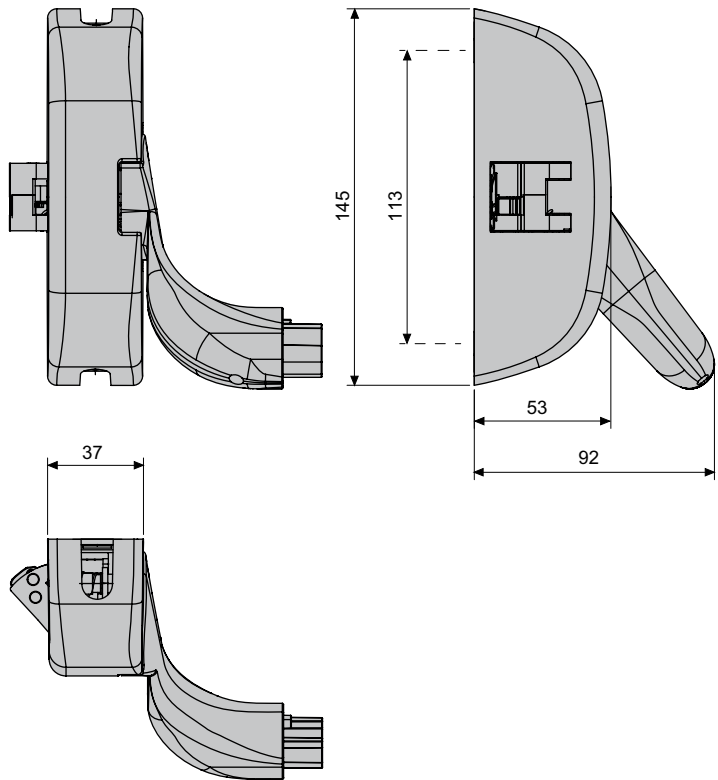


PANAMA GLASS

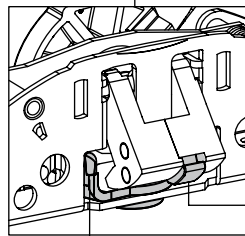
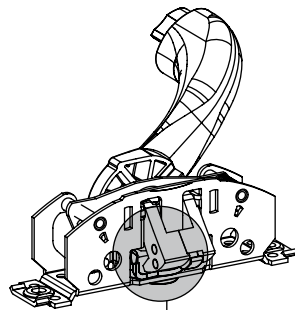
MANIGLIONE ANTIPANICO REVERSIBILE MODULARE PANAMA - MODULAR AND REVERSIBLE PANIC EXIT DEVICE PANAMA
 ANTIPANIQUE RÉVERSIBLE MODULAIRE PANAMA - ANTIPANICO REVERSIBILE MODULAR PANAMA
 PUXADOR ANTIPÁNICO REVERSÍVEL MODULAR PANAMA - REVERSIBEL MODULIERN PANIKTÜR VERSCHLÜSS PANAMA
 PANIEKSLUITING, OMKEERBAAR EN MODULAIR PANAMA - UNIWEERSALNY SYSTEM ANTYPANICZNY PANAMA
 ΜΗΧΑΝΙΣΜΟΣ ΕΞΟΔΟΥ ΠΑΝΙΚΟΥ PANAMA - ΜΟΔΥΛΗΘΕ ΟΥΣΤΡΩΙΣΤΕΟ ΟΤΚΡΥΒΑΝΗΡΙΑ Β ΧΕΡΕΖΒΥΧΑΗΝΗΧ ΣΗΤΥΑΤΣΙΟΝΧ PANAMA
 REVERZIBILNA MODULARNA ANTIPANIK RUCKA PANAMA

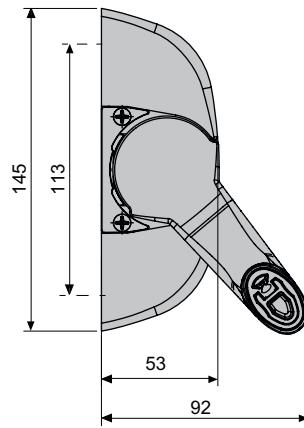
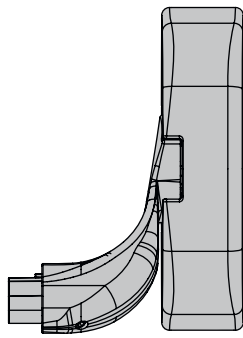
PANAMA 系列逃生门配件

8353

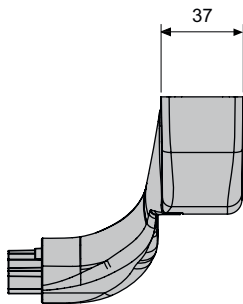


8353			
			1

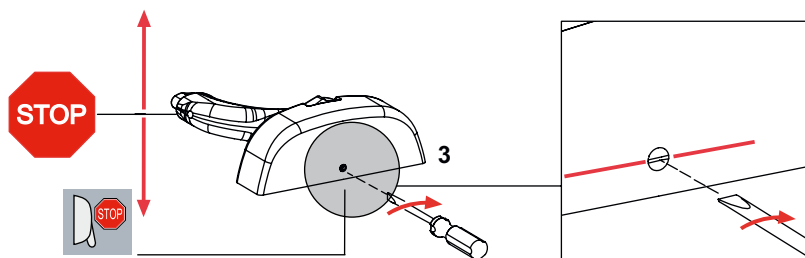
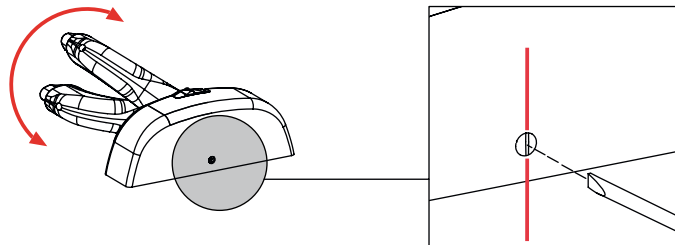
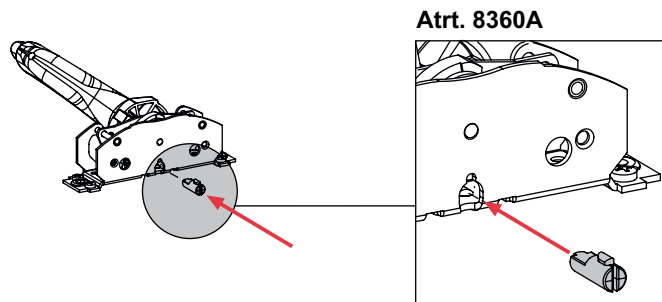




8360
8360A



		1
8360		1
8360A		1



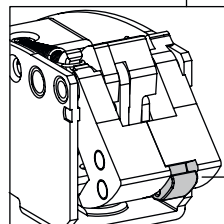
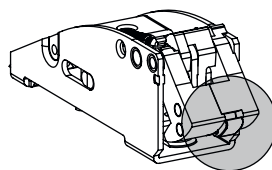
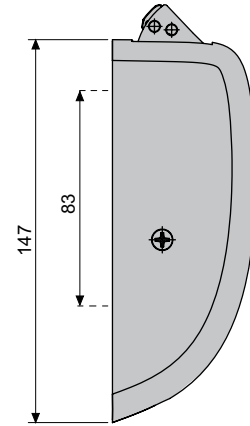
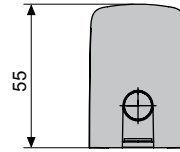
PANAMA GLASS

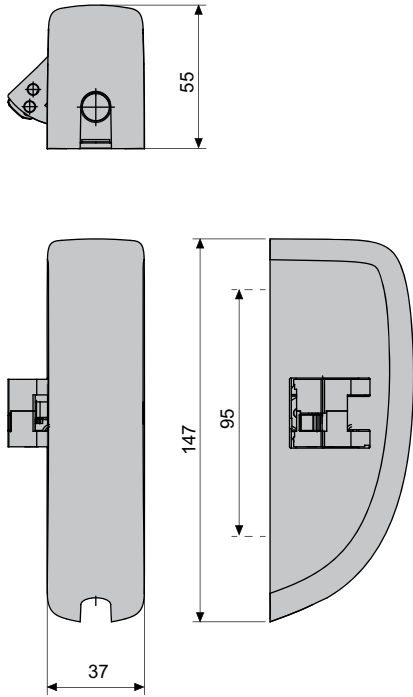
MANIGLIONE ANTIPANICO REVERSIBILE MODULARE PANAMA - MODULAR AND REVERSIBLE PANIC EXIT DEVICE PANAMA
 ANTIPANIQUE RÉVERSIBLE MODULAIRE PANAMA - ANTIPANICO REVERSIBLE MODULAR PANAMA
 PUXADOR ANTIPÁNICO REVERSÍVEL MODULAR PANAMA - REVERSÍBEL MODULIEREN PANIKTÜR VERSCHLÜSS PANAMA
 PANIEKSLUITING, OMKEERBAAR EN MODULAIR PANAMA - UNIWEERSALNY SYSTEM ANTYPANICZNY PANAMA
 ΜΗΧΑΝΙΣΜΟΣ ΕΞΟΔΟΥ ΠΑΝΙΚΟΥ PANAMA - ΜΟΔΥΛΪΟ ΕΥΣΤΡΩΪΣΤΟ ΟΤΚΡΥΒΑΪΝΑΙΑ Β ΧΕΡΕΖΒΥΧΑΪΝΗΪΧ ΣΪΤΥΑΪΪΟΝ Χ PANAMA
 REVERZIBILNA MODULARNA ANTI PANIK RUCKA PANAMA
 PANAMA 系列逃生门配件

8362



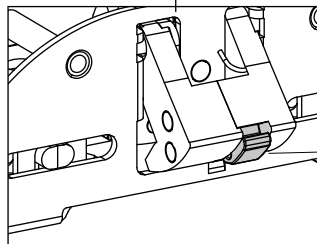
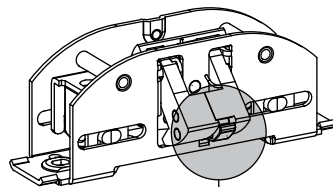
8362		1





8363
8364

8363			1
8364			1





PANAMA GLASS

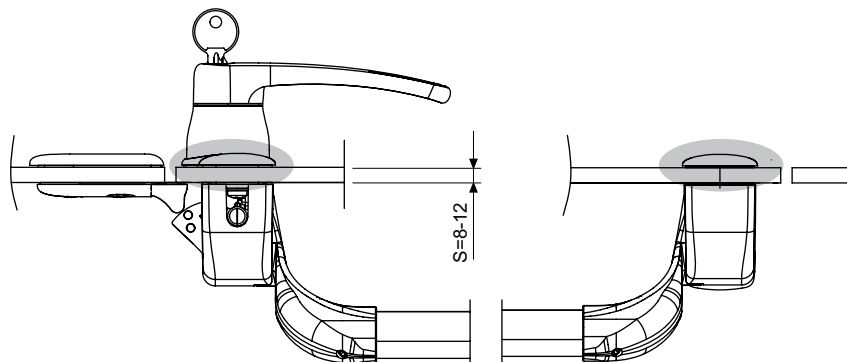
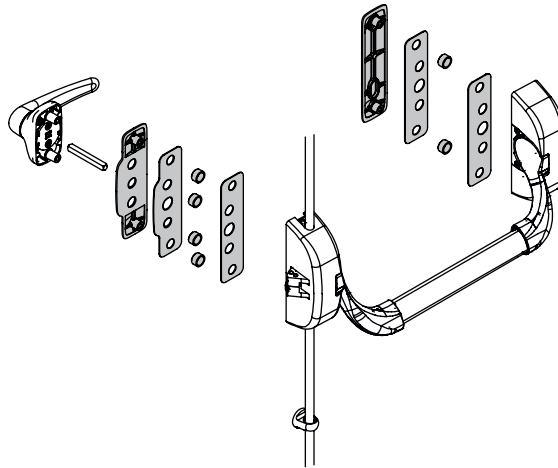
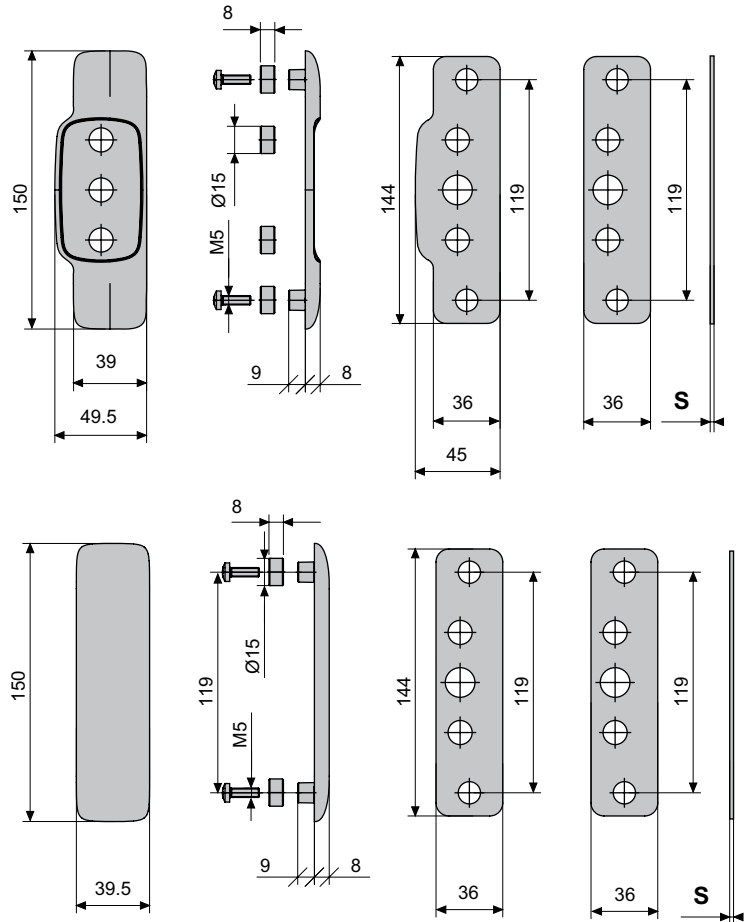
MANIGLIONE ANTIPANICO REVERSIBILE MODULARE PANAMA - MODULAR AND REVERSIBLE PANIC EXIT DEVICE PANAMA
 ANTIPANIQUE RÉVERSIBLE MODULAIRE PANAMA - ANTIPANICO REVERSIBILE MODULAR PANAMA
 PUXADOR ANTIPÁNICO REVERSÍVEL MODULAR PANAMA - REVERSIBEL MODULIEREN PANIKTÜR VERSCHLÜSS PANAMA
 PANIEKSLUITING, OMKEERBAAR EN MODULAIR PANAMA - UNIWEERSALNY SYSTEM ANTYPANICZNY PANAMA
 ΜΗΧΑΝΙΣΜΟΣ ΕΞΟΔΟΥ ΠΑΝΙΚΟΥ PANAMA - ΜΟΔΥΛΪΟ ΕΥΣΤΡΩΤΟ ΟΤΚΡΥΒΑΪΝΙΑ Β ΧΕΡΕΖΒΥΧΑΪΝΗΪΧ ΣΪΤΥΑΪΪΩΝ PANAMA
 REVERZIBILNA MODULARNA ANTIPIANIK RUČKA PANAMA

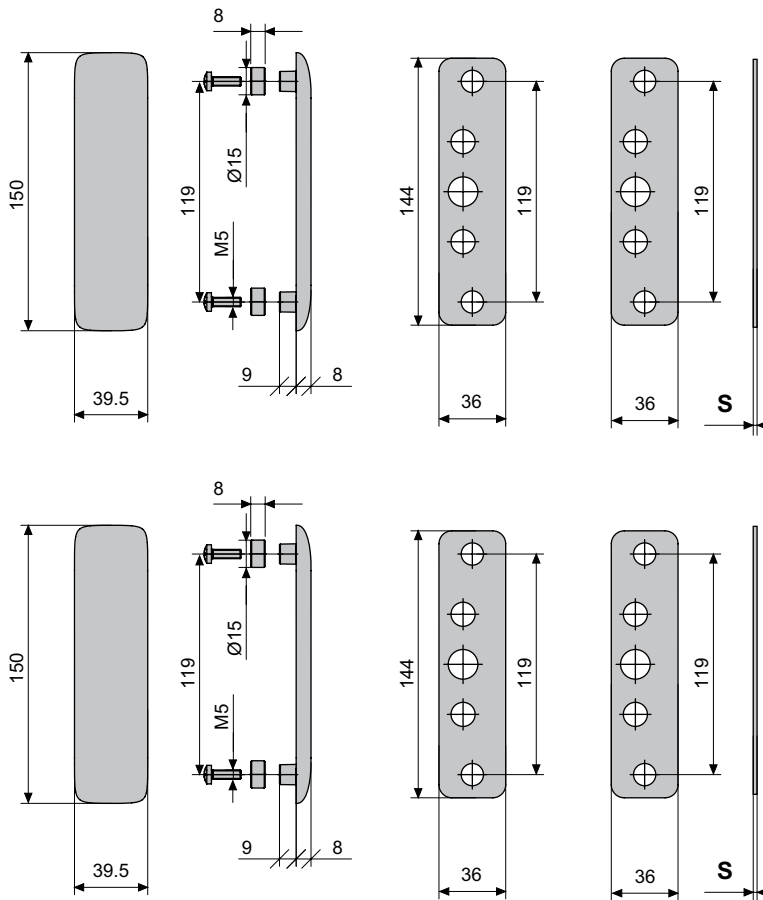
PANAMA 系列逃生门配件

8370A



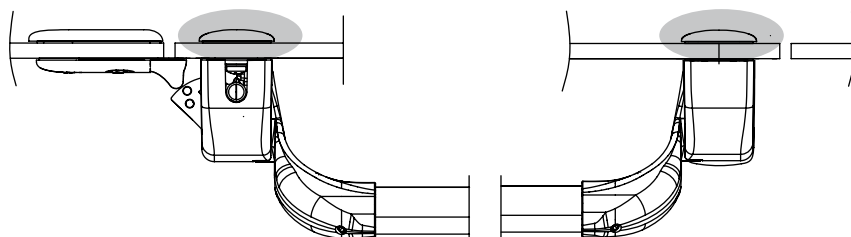
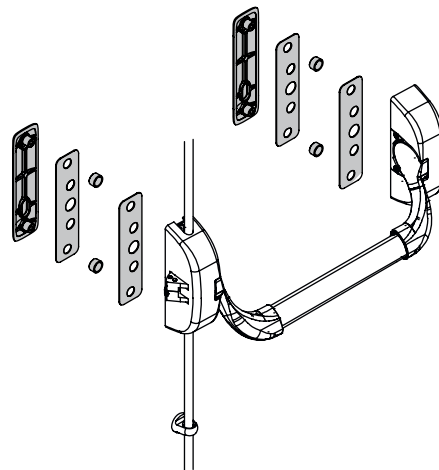
		S 	
8370A		1mm	1





8370B

		S	
8370B		1mm	1

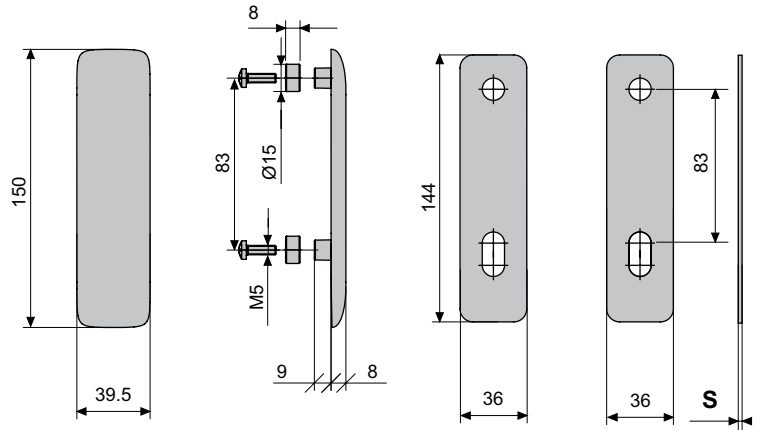


PANAMA GLASS

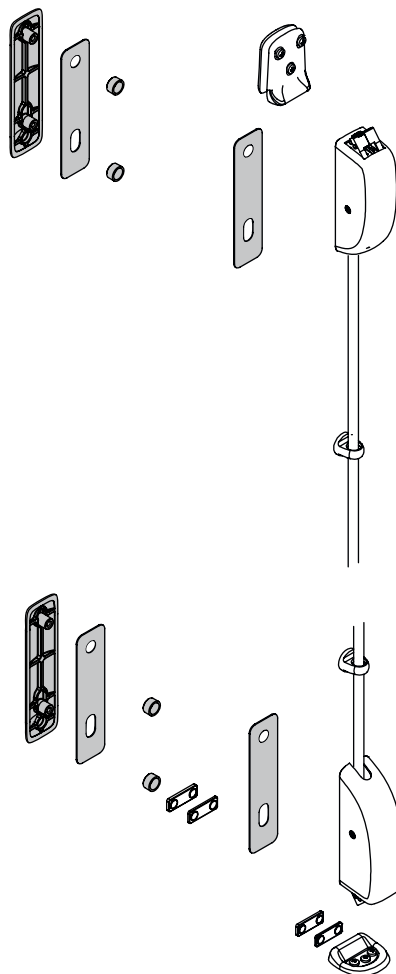
MANIGLIONE ANTIPANICO REVERSIBILE MODULARE PANAMA - MODULAR AND REVERSIBLE PANIC EXIT DEVICE PANAMA
 ANTIPANIQUE RÉVERSIBLE MODULAIRE PANAMA - ANTIPANICO REVERSIBILE MODULAR PANAMA
 PUXADOR ANTIPÁNICO REVERSÍVEL MODULAR PANAMA - REVERSÍBEL MODULIAREN PANIKTÜR VERSCHLÜSS PANAMA
 PANIEKSLUITING, OMKEERBAAR EN MODULAIR PANAMA - UNIWEERSALNY SYSTEM ANTYPANICZNY PANAMA
 ΜΗΧΑΝΙΣΜΟΣ ΕΞΟΔΟΥ ΠΑΝΙΚΟΥ PANAMA - ΜΟΔΥΛΗΘΕ ΟΥΣΤΡΟΙΣΤΒΟ ΟΤΚΡΥΒΑΝΗΙΑ Β ΧΕΡΕΖΒΥΧΑΙΝΗΙΧ ΣΗΤΥΑΤΣΙΩΝ PANAMA
 REVERZIBILNA MODULARNA ANTIPANIK RUCKA PANAMA

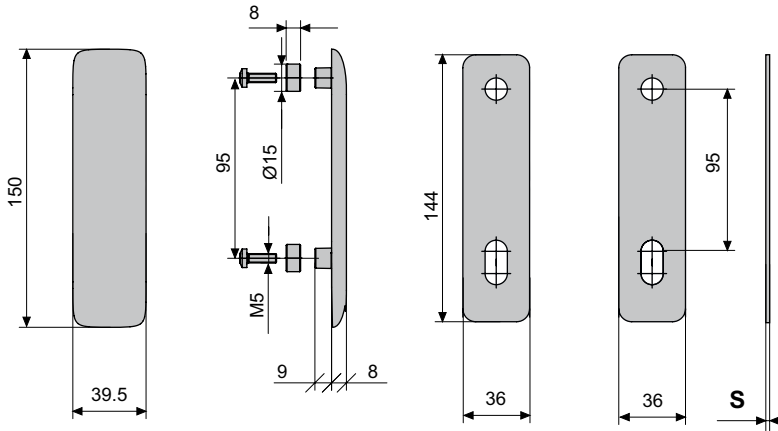
PANAMA 系列逃生门配件

8370C



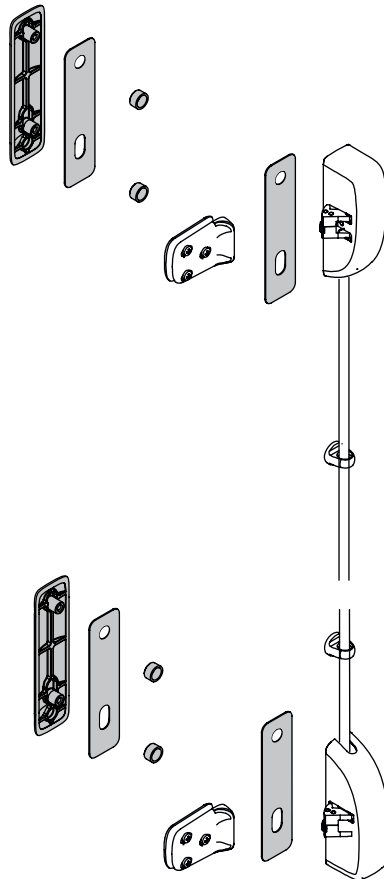
		S	
8370C		1mm	1





8370D

		S	
8370D		1mm	1



PANAMA GLASS

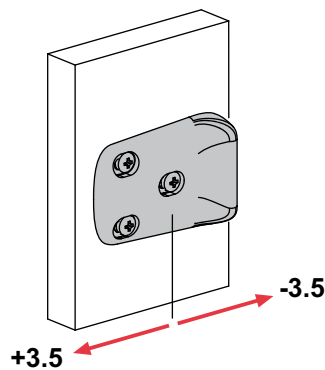
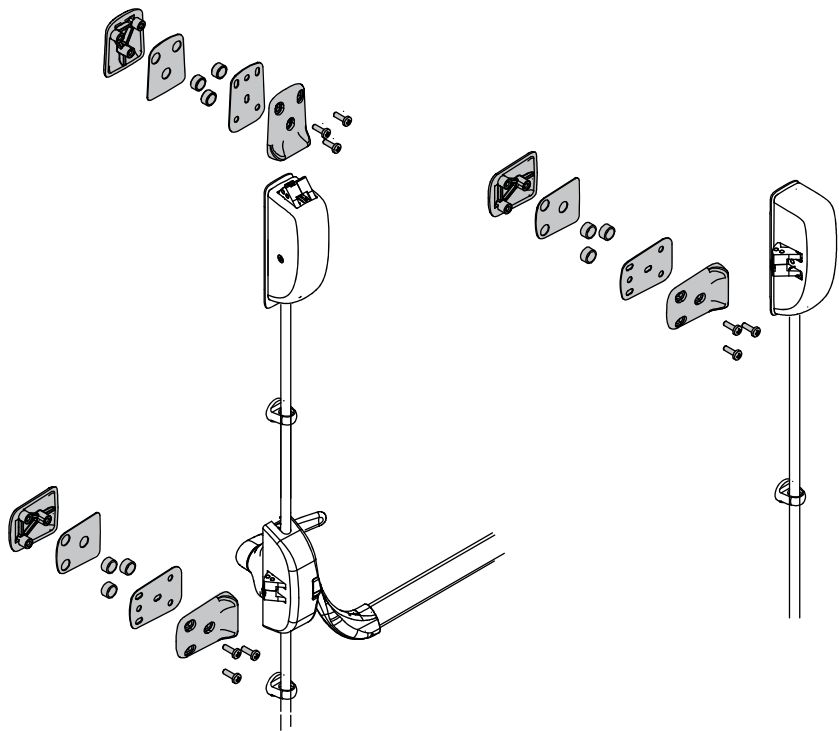
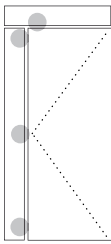
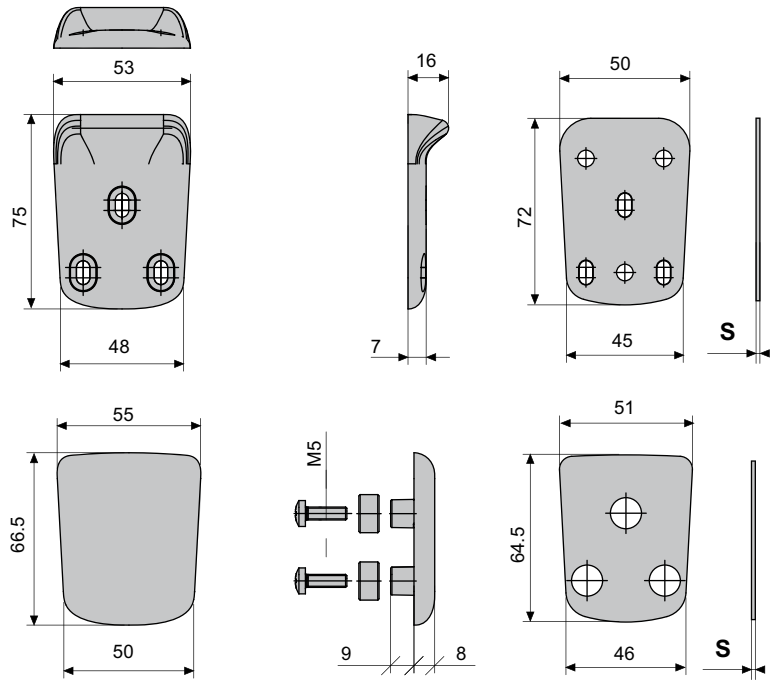
MANIGLIONE ANTIPANICO REVERSIBILE MODULARE PANAMA - MODULAR AND REVERSIBLE PANIC EXIT DEVICE PANAMA
 ANTIPANIQUE RÉVERSIBLE MODULAIRE PANAMA - ANTIPANICO REVERSIBILE MODULAR PANAMA
 PUXADOR ANTIPÁNICO REVERSÍVEL MODULAR PANAMA - REVERSÍBEL MODULIEREN PANIKTÜR VERSCHLÜSS PANAMA
 PANIEKSLUITING, OMKEERBAAR EN MODULAIR PANAMA - UNIWEERSALNY SYSTEM ANTYPANICZNY PANAMA
 ΜΗΧΑΝΙΣΜΟΣ ΕΞΟΔΟΥ ΠΑΝΙΚΟΥ PANAMA - ΜΟΔΥΛΗΘΕ ΟΥΣΤΡΟΙΣΤΡΩ ΟΤΚΡΥΒΑΗΙΑ Β ΧΕΡΕΖΒΥΧΑΙΗΝΥΧ ΣΙΤΥΑΤΙΩΝ PANAMA
 REVERZIBILNA MODULARNA ANTIPANIK RUCKA PANAMA

PANAMA 系列逃生门配件

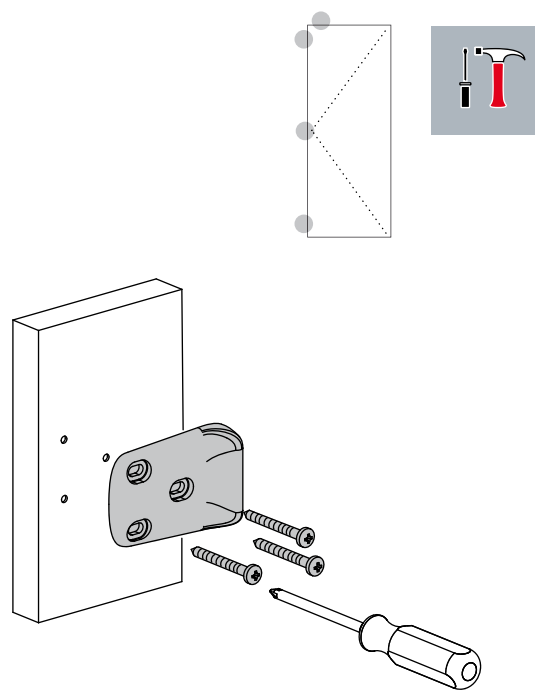
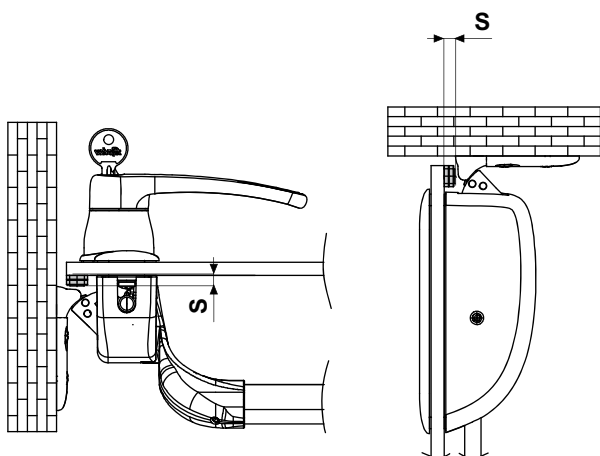
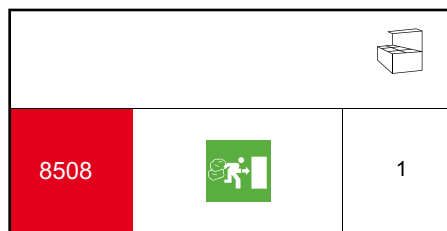
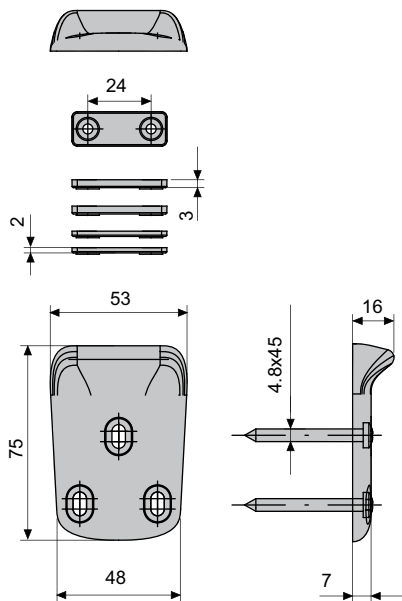
8375



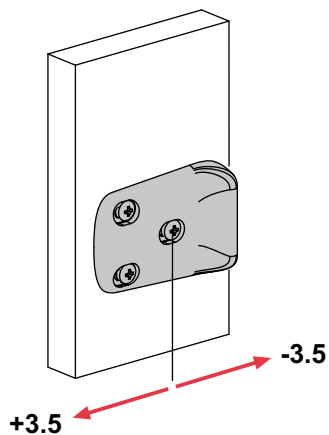
			S	
8375		1mm	1	



8508



S	
2	2
3	3
4	2+2
5	3+2
6	3+3
7	3+2+2
8	3+3+2
10	3+3+2+2

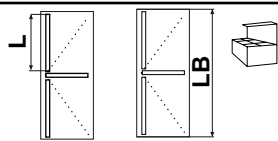


PANAMA GLASS

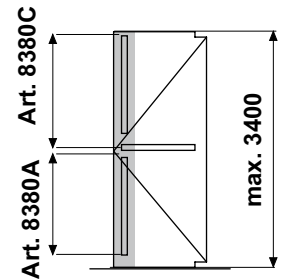
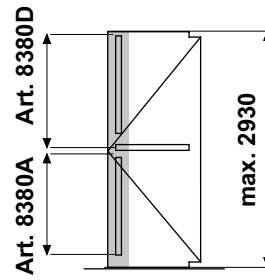
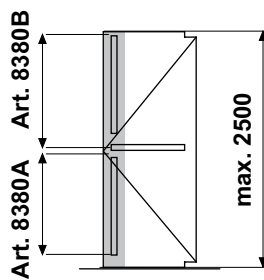
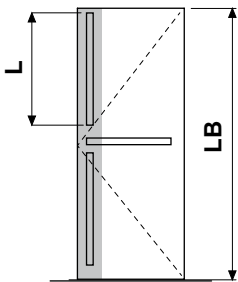
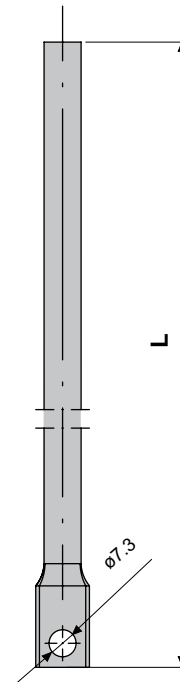
MANIGLIONE ANTIPANICO REVERSIBILE MODULARE PANAMA - MODULAR AND REVERSIBLE PANIC EXIT DEVICE PANAMA
 ANTIPANIQUE RÉVERSIBLE MODULAIRE PANAMA - ANTIPANICO REVERSIBLE MODULAR PANAMA
 PUXADOR ANTIPÁNICO REVERSÍVEL MODULAR PANAMA - REVERSÍBEL MODULIEREN PANIKTÜRVERSCHLUSS PANAMA
 PANIEKSLUITING, OMKEERBAAR EN MODULAIR PANAMA - UNIWEERSALNY SYSTEM ANTYPANICZNY PANAMA
 ΜΗΧΑΝΙΣΜΟΣ ΕΞΟΔΟΥ ΠΑΝΙΚΟΥ PANAMA - ΜΟΔΥΛΗΘΕ ΟΥΣΤΡΩΙΣΤΕΟ ΟΤΚΡΥΒΑΗΙΑ Β ΧΕΡΕΖΥΒΧΑΙΝΗΧ ΣΙΤΥΑΤΙΟΝΧ PANAMA
 REVERZIBILNA MODULARNA ANTIPANIK RUČKA PANAMA

PANAMA 系列逃生门配件

8380A
8380B
8380C
8380D



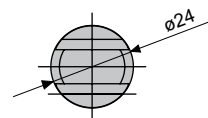
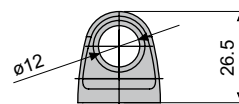
8380A		950		1
8380B		1365	2500	1
8380C		2300	3400	1
8380D		1800	2930	1

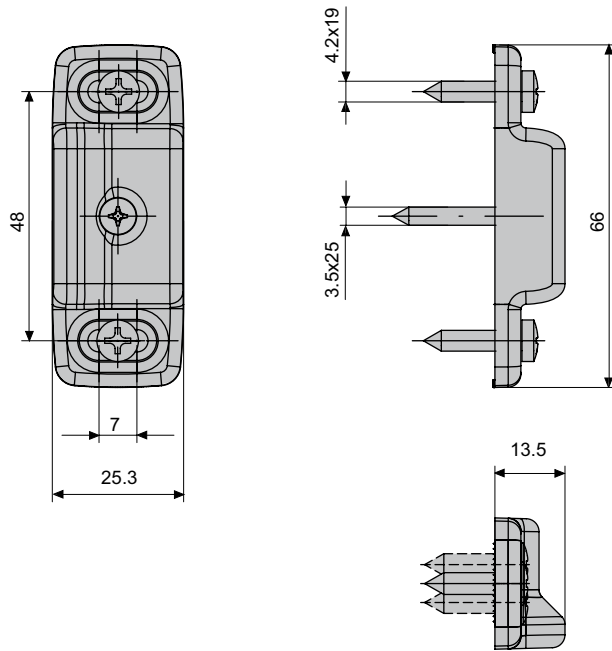


8382



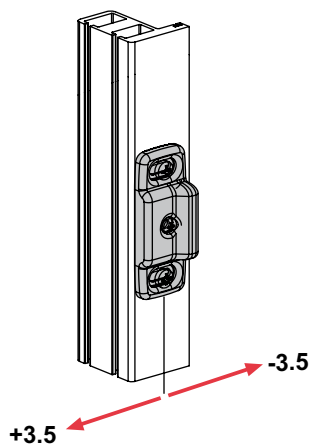
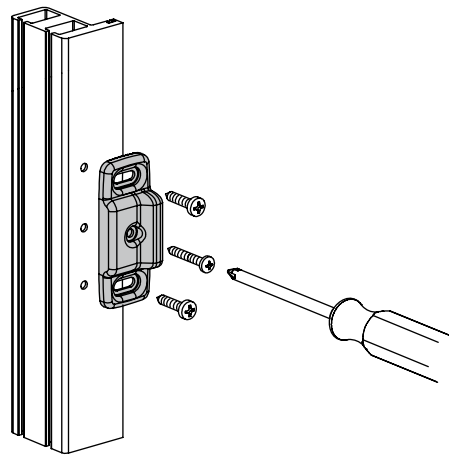
8382		1
------	--	---





8504X
8504FK

8504FK			1
8504X			



PANAMA GLASS

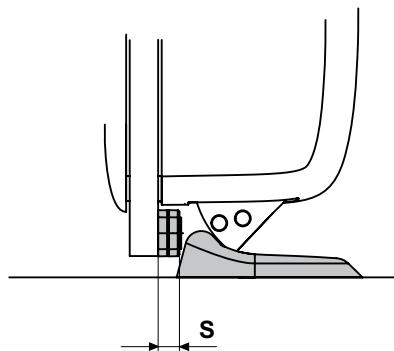
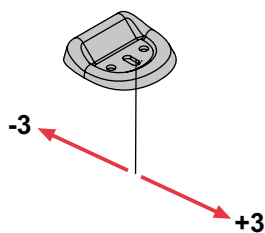
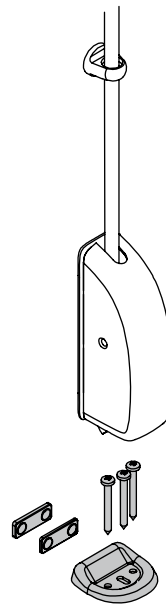
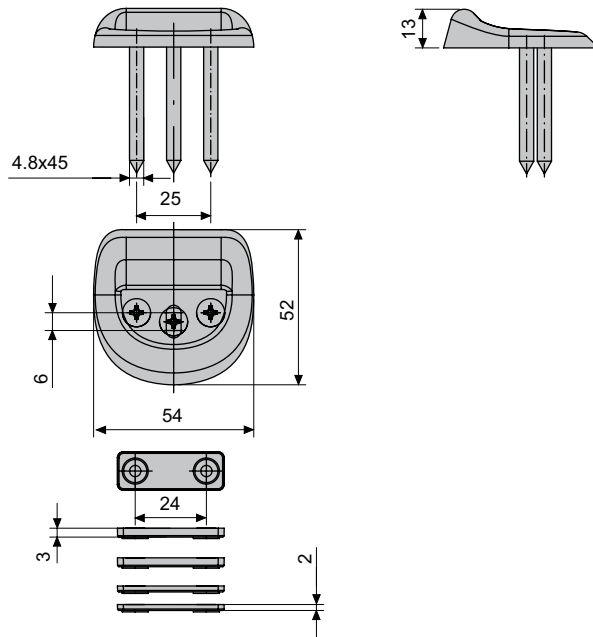
MANIGLIONE ANTIPANICO REVERSIBILE MODULARE PANAMA - MODULAR AND REVERSIBLE PANIC EXIT DEVICE PANAMA
 ANTIPANICO REVERSIBILE MODULARE PANAMA - ANTIPANICO REVERSIBLE MODULAR PANAMA
 PUXADOR ANTIPÁNICO REVERSÍVEL MODULAR PANAMA - REVERSÍBEL MODULIAREN PANIKTÜR VERSCHLÜSS PANAMA
 PANIEKSLUITING, OMKEERBAAR EN MODULAIR PANAMA - UNIÛERSALNY SYSTEM ANTYPANICZNY PANAMA
 ΜΗΧΑΝΙΣΜΟΣ ΕΞΟΔΟΥ ΠΑΝΙΚΟΥ PANAMA - ΜΟΔΥΛΉΟ ΕΥΣΤΡΟΪΣΤΡΟ ΟΤΚΡΥΪΒΑΪΝΙΑ Β ΧΕΡΕΖΪΒΥΧΑΪΝΪΧ ΣΪΤΥΑΪΪΑΧ PANAMA
 REVERZIBILNA MODULARNA ANTIPANIK RUCKA PANAMA

PANAMA 系列逃生门配件

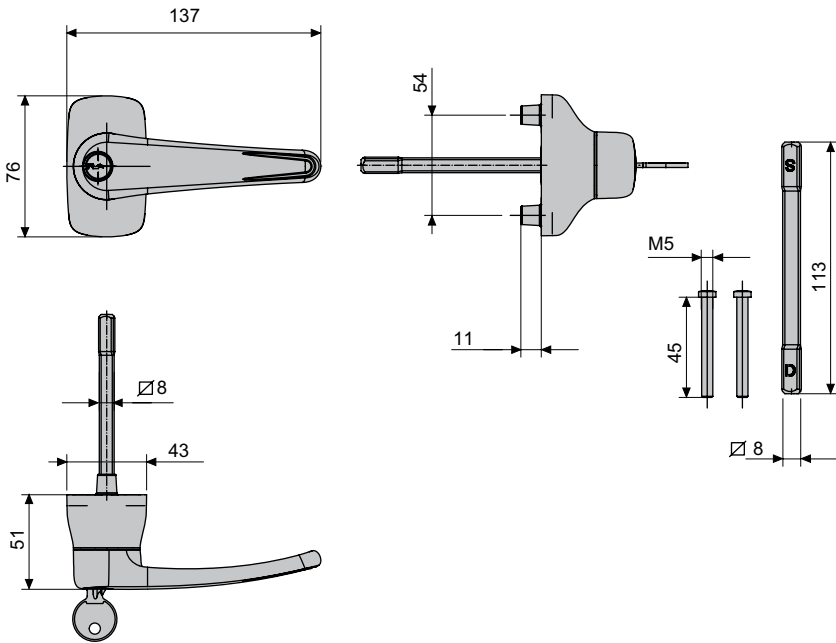
8542AX





8542AX			1

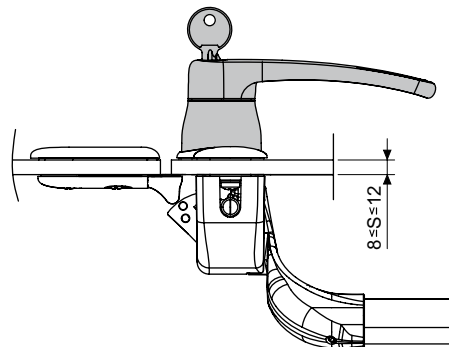
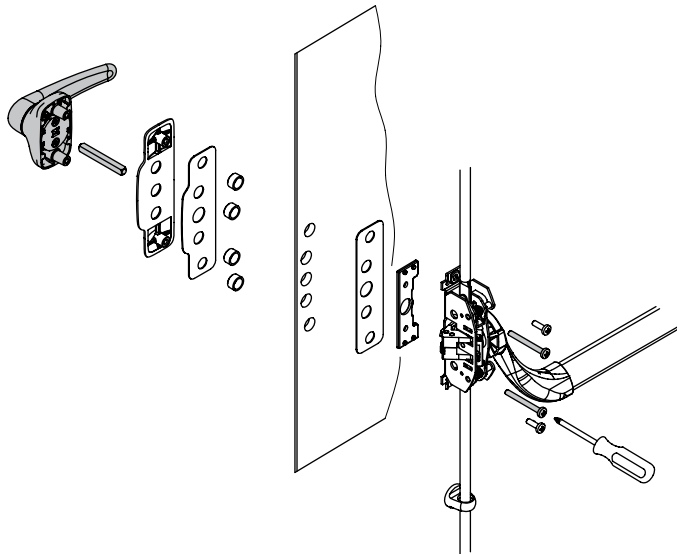


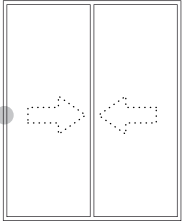
S	
2	2
3	3
4	2+2
5	3+2
6	3+3
7	3+2+2
8	3+3+2
10	3+3+2+2



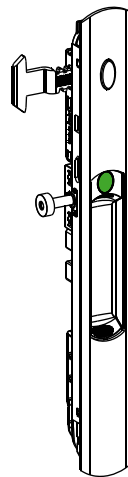
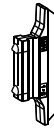
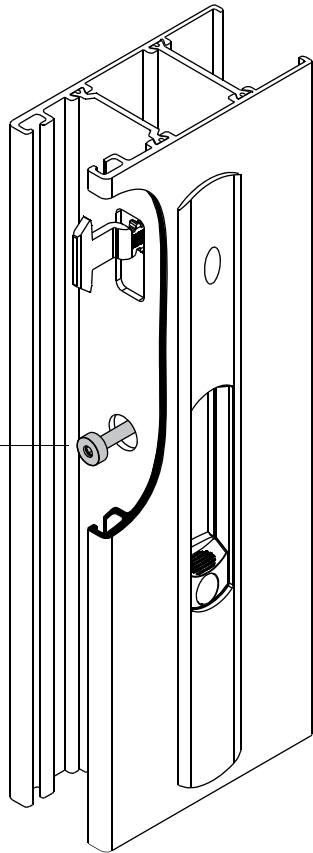
8567A

		
8567A		1

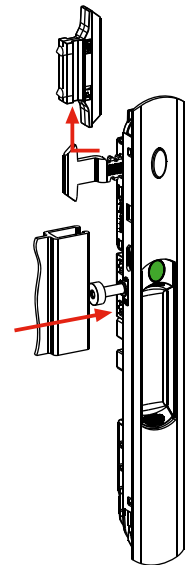




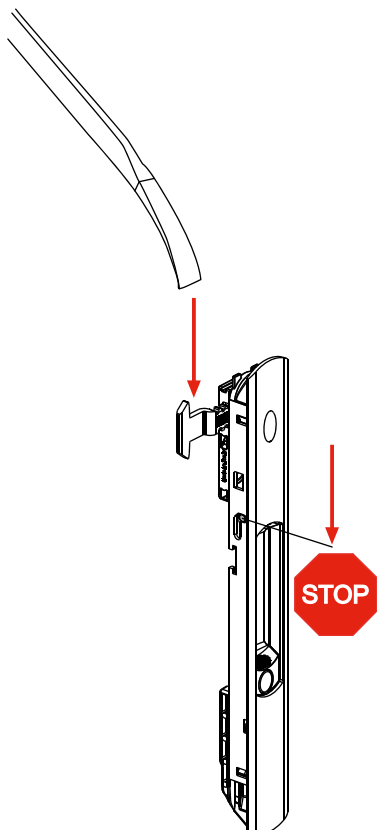
Art. 5020A
 Art. 5020B
 Art. 5020AA
 Art. 5020BA



STOP



OK



STOP

